

STAINLESS STEEL "ISLAND DINE" BAR COUNTERTOP



Features:

- 16 Gauge, Type 304 Stainless Steel
- Standard square edge design on all sides
- Entire countertop polished to a satin finish
- 39-1/2" overall width including shelf
- 23-1/2" wide counter deck
- 16" wide cantilevered serving shelf
- Mounting Brackets included

Model	Countertop Length	Approx. Wt.
ID-404RE	48"	115 lbs.
ID-406RE	72"	175 lbs.
ID-408RE	96"	245 lbs.
ID-4010RE	120"	295 lbs.



Cantilever Shelf is 6" above main deck

Custom Sizes Available!

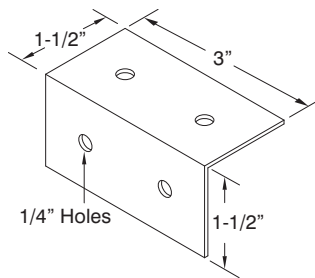
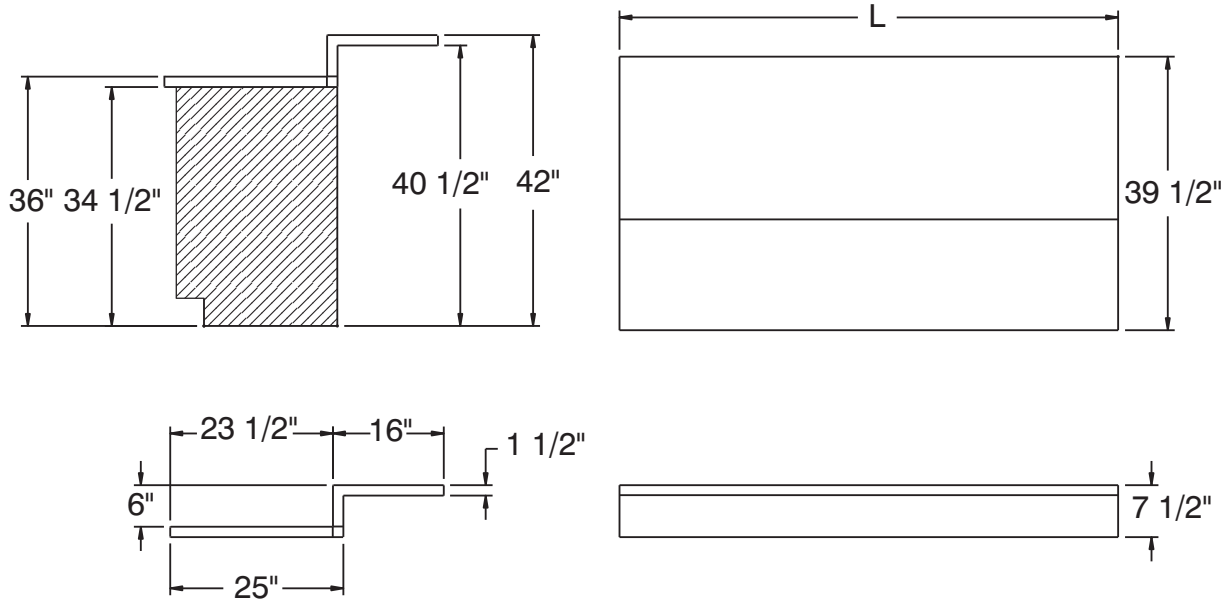
Professional Stainless Steel Products For Your Home

Toll Free Phone: 866-799-0106 • Toll Free Fax: 866-799-0249

www.alinebyadvancetabco.com

KaTom Restaurant Supply, Inc.

STAINLESS STEEL "ISLAND DINE" BAR COUNTERTOP



Mounting Bracket View

- 4 Mounting Brackets are included with countertops up to 7' in length
- 6 Mounting Brackets are included with countertops 8' or longer in length

Hat Channel Understructure View

(HAT CHANNELS ARE FLUSH WITH BOTTOM EDGE)

Length

Width

Countertop

Hat Channel

Counter is Finished on All Sides

A-Line™ Countertops Incorporate Steel Hat Channel Construction. No Wood is Used!

Professional Stainless Steel Products For Your Home

Toll Free Phone: 866-799-0106 • Toll Free Fax: 866-799-0249

www.alinebyadvancetabco.com