



STAINLESS STEEL

# FABRICATED SERVICE & MOP SINKS



9-OP-20 Shown



9-OP-40DF Shown



9-OP-40 Shown



Notched Out Front Allows Ease of Emptying Mop Bucket

Item #: \_\_\_\_\_ Qty #: \_\_\_\_\_  
 Model #: \_\_\_\_\_  
 Project #: \_\_\_\_\_

## FLOOR UNITS

### FEATURES:

Floor mounted unit eliminates the need of lifting heavy containers.  
 Tile edge furnished on the rear.  
 Bowls rectangular in design for increased capacity.

### CONSTRUCTION:

All TIG welded.  
 Welded areas blended to match adjacent surfaces and to a satin finish.

### MATERIAL:

16 Gauge type "304" series stainless steel sink bowl.  
 18 Gauge type "304" series stainless steel sink apron.

## STANDING UNITS

### FEATURES:

Leg mounted design.  
 High back splash.

### CONSTRUCTION:

All TIG welded.  
 Welded areas blended to match adjacent surfaces and to a satin finish.

### MATERIAL:

Heavy gauge type "304" series stainless steel.



Conventional

8-OP-16

Economy

4-OP-18



## 16" HIGH SIDE & BACK SPLASHES FOR 9-OP SERIES MOP SINKS

16 Gauge, 300 Series Stainless Steel  
 Available with Back & Left Side,  
 Back & Right Side or Back & Both Sides  
 (Mounting Hardware Included)

MODEL	Fits Units:	Height Above Finished Floor (A.F.F.)
K-288LorR	9-OP-20	26"
	9-OP-40	32"
K-290LorR	9-OP-28	26"
	9-OP-48	32"
<b>Splashes Available on All 3 Sides</b>		
K-298	9-OP-20	26"
	9-OP-40	32"
K-299	9-OP-28	26"
	9-OP-48	32"

## SERVICE & MOP SINK ACCESSORIES



### MOP DRAINAGE TRAY

- 16 Gauge, 300 Series Stainless Steel
- Includes Cast 1/2" Drain & Plastic Hose
- Wall Mounted (Hardware not Included)
- 2" Tray Height with 6" Rear Splash (Overall Height)

MODEL L x W x H Wt.  
 K-243 32" x 4" x 6" 13 lbs.

FLOW RATE  
 9.6 GPM/  
 36.3 LPM



K-240 SERVICE FAUCET

8" O.C.



K-16 FLOOR MOP SINK REPLACEMENT DRAIN



K-242 MOP HANGER - 23" Wide



### UTILITY SHELF - 8" WIDE

inches	mm	MODEL	Approx Wt	Approx Cubes
24"	610	K-245	12 lbs.	1
36"	914	K-246	15 lbs.	2



K-244 HOSE & HANGER



Customer Service Available To Assist You 1-800-645-3166 8:30 am - 8:00 pm E.S.T.

Email Orders To: customer@advancetabco.com. For Smart Fabrication™ Quotes, Email To: smartfab@advancetabco.com or Fax To: 631-586-2933

NEW YORK  
 Fax: (631) 242-6900

GEORGIA  
 Fax: (770) 775-5625

TEXAS  
 Fax: (972) 932-4795

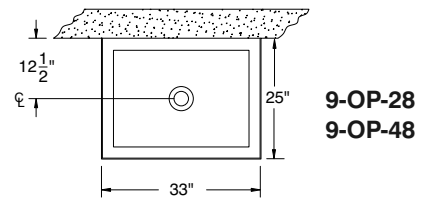
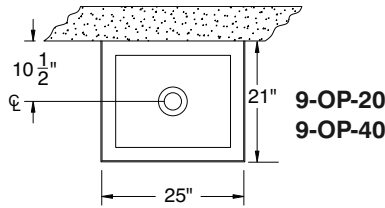
NEVADA  
 Fax: (775) 972-1578

# DIMENSIONS

TOL Overall:  $\pm .500''$   
 Interior:  $\pm .250''$

ALL DIMENSIONS ARE TYPICAL

## SUGGESTED INSTALLATION

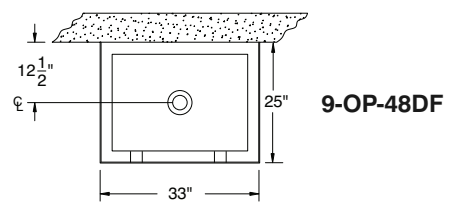
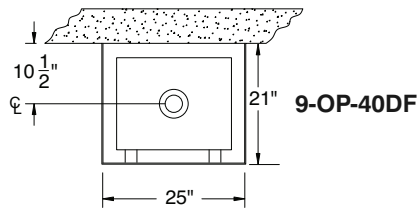


**9-OP-20:** 16" x 20" x 6" Bowl with 10" Overall Height. **Wt. 26 lbs.**

**9-OP-28:** 20" x 28" x 6" Bowl with 10" Overall Height. **Wt. 35 lbs.**

**9-OP-40:** 16" x 20" x 12" Bowl with 16" Overall Height. **Wt. 45 lbs.**

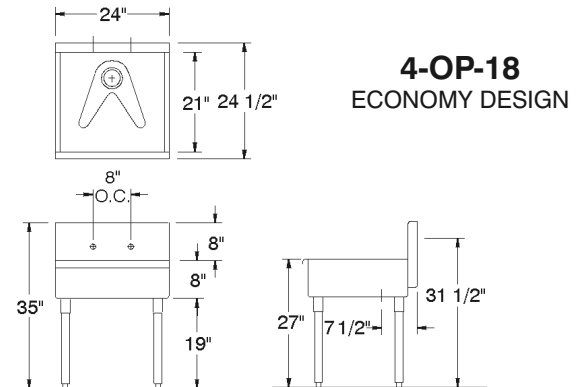
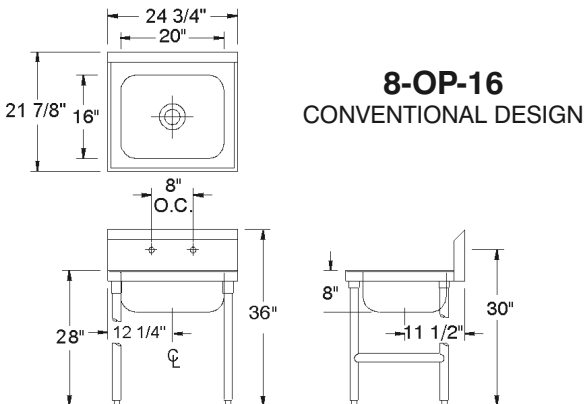
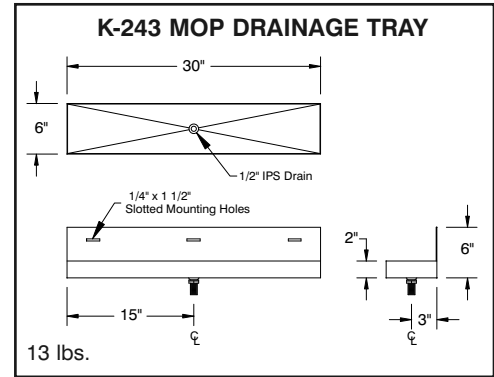
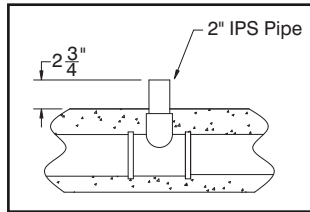
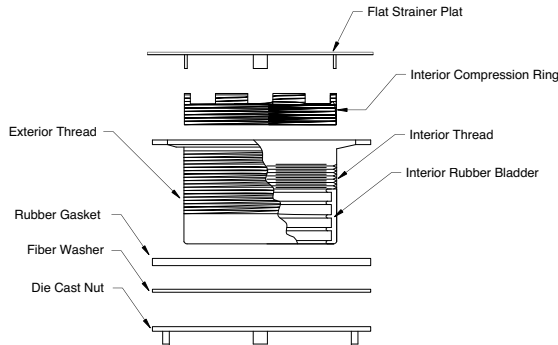
**9-OP-48:** 20" x 28" x 12" Bowl with 16" Overall Height. **Wt. 63 lbs.**



**9-OP-40DF:** 16" x 20" x 12" Bowl with 16" Overall Height. **Wt. 45 lbs.**

**9-OP-48DF:** 20" x 28" x 12" Bowl with 16" Overall Height. **Wt. 63 lbs.**

## MOP SINK DRAIN ASSEMBLY



1 1/2" IPS

