



K-22 LAVATORY FAUCET

Conforms To NSF 61/9 Lead Free Requirements



Item #: _____ Qty #: _____
 Model #: _____
 Project #: _____

FEATURES:

- 4" O.C. water supply.
- Wedge style handles.
- Colored hot & cold Indexes.
- 1.0 GPM/3.8 LPM Aerator. 60 PSI.

MATERIAL:

- Brass chrome plated body & spout.
- Chrome plated handles.



[Click This Link To View Assembly Sheet](#)

**FAUCET AERATOR CONFORM TO
 ASTM.A112.18.1M • 1.0 GPM/3.8 LP
 THREAD: 55/64 - 27 FEMALE**

Options & Accessories

Low Flow Aerator

.5 GPM

K-08



Faucet Repair Kit*

K-00B (Set of 2)

Includes 2 Cartridges and 2 Handles
 With Red & Blue Indexes



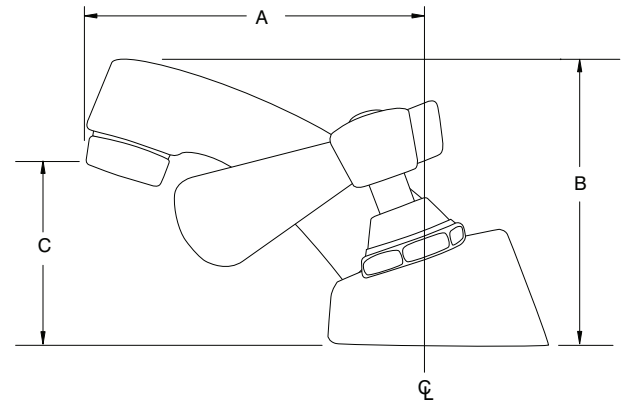
Wrist Handles*

K-316-LU (Set of 2)



**Can Only Be Used On Faucets Purchased After January 2016.
 For Older Faucets, Consult Customer Service.*

DIMENSIONS and SPECIFICATIONS



A	B	C	On Center Dimensions
Length	Height		
3 1/2"	3"	2"	4" O.C.

WARNING:

Faucet(s) on this page may expose you to chemicals, including lead, that are known to the State of California to cause cancer or birth defects or other reproductive harm. For more info., visit www.p65warnings.ca.gov.



Customer Service Available To Assist You 1-800-645-3166 8:30 am - 7:00 pm E.S.T.

For Orders & Customer Service:

Email: customer@advancetabco.com or Fax: 631-242-6900

For Smart Fabrication™ Quotes:

Email: smartfab@advancetabco.com or Fax: 631-586-2933