



STAINLESS STEEL

# FABRICATED FLOOR MOP SINKS

Item #: \_\_\_\_\_ Qty #: \_\_\_\_\_  
 Model #: \_\_\_\_\_  
 Project #: \_\_\_\_\_



**Standard Mop Sink**  
9-OP-20 Shown



**Drop Front Mop Sink**  
9-OP-40DF Shown

**FEATURES:**

Floor mounted unit eliminates the need of lifting heavy containers.  
 Tile edge furnished on the rear.  
 Bowls rectangular in design for increased capacity.  
**K-16** Free Flow Drain is included with each mop sink.

**-DF models** feature a notched out front which allows for ease of emptying mop bucket)

**CONSTRUCTION:**

All TIG welded.  
 Welded areas blended to match adjacent surfaces and to a satin finish.

**MATERIAL:**

16 Gauge type "304" series stainless steel sink bowl & Apron.



Notched Out Front Allows Ease of Emptying Mop Bucket



Fabricated Bowls are Welded Together at the Seams

	Model #	Bowl Size (A x B x C)	O.A. Dimension (W x L x H)	Drain Distance (E)	Drain Distance (F)	Approx. Wt.	Approx. Cu.
<b>STANDARD</b>	9-OP-20	16" x 20" x 6"	21" x 25" x 10"	10-1/2"	12-1/2"	33 lbs.	4
	9-OP-28	20" x 28" x 6"	25" x 33" x 10"	12-1/2"	16-1/2"	47 lbs.	7
	9-OP-40	16" x 20" x 12"	21" x 25" x 16"	10-1/2"	12-1/2"	45 lbs.	6
	9-OP-48	20" x 28" x 12"	25" x 33" x 16"	12-1/2"	16-1/2"	62 lbs.	9
<b>LARGE BOWL</b>	9-OP-44	24" x 24" x 12"	29" x 29" x 16"	14-1/2"	14-1/2"	70 lbs.	9
<b>DROP FRONT</b>	9-OP-40DF	16" x 20" x 12"	18-1/2" x 25" x 16"	10-1/2"	12-1/2"	85 lbs.	9
	9-OP-48DF	20" x 28" x 12"	22-1/2" x 33" x 16"	12-1/2"	16-1/2"	110 lbs.	15

## MOP SINK ACCESSORIES

### 16" High Side & Back Splashes for 9-OP Series Mop Sinks

Splashes on All 3 Sides

Model #	Fits Units:	Model #	Fits Units:
K-298	9-OP-20 9-OP-40	K-298D	9-OP-40DF
K-299	9-OP-28 9-OP-48	K-299D	9-OP-48DF
K-300	9-OP-44	-	-

Splash on Left or Right & Back

Model #	Fits Units:	Model #	Fits Units:
K-288LorR	9-OP-20 9-OP-40	K-288LDorRD	9-OP-40DF
K-290LorR	9-OP-28 9-OP-48	K-290LDorRD	9-OP-48DF
K-291LorR	9-OP-44	-	-



Left & Right Splashes Shown

**Height Above Finished Floor (A.F.F.)**

9-OP-20/9-OP-28 = 26" High    9-OP-40/9-OP-40DF/9-OP-44/9-OP-48/ 9-OP-48DF = 32" High

- K-16 Replacement drain for floor mop sinks
- K-240 Service Faucet\*
- K-242 23" wide mop hanger
- K-243 Stainless steel mop drainage tray
- K-244 Hose and hanger
- K-245 8" x 24" utility shelf
- K-246 8" x 36" utility shelf



\*Does not meet Federal Lead Free Standards as it is not intended for potable water.



Customer Service Available To Assist You **1-800-645-3166** 8:30 am - 7:00 pm E.S.T.

For Orders & Customer Service:  
 Email: customer@advancetabco.com or Fax: 631-242-6900

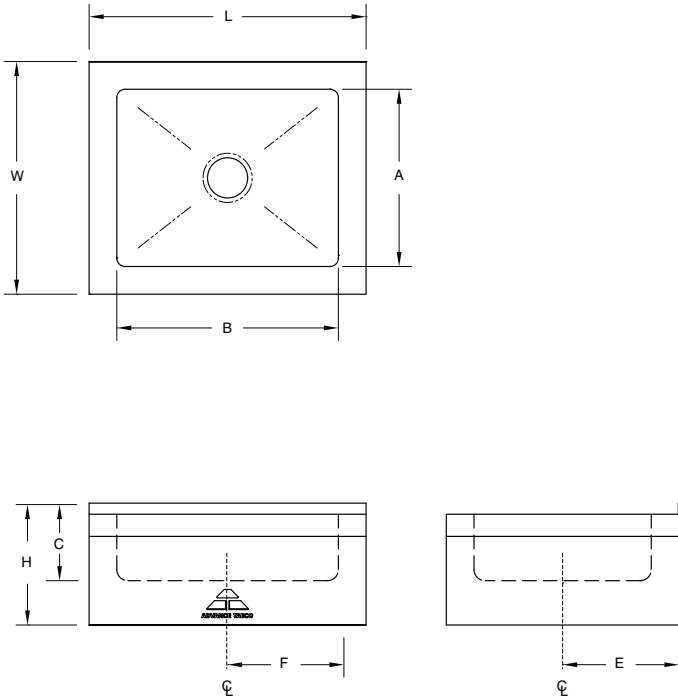
For Smart Fabrication™ Quotes:  
 Email: smartfab@advancetabco.com or Fax: 631-586-2933

# DIMENSIONS and SPECIFICATIONS

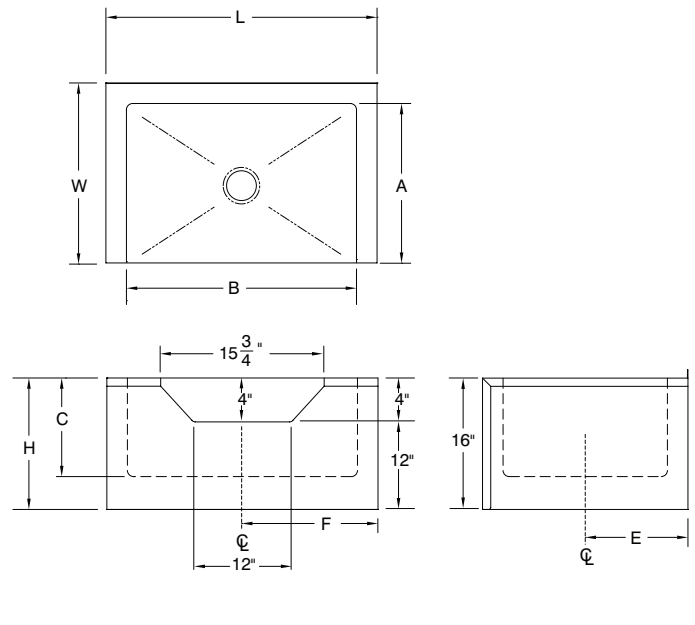
TOL Overall:  $\pm .500''$   
 Interior:  $\pm .250''$

ALL DIMENSIONS ARE TYPICAL

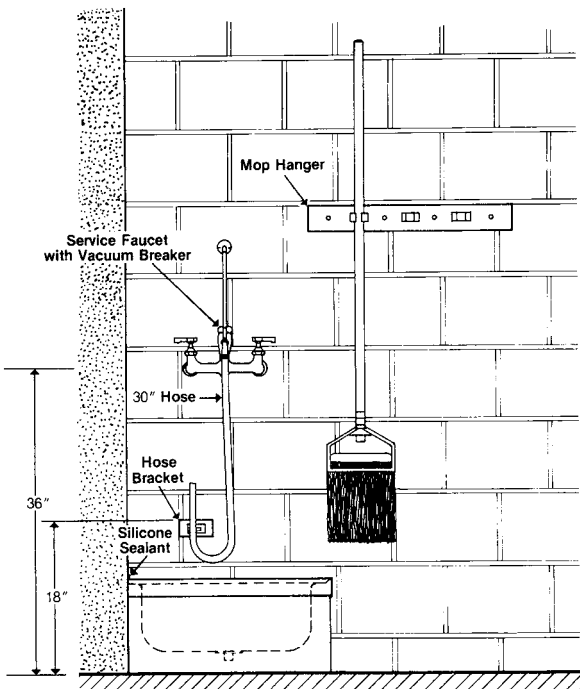
## STANDARD MOP SINK



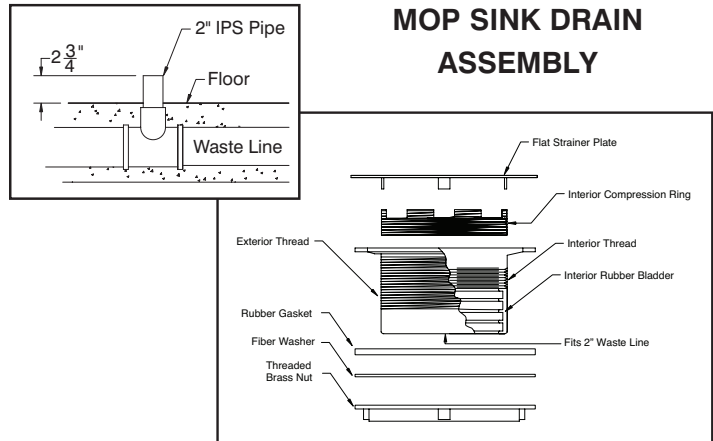
## DROP FRONT MOP SINK



## SUGGESTED INSTALLATION



## MOP SINK DRAIN ASSEMBLY



## K-243 MOP DRAINAGE TRAY

13 lbs.

