

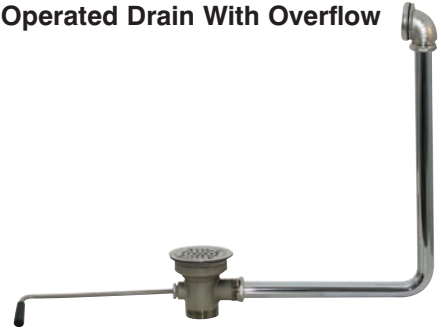
SINK DRAINS & ACCESSORIES

Twist Handle Operated Drain



K-5

Twist Handle Operated Drain With Overflow



K-15

Lever Operated Drains For Hand Sinks

with Overflow



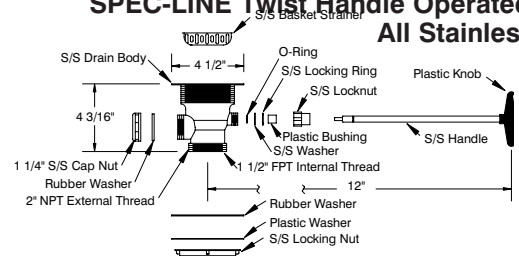
K-26

No Overflow



K-67

**SPEC-LINE Twist Handle Operated Drain
All Stainless Steel**



K-40

3-1/2" Basket Drain



K-6

**2" Drain with
Strainer Plate**



K-63

Replacement Drain Basket For K-6



K-310

Twist Drain Support Bracket



K-4

**Replacement Strainer
For 3-1/2" Drains**



K-410

**Replacement Strainer
For 2" Drains**

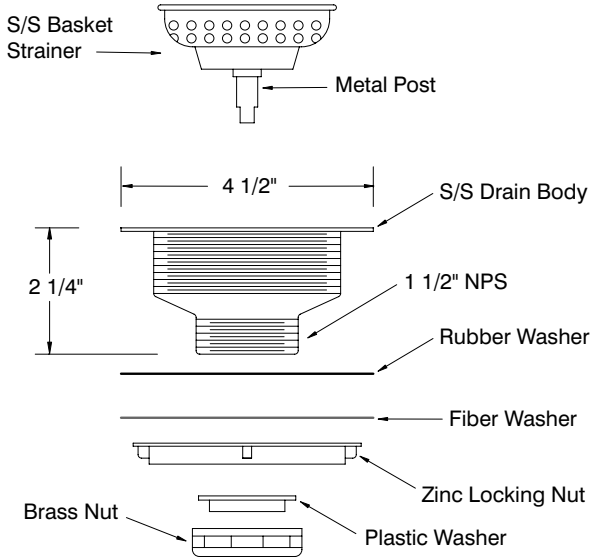


K-411

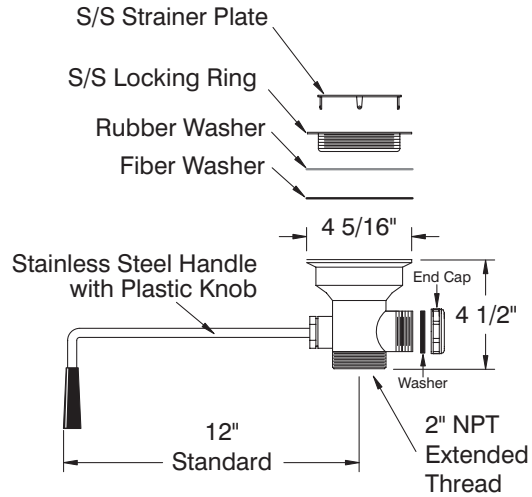
DIMENSIONS and SPECIFICATIONS

TOL ± .125"

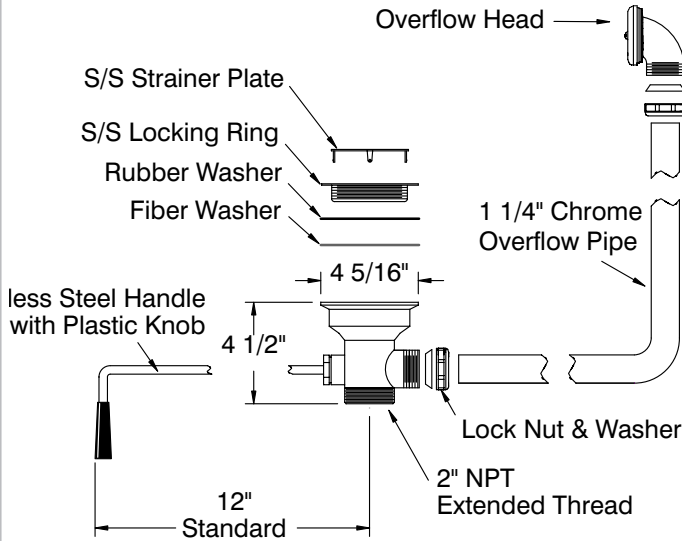
ALL DIMENSIONS ARE TYPICAL



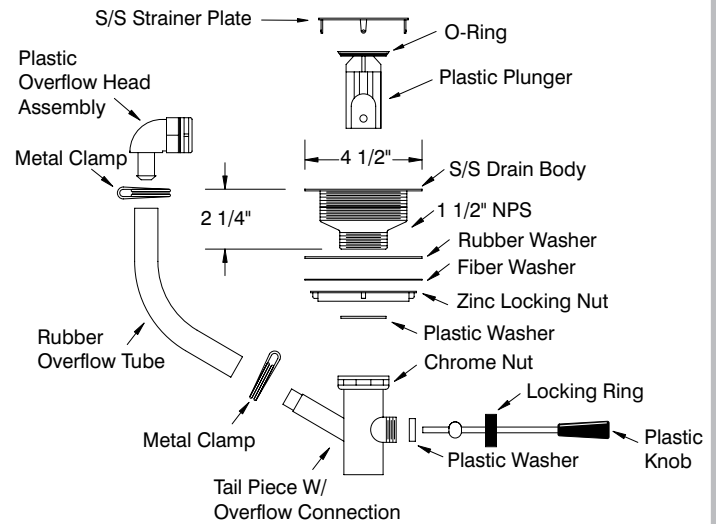
K-6



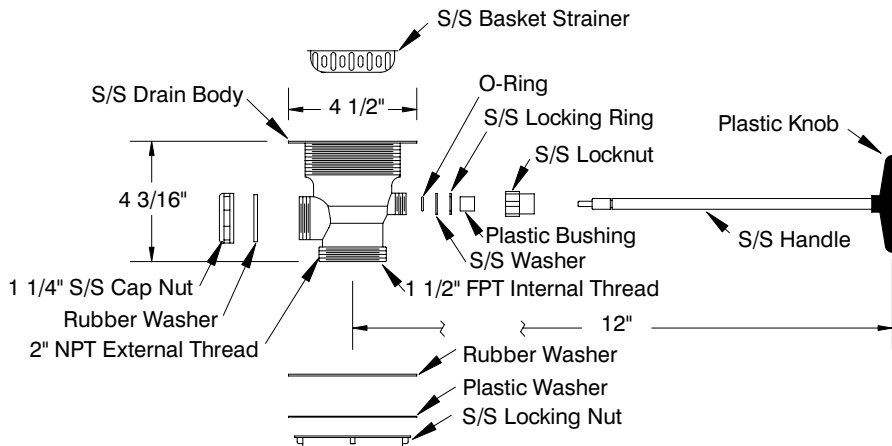
K-5



K-15



K-26 & K-67 For Hand Sinks (K-67 Excludes Overflow)



K-40



ADVANCE TABCO is constantly engaged in a program of improving our products. Therefore, we reserve the right to change specifications without prior notice.