



MULTIPLE SINK SIZES & Accessories

(welded into Table Top)



Item #: _____ Qty #: _____
 Model #: _____
 Project #: _____

VKS Series
COUNTERTOP TABLES with
 Splash are furnished
 with **K-1 Splash Mounted**
Faucet with 12" Spout
 as standard

K-50 Deck Mounted Faucet
 is Standard on tables with
 1 1/2", 5" or no rear splash

TA-56 - 5" NSF Partition
 (Not shown)

Single sink bowl come with **K-50 Swing Spout**
 Faucet & **K-6 Basket Drain** unless noted.

Double sink bowls come with **K-53 Swing Spout**
 Faucet & **K-6 Basket Drain** unless noted.



FAUCETS & ACCESSORIES

- K-2A** Poly-Vance Sink Cover 10"x14"
- K-2B** Poly-Vance Sink Cover 14"x16"
- K-2C** Poly-Vance Sink Cover 16"x20"
- K-2D** Poly-Vance Sink Cover 18"x24"
- K-2E** Poly-Vance Sink Cover 20"x20"
- K-2F** Poly-Vance Sink Cover 24"x24"
- K-2G** Poly-Vance Sink Cover 20"x28"
- K-4** Lever Drain Bracket
- K-5** Lever Drain
- K-12** Poly Sink Cover
- K-15** Lever Drain with Overflow
- K-50** Deck Mounted 4" O.C. 8" Swing Spout Faucet
- K-500MIT** Omit Swing Spout Faucet
- K-52** Deck Mounted 4" O.C. 3-1/2" Gooseneck Faucet
- K-53** Deck Mounted 4" O.C. 12" Gooseneck Faucet
- K-520MIT** Omit Swing Spout Faucet
- K-55** 8 1/2" Spout 4" O.C. Deck Mounted Gooseneck Faucet
- K-60** 4" O.C. Splash Mounted Gooseneck Faucet
- K-62** X.H.D. 4" O.C. Deck Mounted Gooseneck Faucet
- K-105** 14" Splash Mounted 8" O.C. Faucet
- K-112** Extra Heavy Duty 12" Splash Mounted Faucet
- K-320-LU** Wrist Handles for Splash Mounted Faucets
- K-452** 6"x9" Control Bracket
- K-453** 14"x16" Control Bracket
- K-455A** Stainless Steel Sink Cover 10"x14"
- K-455B** Stainless Steel Sink Cover 14"x16"
- K-455C** Stainless Steel Sink Cover 16"x20"
- K-455D** Stainless Steel Sink Cover 18"x24"
- K-455E** Stainless Steel Sink Cover 20"x20"
- K-455F** Stainless Steel Sink Cover 24"x24"
- K-455G** Stainless Steel Sink Cover 20"x28"
- K-460** Installation of Disposal Cone with 6"x9" Control Bracket
- K-461** Installation of Collar with 6"x9" Control Bracket
- K-470** 14" deep Bowls

TA-11Z (return only)

Optional: 5" Splash Tables require a 2" return for splash mounted faucet

For More Faucet Options & Faucet Specs,
 See Faucet Specifications in **Section G**

Single Bowl	Double Bowl	A	B	
TA-11A	TA-11A-2	16" x 20" x 8"	(406mm x 508mm x 203mm)	
TA-11B	TA-11B-2	16" x 20" x 12"	(406mm x 508mm x 305mm)	
* TA-11C	* TA-11C-2	20" x 20" x 8"	(508mm x 508mm x 203mm)	
* TA-11D	* TA-11D-2	20" x 20" x 12"	(508mm x 508mm x 305mm)	
** TA-11E	** TA-11E-2	24" x 24" x 12"	(610mm x 610mm x 305mm)	
† TA-11F	†† TA-11F-2	10" x 14" x 10"	(254mm x 356mm x 254mm)	
* TA-11G	* TA-11G-2	28" x 20" x 12"	(508mm x 711mm x 305mm)	
TA-11J	TA-11J-2	14" x 16" x 12"	(356mm x 406mm x 305mm)	
TA-11L	TA-11L-2	18" x 24" x 12"	(457mm x 610mm x 305mm)	

* Only installed in tables 30" (762mm) or wider

** Only installed in tables 36" or larger

† K-52 Faucet Standard (Single Bowl)

†† K-53 Faucet Standard (Double Bowl)

TA-11K
DROP-IN
FILLER STATION
 (Factory Install Only)

TA-11KM
ICE & FILLER STATION
 (Factory Install Only)

Includes Cover



NEW YORK
 (800) 645-3166
 Fax: (631) 242-6900

GEORGIA
 (800) 832-1218
 Fax: (770) 775-5625

TEXAS
 (800) 527-0353
 Fax: (972) 932-4795

NEVADA
 (800) 446-8684
 Fax: (775) 972-1578

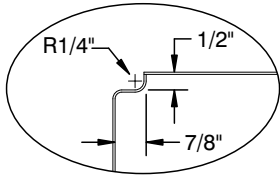
For Assistance with Smart Modifications & Accessories Call: **1-800-498-6634** Fax: 631-586-2933
 smartfab@advancetabco.com

DETAILS and SPECIFICATIONS

TOL ± .500"

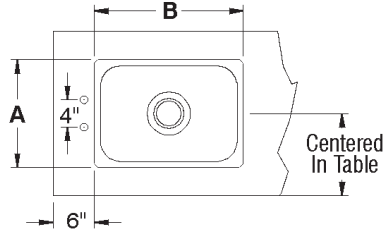
ALL DIMENSIONS ARE TYPICAL

MULTIPLE SINK SIZES (WELDED INTO TABLE TOP)

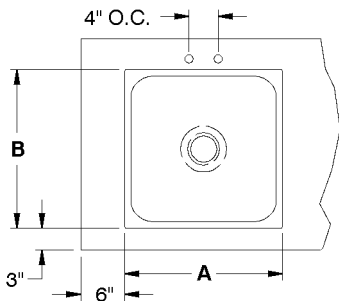


Bowl Drop Down Detail

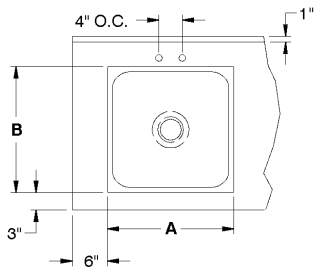
FLAT TOP 24" Wide or Smaller



FLAT TOP or 1-1/2" REAR SPLASH 30" or Wider

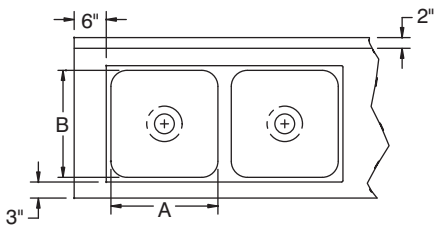


5" REAR SPLASH with 1" RETURN

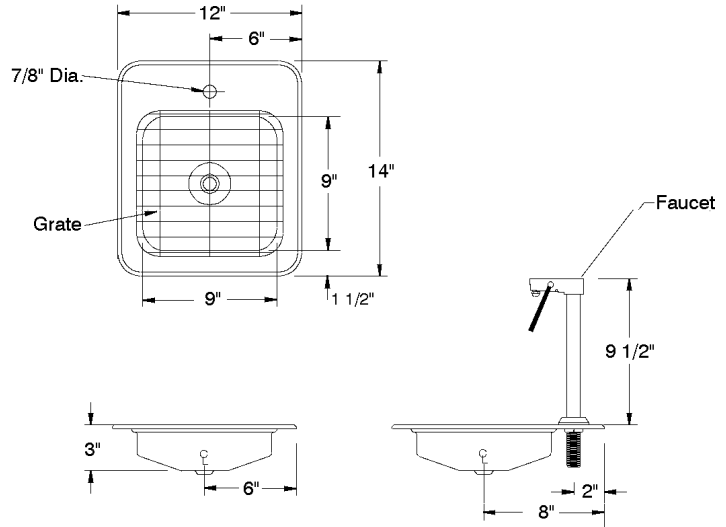


TA-11Z: Optional: 5" Splash Tables require a 2" return for splash mounted faucet

10" REAR SPLASH with 2" RETURN



TA-11K - DROP-IN FILLER STATION (FACTORY INSTALL ONLY)



TA-11KM - DROP-IN WATER/ICE STATION (FACTORY INSTALL ONLY)

