



STAINLESS STEEL

# REMOVABLE 8" SPLASH WRAP FOR EXISTING DROP-IN SINKS



**Item #:** \_\_\_\_\_ **Qty #:** \_\_\_\_\_  
**Model #:** \_\_\_\_\_  
**Project #:** \_\_\_\_\_

**FEATURES:**

Adapts easily to any existing Drop-In Sink (Must specify Drop-In Sink Model).  
 Mounting hardware provided.

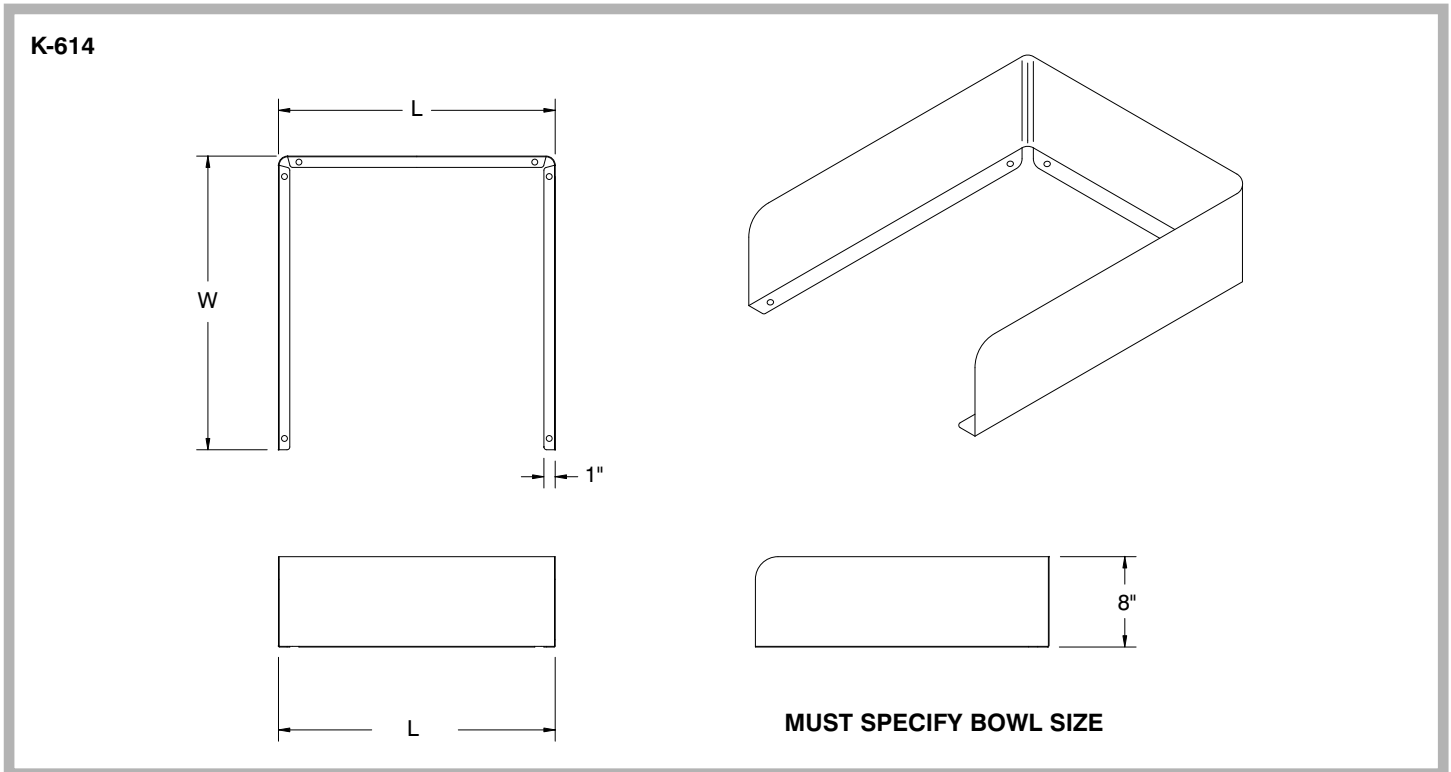
**MATERIALS:**

16 Gauge, Type 304 Series Stainless steel.  
 Plastic hardware included.

## DIMENSIONS and SPECIFICATIONS

TOL ± .125"

ALL DIMENSIONS ARE TYPICAL



<p>ADVANCE TABCO SMART FABRICATION™ www.advancetabco.com</p>	<p><b>Customer Service Available To Assist You 1-800-645-3166 8:30 am - 8:00 pm E.S.T.</b>          Email Orders To: customer@advancetabco.com. For Smart Fabrication™ Quotes, Email To: smartfab@advancetabco.com or Fax To: 631-586-2933</p>			
	<p><b>NEW YORK</b>          Fax: (631) 242-6900</p>	<p><b>GEORGIA</b>          Fax: (770) 775-5625</p>	<p><b>TEXAS</b>          Fax: (972) 932-4795</p>	<p><b>NEVADA</b>          Fax: (775) 972-1578</p>