

Item #: _____ **Qty #:** _____
Model #: _____
Project #: _____



CANTILEVER
BRACKET



"L"
BRACKET

18" WIDE	24" WIDE	Length
PA-18-48'	PA-24-48"	48"
PA-18-60'	PA-24-60"	60"
PA-18-72'	PA-24-72"	72"
PA-18-84'	PA-24-84"	84"
PA-18-96'	PA-24-96"	96"
PA-18-108'	PA-24-108*	108"
PA-18-120'	PA-24-120"	120"
PA-18-132'	PA-24-132"	132"
PA-18-144'	PA-24-144"	144"

*L Brackets (2) included with 18" wide shelves.

** Cantilever Brackets included with 24" wide shelves.

FEATURES:

New Hat Channel design allows shelf to be freely positioned
Includes Wall Mounting Brackets for Securing Shelf to Desired Position
Furnished with 1-1/2" sanitary roll down along length at front and rear.
Ends are square with 1-1/2" turn down at wall dimension.

CONSTRUCTION:

All TIG welded. Exposed welded areas polished to match adjacent surface.

MATERIAL:

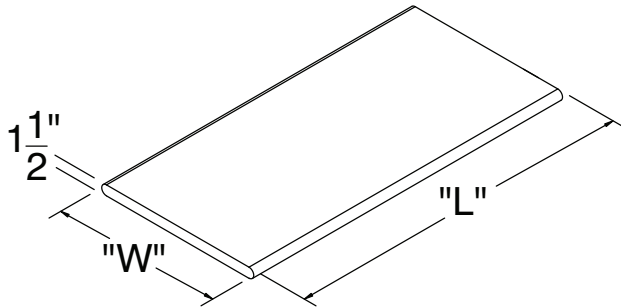
Heavy Gauge Stainless Steel Shelf and Brackets.
Heavy Gauge Galvanized Hat Channel.

DETAILS and SPECIFICATIONS

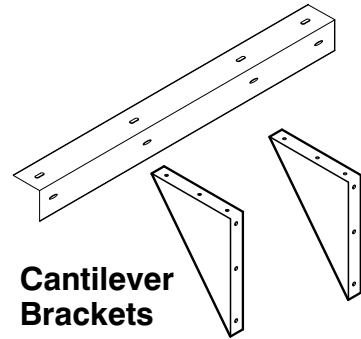
TOL ± .500"

ALL DIMENSIONS ARE TYPICAL

Top View of Shelf

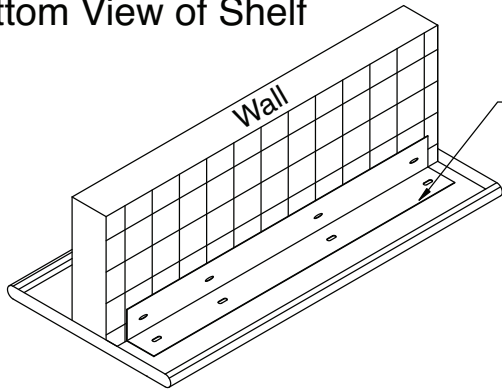


"L" Bracket



Cantilever Brackets

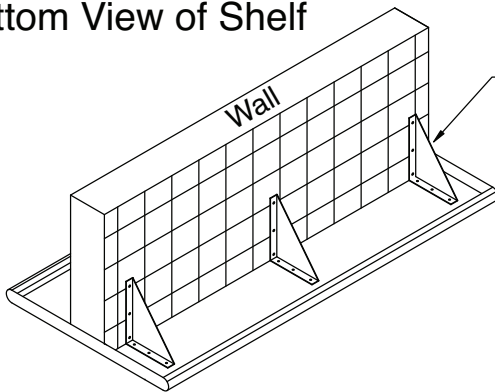
Bottom View of Shelf



3" x 4" L shape Mounting Bracket
Supplied with 18" Shelf

"L" Bracket Detail

Bottom View of Shelf



5" x 7" Cantilever Mounting Bracket
Supplied with 24" Shelf

Cantilever Bracket Detail

