

**Item #:** \_\_\_\_\_ **Qty #:** \_\_\_\_\_  
**Model #:** \_\_\_\_\_  
**Project #:** \_\_\_\_\_





Shown With  
3 Tier Drawer Set Up

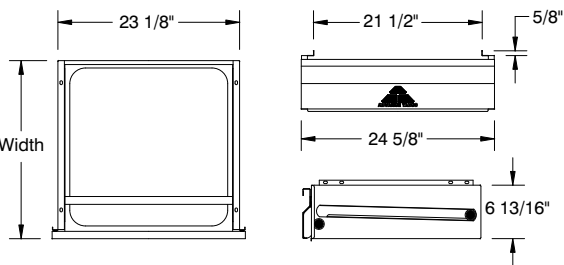


# Revolutionary New SHD Series Drawer with Integral Drawer Slides

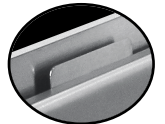
- Stainless Steel Front & Sides
- Self Closing Drawer with Noise Control
- Drawer "Safety Stop" Tab
- Removable Stainless Steel Inset
- Units Can Be Stacked to Create Multiple Tier Drawers
- Hardware Included
- NSF Approved

MODEL #	Width	Description	Inset
SHD-2015	17 1/2"	Stainless Steel	20" x 15" x 5"
SHD-2020	22 3/4"	Stainless Steel	20" x 20" x 5"



**Drawers Stack with Ease  
to Create Tier Drawers!**  
*Easily installs in field*



Features a  
"Safety Stop" Tab

## OPTIONAL CONCEALED SIDE PANELS For 20"x20" Drawers (1 for needed each side)



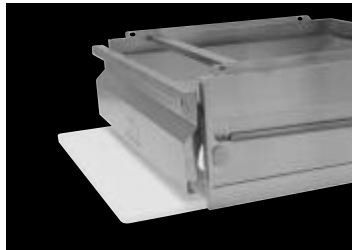
1 Tier Drawer:  
TA-SHD-1 each side

2 Tier Drawers:  
TA-SHD-2 each side

3 Tier Drawers:  
TA-SHD-3 each side

### SHD SERIES MODIFICATIONS & ACCESSORIES

- Concealed Side Panel for 20"x15" Drawer ..... TA-2 ea.
- Drawer Lock ..... TA-14SHD
- Pad Lock Hasp..... TA-13
- Drawers Modified To  
15" L/R x 20" F/B ..... TA-50
- Poly Board Storage Brackets  
For SHD Drawers ..... TA-97SHD
- 5/8" Thick Poly Board Cutting Boards  
For SHD Drawers ..... TA-41SHD ea.



TA-97SHD Polyboard Storage Bracket  
(Installs in field. Hardware Included)



Rear View of Multiple Stacked Drawers  
Drawer Seam Exposed