



STAINLESS STEEL
DROP-IN SINKS

Smart Series™ Single & Double Bowl Drop-Ins



Item #: _____ **Qty #:** _____
Model #: _____
Project #: _____

Available Faucets & Accessories	Model #	Qty
Deck Mtd. Concealed 6 1/2" Spout. 8" O.C.	K-49	
Deck Mounted 8" Swing Spout. 4" O.C.*	K-50	
Deck Mounted. 12" Swing Spout. 4" O.C.*	K-53	
Deck Mounted 8 1/2" Gooseneck. 4" O.C.*	K-55	
Deck Mounted Swing w/Spray. 8" O.C.	K-58	
Mounting Clips (Bag of 4).	K-28	

FEATURES:

One piece seamless **Deep Drawn** stainless steel bowls.
 Self rimming design.
 Flat deck allowing for more faucet options.
 All bowls are sound deadened.
 Units feature Advance Tabco's **Smart Finish™**.
 Stainless Steel 1-1/2 IPS basket drain.

MATERIALS:

Stainless Steel Type 304 18 Gauge

DESIGN:

Self-Rim Design. Mounting clips provided accommodates all thicknesses of counter. (Quantity supplied varies based on drop in sink ordered).

Unit punched with 1-1/4" dia. faucet holes.

*REQUIRES K-149 FAUCET HOLE REVISION

**Standard Faucet conforms to NSF 61 Standard 9.
 Faucets Are AB1953 Lead Free Compliant.**

For Replacement Faucets & Upgrades, Drains & Accessories visit our website at www.advancetabco.com



STANDARD MOUNTING CLIPS

For countertops over 7/8" and up to 2" thick.
 Replacement # K-28 (Per Sink)

SINGLE BOWL DROP-IN SINKS

MODEL#	OVERALL LxW	BOWL SIZE LxW	BOWL DEPTH* (D)	CUTOUT (1 1/4" RADIUS CORNERS)	Approx. Wt.
SS-1-1715-7	17"x15"	14"x10"	7-1/2"	16 1/4"x14 1/4"	12 lbs.
SS-1-1919-7	19"x19"	16"x14"	7-1/2"	18 1/4"x18 1/4"	16 lbs.
SS-1-2321-7	23"x21"	20"x16"	7-1/2"	22 1/4"x20 1/4"	20 lbs.
SS-1-1715-10	17"x15"	14"x10"	10"	16 1/4"x14 1/4"	14 lbs.
SS-1-1919-10	19"x19"	16"x14"	10"	18 1/4"x18 1/4"	18 lbs.
SS-1-2321-10	23"x21"	20"x16"	10"	22 1/4"x20 1/4"	22 lbs.
SS-1-1919-12	19"x19"	16"x14"	12"	18 1/4"x18 1/4"	20 lbs.
SS-1-2321-12	23"x21"	20"x16"	12"	22 1/4"x20 1/4"	24 lbs.

DOUBLE BOWL DROP-IN SINKS

MODEL#	OVERALL LxW	BOWL SIZE LxW	BOWL DEPTH* (D)	CUTOUT (1 1/4" RADIUS CORNERS)	Approx. Wt.
SS-2-3321-7	33 1/2"x21"	14"x16"	7-1/2"	32 3/4"x20 1/4"	33 lbs.
SS-2-4521-7	45 1/2"x21"	20"x16"	7-1/2"	44 3/4"x20 1/4"	38 lbs.
SS-2-3321-10	33 1/2"x21"	14"x16"	10"	32 3/4"x20 1/4"	35 lbs.
SS-2-4521-10	45 1/2"x21"	20"x16"	10"	44 3/4"x20 1/4"	39 lbs.
SS-2-3321-12	33 1/2"x21"	14"x16"	12"	32 3/4"x20 1/4"	37 lbs.
SS-2-4521-12	45 1/2"x21"	20"x16"	12"	44 3/4"x20 1/4"	40 lbs.

Length is Left to Right. Width is Front to Back



Customer Service Available To Assist You 1-800-645-3166 8:30 am - 8:00 pm E.S.T.

Email Orders To: customer@advancetabco.com. For Smart Fabrication™ Quotes, Email To: smartfab@advancetabco.com or Fax To: 631-586-2933

NEW YORK
 Fax: (631) 242-6900

GEORGIA
 Fax: (770) 775-5625

TEXAS
 Fax: (972) 932-4795

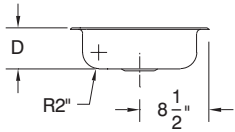
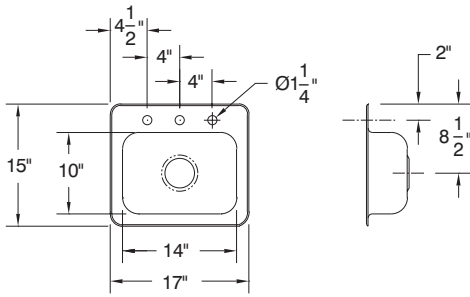
NEVADA
 Fax: (775) 972-1578

DIMENSIONS and SPECIFICATIONS

TOL ± .125"

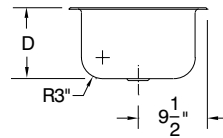
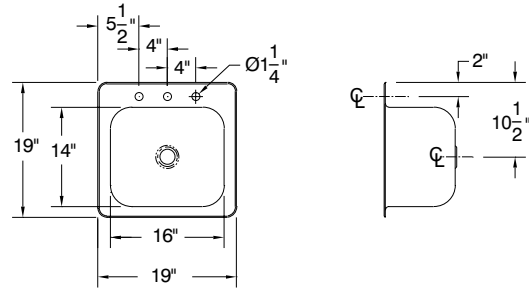
ALL DIMENSIONS ARE TYPICAL

SS-1-1715 Series



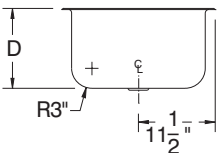
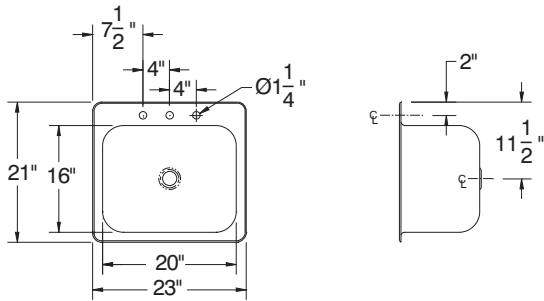
Cut-Out Size
16 1/4" x 14 1/4"
1 1/4" radius corners

SS-1-1919 Series



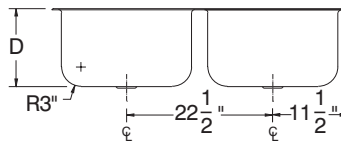
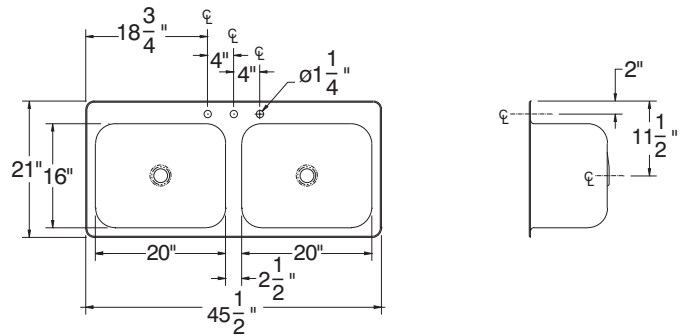
Cut-Out Size
18 1/4" x 18 1/4"
1 1/4" radius corners

SS-1-2321 Series



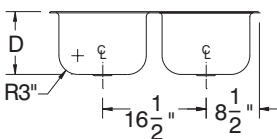
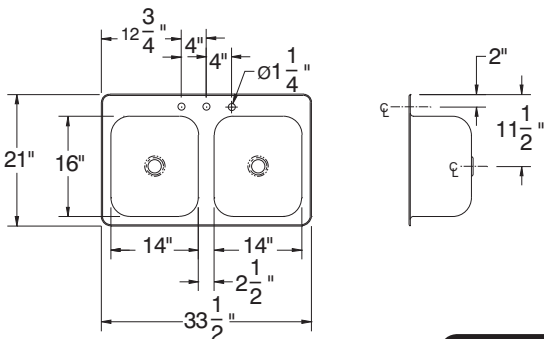
Cut-Out Size
22 1/4" x 20 1/4"
1 1/4" radius corners

SS-2-4521 Series



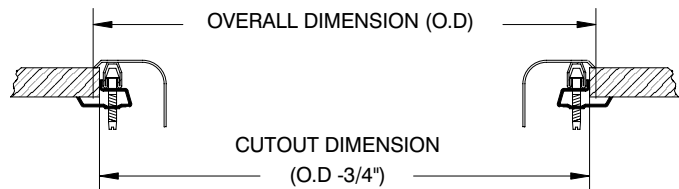
Cut-Out Size
44 3/4" x 20 1/4"
1 1/4" radius corners

SS-2-3321 Series



Cut-Out Size
32 3/4" x 20 1/4"
1 1/4" radius corners

TYPICAL INSTALLATION



Cut-Out Size = L x R x F to B

**Standard Mounting Clips Fit Countertops
Over 7/8" & Up To 2" Thick.**

