



# MULTIPLE SINK SIZES & Accessories

(welded into Table Top)



Item #: \_\_\_\_\_ Qty #: \_\_\_\_\_  
 Model #: \_\_\_\_\_  
 Project #: \_\_\_\_\_

**VKS Series**  
**COUNTERTOP TABLES** with  
 Splash are furnished  
 with **K-1 Splash Mounted**  
 Faucet with **12" Spout**  
 as standard

**K-50 Deck Mounted Faucet**  
 is Standard on tables with  
**1 1/2", 5" or no rear splash**

**TA-56 - 5" NSF Partition**  
 (Not shown)

Single sink bowl come with **K-50 Swing Spout**  
 Faucet & **K-6 Basket Drain** unless noted.

Double sink bowls come with **K-53 Swing Spout**  
 Faucet & **K-6 Basket Drain** unless noted.



Single Bowl	Double Bowl	A	B	
TA-11A	TA-11A-2	16" x 20" x 8"	406mm x 508mm x 203mm	
TA-11B	TA-11B-2	16" x 20" x 12"	406mm x 508mm x 305mm	
* TA-11C	* TA-11C-2	20" x 20" x 8"	508mm x 508mm x 203mm	
* TA-11D	* TA-11D-2	20" x 20" x 12"	508mm x 508mm x 305mm	
* TA-11E	* TA-11E-2	24" x 24" x 12"	610mm x 610mm x 305mm	
† TA-11F	†† TA-11F-2	10" x 14" x 10"	254mm x 356mm x 254mm	
* TA-11G	* TA-11G-2	28" x 20" x 12"	508mm x 711mm x 305mm	
TA-11J	TA-11J-2	14" x 16" x 12"	356mm x 406mm x 305mm	
TA-11L	TA-11L-2	18" x 24" x 12"	457mm x 610mm x 305mm	
TA-11N	TA-11N-2	18" x 18" x 12"	457mm x 457mm x 305mm	

\* Only installed in tables 30" (762mm) or wider

† K-52 Faucet Standard (Single Bowl)

†† K-53 Faucet Standard (Double Bowl)



## FAUCETS & ACCESSORIES

- K-2A** Poly-Vance Sink Cover 10"x14"
- K-2B** Poly-Vance Sink Cover 14"x16"
- K-2C** Poly-Vance Sink Cover 16"x20"
- K-2D** Poly-Vance Sink Cover 18"x24"
- K-2E** Poly-Vance Sink Cover 20"x20"
- K-2F** Poly-Vance Sink Cover 24"x24"
- K-2G** Poly-Vance Sink Cover 20"x28"
- K-4** Lever Drain Bracket
- K-5** Lever Drain
- K-12** Poly Sink Cover
- K-15** Lever Drain with Overflow
- K-50** Deck Mounted 4" O.C. 8" Swing Spout Faucet
- K-500MIT** Omit Swing Spout Faucet
- K-52** Deck Mounted 4" O.C. 3-1/2" Gooseneck Faucet
- K-53** Deck Mounted 4" O.C. 12" Gooseneck Faucet
- K-520MIT** Omit Swing Spout Faucet
- K-55** 8 1/2" Spout 4" O.C. Deck Mounted Gooseneck Faucet
- K-60** 4" O.C. Splash Mounted Gooseneck Faucet
- K-62** X.H.D. 4" O.C. Deck Mounted Gooseneck Faucet
- K-105** 14" Splash Mounted 8" O.C. Faucet
- K-112** Extra Heavy Duty 12" Splash Mounted Faucet
- K-320-LU** Wrist Handles for Splash Mounted Faucets
- K-452** 6"x9" Control Bracket
- K-453** 14"x16" Control Bracket
- K-455A** Stainless Steel Sink Cover 10"x14"
- K-455B** Stainless Steel Sink Cover 14"x16"
- K-455C** Stainless Steel Sink Cover 16"x20"
- K-455D** Stainless Steel Sink Cover 18"x24"
- K-455E** Stainless Steel Sink Cover 20"x20"
- K-455F** Stainless Steel Sink Cover 24"x24"
- K-455G** Stainless Steel Sink Cover 20"x28"
- K-460** Installation of Disposal Cone with 6"x9" Control Bracket
- K-461** Installation of Collar with 6"x9" Control Bracket
- K-470** 14" deep Bowls

**TA-11Z (return only)**

Optional: 5" Splash Tables require a 2" return for splash mounted faucet

For More Faucet Options & Faucet Specs,  
 See Faucet Specifications in Section G



Customer Service Available To Assist You **1-800-645-3166** 8:30 am - 8:00 pm E.S.T.

Email Orders To: customer@advancetabco.com. For Smart Fabrication™ Quotes, Email To: smartfab@advancetabco.com or Fax To: 631-586-2933

**NEW YORK**  
 Fax: (631) 242-6900

**GEORGIA**  
 Fax: (770) 775-5625

**TEXAS**  
 Fax: (972) 932-4795

**NEVADA**  
 Fax: (775) 972-1578

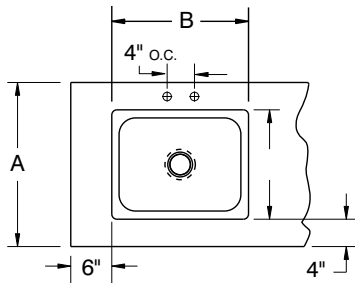
# DETAILS and SPECIFICATIONS

TOL ± .500"

ALL DIMENSIONS ARE TYPICAL

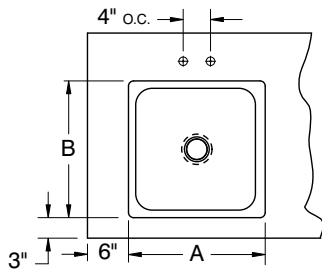
## MULTIPLE SINK SIZES (WELDED INTO TABLE TOP)

### FLAT TOP 24" Wide or Smaller

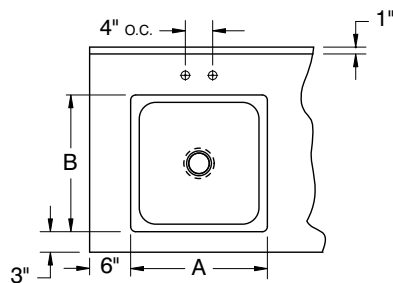


\*For 24" Enclosed Base Tables with Sliding Doors. Faucet on Side.

### FLAT TOP or 1-1/2" REAR SPLASH 30" or Wider

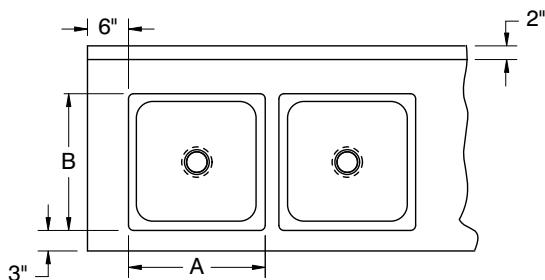


### 5" REAR SPLASH with 1" RETURN

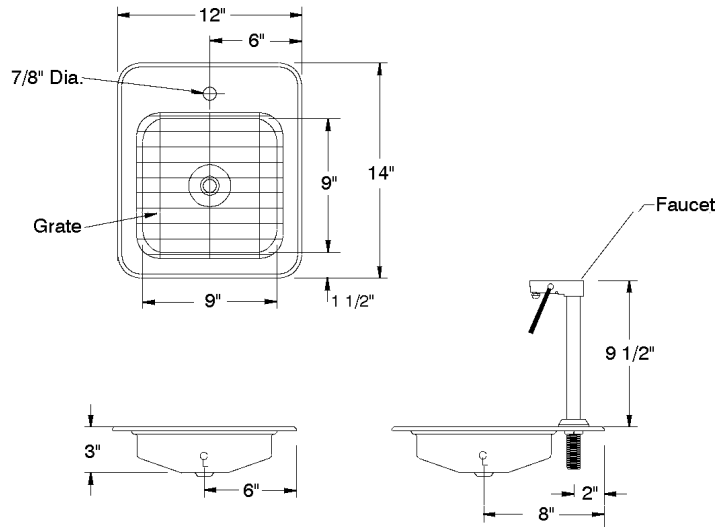


TA-11Z: Optional: 5" Splash Tables require a 2" return for splash mounted faucet

### 10" REAR SPLASH with 2" RETURN



## TA-11K - DROP-IN FILLER STATION (FACTORY INSTALL ONLY)



## TA-11KM - DROP-IN WATER/ICE STATION (FACTORY INSTALL ONLY)

