

PROFESSIONAL MOBILE CARTS



STAINLESS STEEL MOBILE CARTS

Features:

- 18 Gauge, Type 304 Stainless Steel
- Three adjustable stainless steel shelves polished to satin finish
- Four swivel casters (2 with brakes)
- Four donut bumpers
- Two chrome posts with handles

Model	Size L x W x H	Shelf Size	Approx. Wt.
UC-3-1827RE	31-3/4"x18"x38"	27"x18"	27 lbs.
UC-3-2433RE	37-3/4"x24"x38"	33"x24"	35 lbs.



CHROME WIRE MOBILE CARTS

Features:

- Chrome plated
- Three adjustable wire shelves
- Four swivel casters (2 with brakes)
- Four donut bumpers
- Two chrome posts with handles
- Tapered split sleeves

Model	Size L x W x H	Shelf Size	Approx. Wt.
WUC-1836PRE	41"x18"x38"	36"x18"	53 lbs.
WUC-1842PRE	47"x18"x38"	42"x18"	55 lbs.
WUC-2436PRE	41"x24"x38"	36"x24"	59 lbs.
WUC-2442PRE	47"x24"x38"	42"x24"	61 lbs.

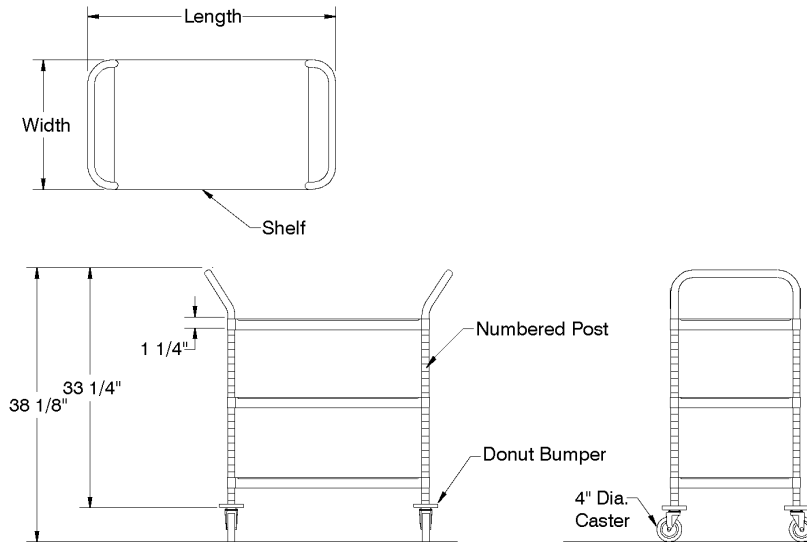
Professional Stainless Steel Products For Your Home

Toll Free Phone: 866-799-0106 • Toll Free Fax: 866-799-0249

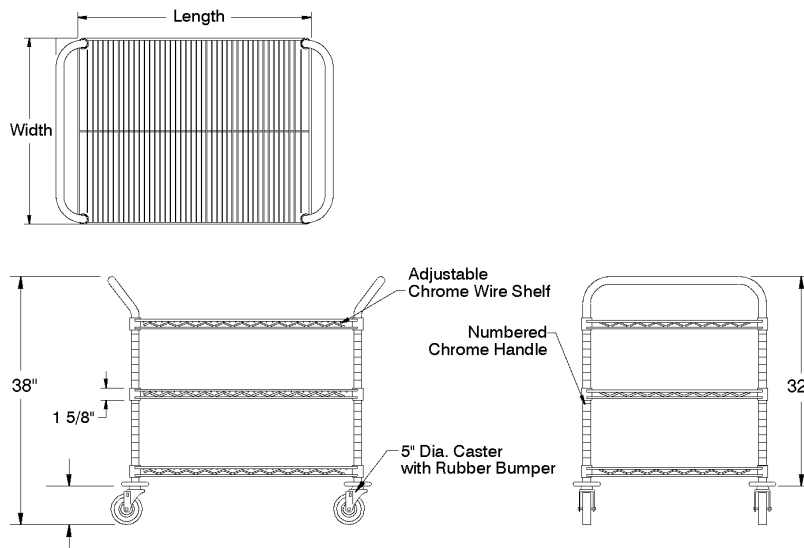
www.alinebyadvancetabco.com

PROFESSIONAL MOBILE CARTS

STAINLESS STEEL MOBILE CARTS



CHROME WIRE MOBILE CARTS



Toll Free Phone: 866-799-0106 • Toll Free Fax: 866-799-0249

www.alinebyadvancetabco.com

ADVANCE TABCO is constantly engaged in a program of improving our products. Therefore, we reserve the right to change specifications without prior notice.

© ADVANCE TABCO, MARCH 2008