



STAINLESS STEEL WALL SHELF WITH CHECK MINDER



For Check Minder Provision on any shelf use **TA-77**.

Item #: _____ Qty #: _____
 Model #: _____
 Project #: _____

Model	Length	Wt.
WS-12-36CM	12" x 36"	15 lbs.
WS-12-48CM	12" x 48"	19 lbs.
WS-12-60CM	12" x 60"	21 lbs.
WS-12-72CM	12" x 72"	25 lbs.
WS-12-96CM	12" x 96"	32 lbs.

FEATURES:

Furnished with a 1-1/2" sanitary rolled rim with a 1-1/2" turn-up at rear. Ends are turned down square. Brackets can be positioned to accommodate wall studs. 96" unit furnished with 3 brackets.

Check Minder holds checks with ease. Floating ball mechanism quickly grabs checks and holds them in place.

CONSTRUCTION:

All TIG welded. Exposed surfaces polished to a satin finish.

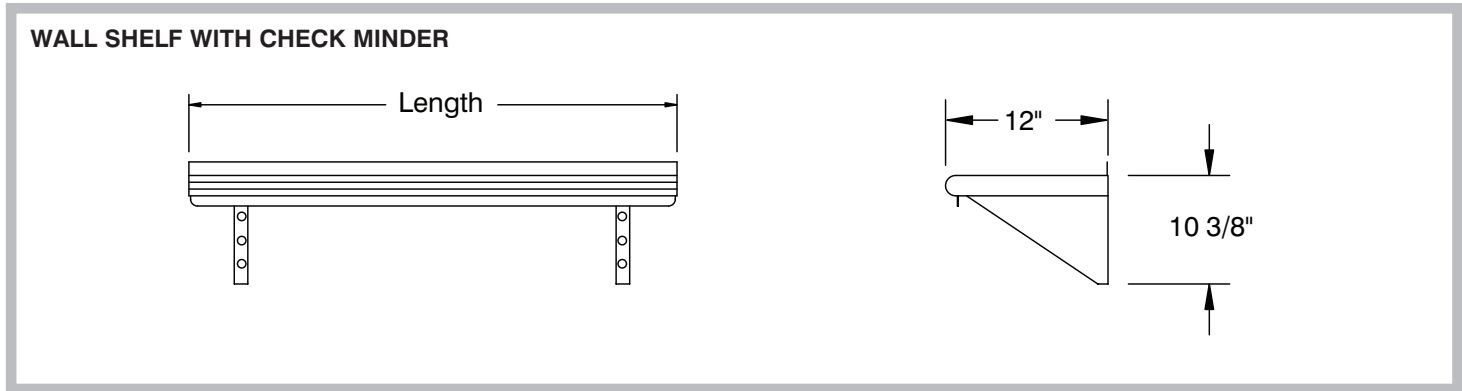
MATERIAL:

18 gauge type "430" stainless steel.

DETAILS and SPECIFICATIONS

TOL ± .500"

ALL DIMENSIONS ARE TYPICAL



ALUMINUM CHECK MINDER



FEATURES:

Check Minder holds checks with ease. Floating ball mechanism quickly grabs checks and holds them in place. Mounts to existing wall or shelf.

MATERIAL:

Extruded Anodized aluminum.

Model	Length	Wt.
CM-24	24"	1.5 lbs.
CM-36	36"	2.25 lbs.
CM-48	48"	3 lbs.
CM-60	60"	4.25 lbs.



Customer Service Available To Assist You 1-800-645-3166 8:30 am - 8:00 pm E.S.T.

For Orders & Customer Service:
 Email: customer@advancetabco.com or Fax: 631-242-6900

For Smart Fabrication™ Quotes:
 Email: smartfab@advancetabco.com or Fax: 631-586-2933