

PRODUCT:

QUANTITY:

ITEM #:

Models: CTR CTRD

Designed Smart

- Mobile, Cantilever-Type, Self-Leveling Dispenser that is easily field adjustable for dispensing trays, glasses, or cups.
- CTR Mobile Cup and CTRD Double Dispensers are excellent for use in serving lines, tray makeup lines, or at hot and cold beverage service points and are open on three sides for easy access.
- Lift-out panel for easy access to dispensing mechanism
- Full base for sanitary protection and empty rack storage
- Tray carrier will not tip or bind



Cantilever Glass & Tray Mobile Dispenser

Built Solid

Built for Long Life!

- Stainless steel construction
- Protective corner bumper standard
- Open sided construction for versatility
- Four-inch polyurethane casters. Rear caster brakes.

Reliability backed by APW Wyatt's Warranty

- APW Wyatt lowerators are backed by a 1-year parts and labor warranty, and a 1-year on-site labor warranty.
- Certified by the following agencies:



Options

- 5-inch polyurethane casters, two with brakes (installation not included) (add -5P to model number)
- Perimeter bumpers (add -PB to model number)
- Overshelf for Model CTR (installed; add 8 inches to overall height) (add -OS to model number)
- 8-hole, stainless steel cutlery dispenser for Model CTR (installed; add 17 1/2" to height) (add -SD to model number)
- Wrap-around bumpers for Model CTRD (add -WB to model number)

See reverse side for product specifications.



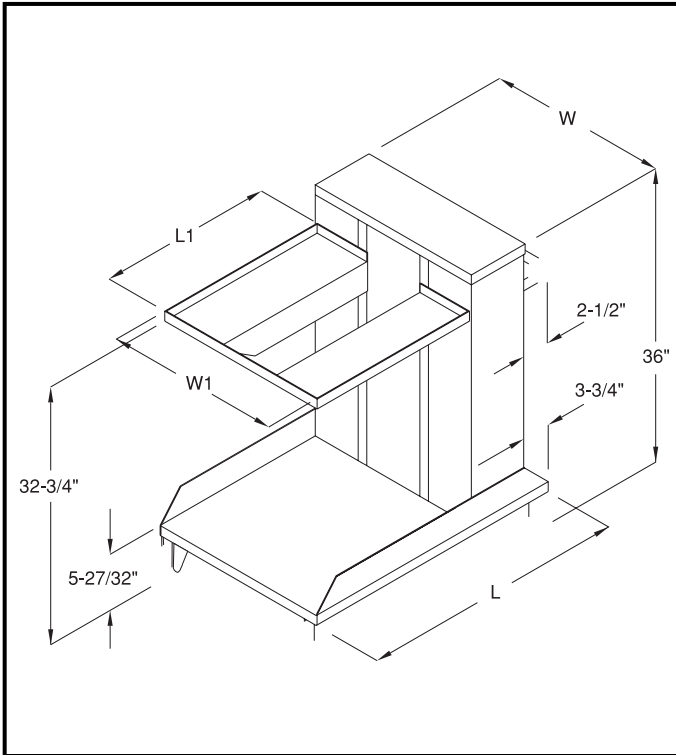
Cantilever Glass & Tray Mobile Dispensers

Models: CTR CTRD

PRODUCT:

QUANTITY:

ITEM #:



PRODUCT SPECIFICATIONS

Dispensing System:

Easily field adjustable to a wide load range. By connecting the self-contained extension springs, the load rate can be increased in increments of 1 pound per inch. Stainless steel carrier cannot bind or tip.

Construction:

All stainless steel base. Caster brakes on rear casters. Dependable and adjustable extension spring dispensing mechanism.

Capacity:

To 125 trays, 14 dozen cups, 12 dozen glasses. Vertical storage: 27 1/8" (23" travel and 4 1/8" to top of upright).

Total Load Capacity:

Model CTR: 250 lbs.
Model CTRD: 500 lbs.

Shipping:

FOB: Cheyenne, WY

MODEL NUMBER	PLATFORM DIMENSIONS		OVERALL DIMENSIONS		SHIPPING WEIGHT
	W1	L1	W	L	
CTR-1014	14-1/2"	10-1/2"	18 1/16"	21 7/8"	108 lbs.
CTR-1418	14-1/2"	18-1/2"	18 1/16"	29 7/8"	110 lbs.
CTR-1620	16-3/4"	20-3/4"	18 1/16"	32 1/8"	110 lbs.
CTR-1020	16-3/4"	22-1/2"	22 11/16"	21 7/8"	110 lbs.
CTR-1622	20-1/2"	10-1/2"	18 1/16"	33 7/8"	110 lbs.
CTR-2020	20-1/2"	20-1/2"	22 11/16"	31 7/8"	118 lbs.

MODEL NUMBER	PLATFORM DIMENSIONS		OVERALL DIMENSIONS		SHIPPING WEIGHT
	W1	L1	W	L	
CTRD-1014	14"	10"	36"	22"	225 lbs.
CTRD-1418	18"	14"	36"	30"	231 lbs.
CTRD-1620	16"	20"	37"	33"	232 lbs.
CTRD-1622	16"	22"	37"	35"	236 lbs.

World Class Support

World Class Sales Support to assist you with finding the right solution to your operation's needs. Call Customer Service at (800) 527-2100 or fax your request to (214) 565-0976.

For more information about APW Wyott's World Class Support and High Performance Equipment, look us up on the Internet at www.APWwyott.com

Most Extensive Service System in the Industry! APW Wyott has three levels of service support for your needs:

- Direct Service Hot Line to Service Department, call (800) 527-2100.
- To find the Registered Service Technician in your area, call Automated Service Hot Line at (800) 733-2203.

*APW Wyott reserves the right to modify specifications or discontinue models without incurring obligation.



APW Wyott Foodservice Equipment Company · 729 Third Ave., Dallas, TX 75226
(800) 527-2100 · (214) 421-7366 · Fax (214) 565-0976 · www.apwwyott.com · info@apwwyott.com

Rev. 5/22/2005
1301