

PRODUCT:

QUANTITY:

ITEM:

## Designed Smart

### Racer® Line of Slanted Display Shelves!

- Great looking display merchandiser that keeps a variety of packaged foods hot...and providing fast and easy accessibility for the consumer.
- Racer™ Merchandisers keep wrapped product at NSF safe temperatures through a system of infrared overhead heat and a thermostatically controlled heated base. The heated holding area is designed to have enough reserve power to overcome variations in temperature and air movement.
- All models have a constant level of infrared top heat directing a "curtain of heat" to the front edges of the holding surface where heat loss is the greatest.

### Equipment Packages to fit your operations.

- Slanted Racer® Merchandisers are available in one or two shelf versions. Lengths are available from 24" of displayable area (DMX-30S styles) to 54" displayable area (DMX-60S styles).
- Powder coated front and side accents compliment your operation's décor. The Racer line comes standard with a Black front with red channel insets along with a red side panel. Available in a variety of other colors that are perfect for front of the house use.
- Inset panels for the front match side color panel and can be used for product identification signs or price markers.

## APW Wyott Design Features

- Heavy duty stainless steel construction for base, sides and top. Unit will not sway from side to side or sag in the middle.
- Hard coated aluminum heat shelf.
- 1 1/2" insulation throughout shelf base.
- Polished mirror stainless steel reflectors on top heat.
- Thermostatically controlled heat for base and rear overhead heat source.
- Decorative powder coated sides, fronts, back and insets.
- Steel legs anchored to a solid stainless steel base.
- Tempered glass sides for maximum visibility.
- Light

\*Warranty does not include rock grates, cooking grates, burners shields or fireboxes.



Model: Racer® Double Slanted Merchandiser

## Options

### Powder Coated Front and Back Shelf Extrusions

- Black is standard \* Red
- White \* Green
- Blue

### Powder Coated Side Support

- Red is standard \* Yellow
- White \* Black

### Powder Coated Inset Panel

- Red is standard \* Yellow
- White \* Black

## Reliability backed by APW Wyott's Warranty

All APW Wyott Racer® Open Air Merchandisers are backed by a 1-year limited warranty and a 1-year on-site labor warrant.

•Certified by the following agencies:



See reverse side for product specifications.



# RACER® Slanted Open Air Merchandisers

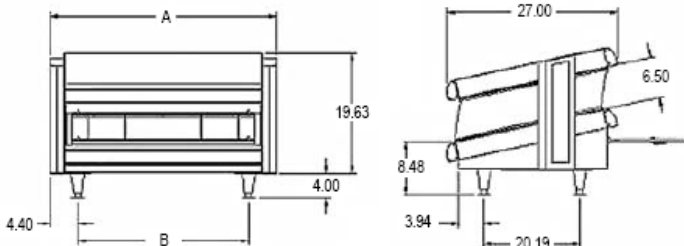
Models □ DMXS □ DMXD □ -30S □ -36S □ -42S □ -48S □ -54S □ -60S

PRODUCT:

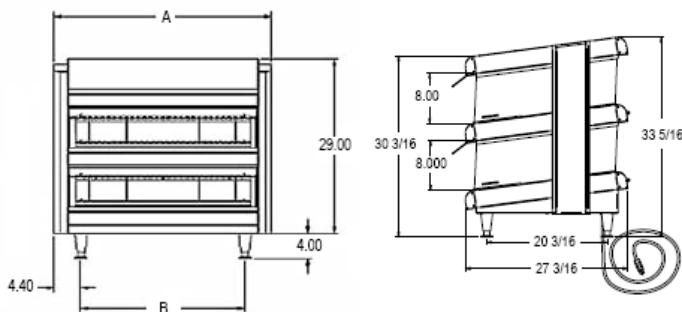
QUANTITY:

ITEM:

## SINGLE SHELF



## DOUBLE SHELF



## PRODUCT SPECIFICATION

### Construction:

RACER® Slanted Open Air Heated Merchandisers external top, back, sides and base are made of 20 gauge stainless steel. Heated shelves are made of hard coated aluminum. Designer front and back channels are made of powder coated aluminum extrusions. Overhead heat is back with mirror polished stainless steel 1/2" insulation surrounds each shelf base. Tempered glass end panels. Steel legs and stainless steel divider rods.

### Electrical Information:

RACER Slanted Open Air Heated Merchandisers are equipped with a least a 72" power cord. All single shelf versions and double shelf versions up to 42" terminate with a 5-15 plug. Double shelf versions 48" and above terminate with a 14-20P plug. For these units, the lights are powered by a 120V circuit. Plugs exit out of the bottom of the equipment on the right hand side.

### Display Area:

Height: 6 1/2" between each shelf  
 Depth of each shelf: 22"  
 Length: All display areas are 6' less than the overall width of the designated unit.  
 (DMXD-42S has a 36" display area)

Freight Class: 100  
 FOB: Allen, TX 75013

Model	30	36	42	48	54	60	
A	30"	36"	42"	48"	54"	60"	Outside width
B	21"	27"	33"	39"	45"	51"	Leg width

SHIPPING INFORMATION									
Model	SHIPPING WEIGHT		DIMENSIONS						Divider Rods
	Lbs	Kilos	Width		Depth		Height		
			In	mm	In	mm	In	mm	
DMXS-30S	150	68.2	30	76.2	27	68.5	23 5/8	60	5
DMXS-36S	161	73.2	36	91.4	27	68.5	23 5/8	60	6
DMXS-42S	179	81.4	42	106.6	27	68.5	23 5/8	60	7
DMXS-48S	198	90	48	121.9	27	68.5	23 5/8	60	8
DMXS-54S	208	94.5	54	137.1	27	68.5	23 5/8	60	9
DMXS-60S	226	102.7	60	152.4	27	68.5	23 5/8	60	10
DMXD-30S	195	88.6	30	76.2	27	68.5	33	76.2	10
DMXD-36S	215	97.7	36	91.4	27	68.5	33	76.2	12
DMXD-42S	235	106.8	42	106.6	27	68.5	33	76.2	14
DMXD-48S	260	118.2	48	121.9	27	68.5	33	76.2	16
DMXD-54S	270	122.7	54	137.1	27	68.5	33	76.2	18
DMXD-60S	280	127.3	60	152.4	27	68.5	33	76.2	20

POWER SUPPLY				
Model	Watts	Voltage	Phase	Amps
DMXS-30S	675	120	1	5.6
DMXS-36S	825	120	1	6.9
DMXS-42S	975	120	1	8.1
DMXS-48S	1180	120	1	9.8
DMXS-54S	1320	120	1	11.0
DMXS-60S	1480	120	1	12.3
DMXD-30S	1300	120	1	10.8
DMXD-36S	1600	120	1	13.3
DMXD-42S	1885	120	1	15.7
DMXD-48S	2310	120	1	9.8
DMXD-54S	2565	120	1	11.0
DMXD-60S	2885	120	1	12.3

\*APW Wyott reserves the right to modify specifications or discontinue models without incurring obligation.

