

PRODUCT: Models: M-95-2 208V M-95-2 240V M-95-3 208V M-95-3 240V M-95-2CD 230V M-95-3FC-EUR 230V
 QUANTITY: ITEM #:

Designed Smart

Developed for High Output!

- The APW Wyott M-95-2 Bun Grill can generate up to 865 bun halves per hour (35 second gear) and the M-95-3 Bun Grill can generate up to 1300 bun halves per hour.
- Bun Grill toasters are available with 22 second, 35 second, 45 second and 55 second gears.
- Bun Grill toasters are available with extended Super Feeder to allow for high volume production.
- Fast warm-up allows your operation to react to surges in volume.

Perfectly Carmelized Buns!

- Patented "self-leveling" conveyor automatically adjusts to various sizes of buns, bagels, and Texas Toast.
- A variety of gear options allow your operation to select speeds that result in your desired toasted bun surface and internal bun temperatures.
- Butter roller and pan consistently covers buns with the perfect amount of butter.
- Durable nickel-coated steel griddle plate is thermostatically controlled between 200 and 500 degrees.

Easy to Maintain and Service!

- Removable conveyor paddle system allows internal cleaning of the conveyor (power soaking) and the griddle plate (spray cleaners and pads).
- Removable Side panel allows easy access for service.

Built Solid

Built to Last

- Stainless Steel construction will provide years of toasting performance
- Nickel Plated Steel Griddle Plate stands up to years of grilling and cleaning.
- High Temperature insulated wire and electric components are used for long life.
- Compact, vertical design allows unit to fit into tight counter areas.

Reliability backed by APW Wyott Warranty

- All APW Wyott Bun Grill Toasters are backed by a 1-year parts and labor warranty, including on-site service calls within 50 miles of authorized service technicians.
- Certified by the following agencies:



MODEL M95-3 BUN GRILL TOASTER

APW Wyott Design Features

- Heavy-duty stainless steel construction.
- Built-in superfeeder.
- Butter wheel and butter pan.
- Patented self-leveling conveyor automatically adjusts to various sizes of buns, bagels and Texas toast.
- Fast warm-up.
- Use wet or dry.
- Compact vertical style saves space.
- Fast- grills a bun as fast as 22 seconds (first) with subsequent buns being toasted every 6 seconds
- Caramelized bun surface—buns never get soggy.
- 4" Adjustable legs.
- Snap-lock construction, easy to clean, fewer parts.
- M-95-2 comes standard with two teflon sheets and bun slide. M-95-3 does not come standard with Teflon sheets or bun slide (can be ordered separately)

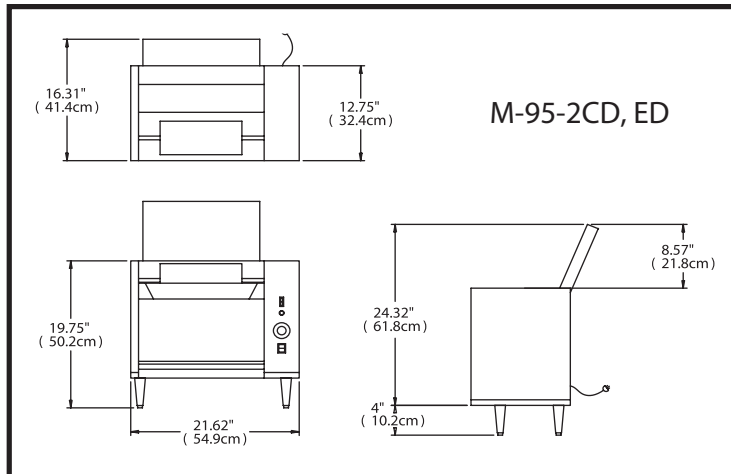
Options

- Teflon Sheet Kit (10 sheets) M95-2: -84177 M95-3: -84176
- Recommend using Teflon sheets for buns being toasted without any clear (whirl) food oil (dry toasting) or with high protein butters (garlic butter, butter with cheese in it)
- Bun slide (collects buns and butter)
- Different gear speeds (approximate times)
- Toasters can be ordered with various gear packages depending on your operation's needs (consult the factory).
- If you want to retrofit an existing toaster to a different speed in the field, you can order the following kits for changing speeds: 26 sec., 45 sec., 55 sec., 85 sec. (M-95-3 only) PS0007

See reverse side for product specifications.

PRODUCT: QUANTITY: ITEM #:

PRODUCT SPECIFICATIONS



Construction:

Heavy-duty stainless steel construction. Nickel-plated cold-rolled steel griddle plate. Stainless Steel Conveyor and Paddle weights. Stainless Steel Butter Roller and pan. 4" adjustable legs.

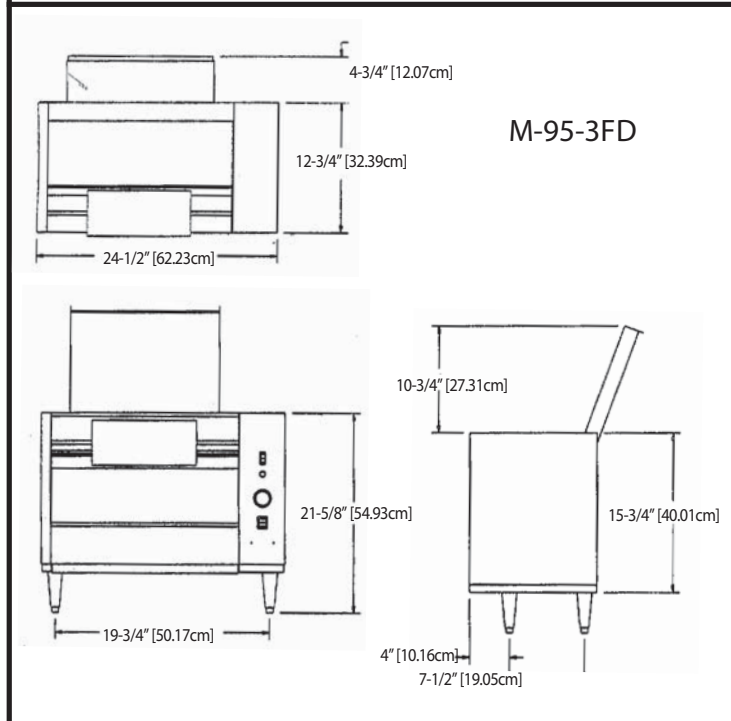
Electrical Information:

Each unit is equipped with a 39", three wire grounded power cord which terminates with a standard three pronged male plug. The 208/240V units use a NEMA 6-20P plug.

Electrical Specifications:

M-95-2: 208V, 2780W, 13.4 Amps
230V, 2550W, 11.1 Amps
240V, 2780W, 11.6 Amps

M-95-3: 208V, 2780W, 13.4 Amps
230V, 2550W, 11.1 Amps
240V, 2780W, 11.6 Amps



Capacity:

4" Bun (35 second gear - consecutive slices come every 8.3 sec.)

M-95-2: 864 pieces per hour

M-95-3: 1296 pieces per hour.

4" Bun (55 second gear - consecutive slices come every 13 sec.)

M-95-2: 545 pieces per hour

M-95-3: 818 pieces per hour.

5" Bun (35 second gear - consecutive slices come every 10.4 sec.)

M-95-2: 692 pieces per hour

M-95-3: 1038 pieces per hour.

5" Bun (55 second gear - consecutive slices come every 16.25 sec.)

M-95-2: 436 pieces per hour

M-95-3: 654 pieces per hour.

Overall Dimensions:

M-95-2: 285/16 "H x 215/8 "W x 165/16 "D
(71.2 cm x 55 cm x 40.7 cm)

M-95-3: 301/2 "H x 241/2 "W x 171/2 "D
(77.5 cm x 62.2 cm x 44.5 cm)

Shipping:

M-95-2: 97 lbs. (44 kg)

M-95-3: 105 lbs. (47 kg)

F.O.B. Dallas, TX 75226

World Class Support

World Class Sales Support to assist you with finding the right solution to your operation's needs. Call Customer Service at 1-800-527-2100 or Fax your request to 1-214-565-0976. For more information about APW Wyott's World Class Support and High Performance Equipment, visit our website at APWwyott.com.

Most Extensive Service System in the Industry! Wyott has three levels of service support for your needs:

- Direct Service Hot Line to Service Department, call 1-800-527-2100.
- To find the Registered Service Technician in your area, call Automated Service Hot Line at 1-800-733-2203.

*APW Wyott reserves the right to modify specifications or discontinue models without incurring obligation.