

PRODUCT:

QUANTITY:

ITEM #:

Tough & Compact

- Cast-iron grill plates
- 21" x 9" work surface with even heat distribution
- Rapid grilling with powerful 3.6KW heating elements
- Top and bottom heat controlled separately
- Thermostatically controlled up to 570°F
- Adjustable spring counter balanced top
- Removable stainless steel side utensil shelves
- Heavy duty stainless steel base for lasting service
- Manual Timer

**RGM- SERIES**

Accessories

- Detachable 2-position front drip tray
- Scraper and brush for ease of cleaning

Tough & Compact

Reliability backed by APW Wyott's Warranty

- All APW Wyott Rhino Grills are backed by a 1-year parts and labor warranty, including on-site service calls within 50 miles of authorized service technicians.
- Certified by the following agencies

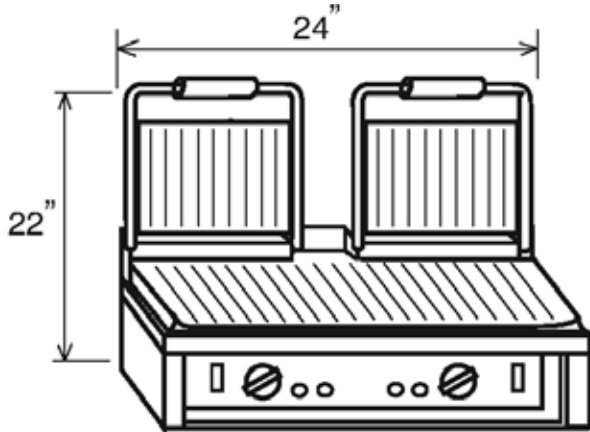


See reverse side for product specifications.

PRODUCT:

QUANTITY:

ITEM #:



Construction:

Stainless steel built.

Installation clearance: 2" each side

Electrical Information:

The 208V/ 240V use a NEMA 6-30P.

Electrical Specifications:

RGM Series

208/240V, 1PH 4KW, 16/18

Amps

Overall Dimensions:

24"W x 17"D x 22"H

Work Surface:

21"Wx9 1/2"D

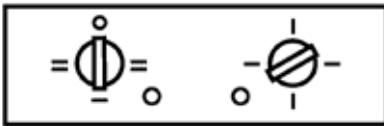
Shipping:

80 lbs

Freight Class 100

FOB: Dallas, TX

CONTROL PANEL:



Standard: Mode selector switch,
regulating thermostat,
green and red pilot light

