

PRODUCT: \_\_\_\_\_ QUANTITY: \_\_\_\_\_ ITEM #: \_\_\_\_\_

## **Tough & Compact**

- Cast-iron grill plates
- 14" X 9 1/2" work surface with even heat distribution
- Rapid grilling with powerful 3.6KW heating elements
- Top and bottom heat controlled separately
- Thermostatically controlled up to 570°F
- Adjustable spring counter balanced top
- Removable stainless steel side utensil shelves
- Heavy duty stainless steel base for lasting service
- Manual Timer

**RGP-SERIES**

## **Accessories**

- Detachable 2-position front drip tray and
- Scraper and Brush for ease of cleaning

## **Tough & Compact**

Reliability backed by APW Wyott's Warranty

- All APW Wyott Rhino Grills are backed by a 1-year parts and labor warranty, including on-site service calls within 50 miles of authorized service technicians.
- Certified by the following agencies

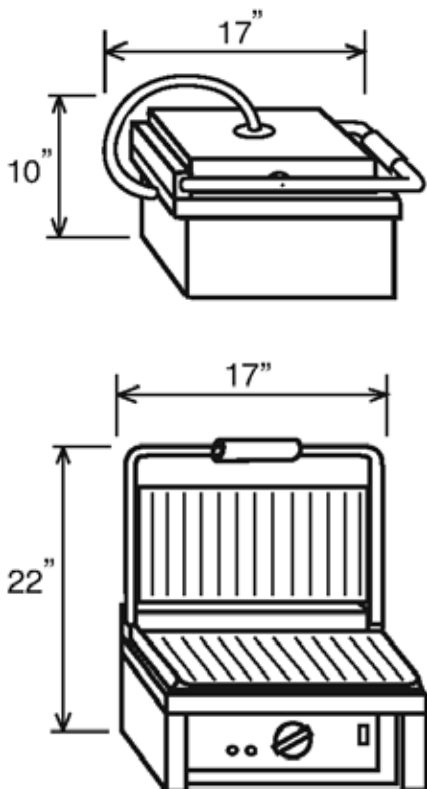


See reverse side for product specifications.

PRODUCT:

QUANTITY:

ITEM #:



**Construction:**

Stainless steel built.  
Installation clearance: 2" each side

**Electrical Information:**

The 120V use a NEMA 5-15P. The 208V/  
240V use a NEMA 6-15P.

**Electrical Specifications:**

RGP-Series

120V, 1.75KW, 14 Amps

208/240V, 1PH, 3KW, 12/14

Amps

**Overall Dimensions:**

17"W x 17"D x 22"H

**Work Surface:**

14"W x 9 1/2"D

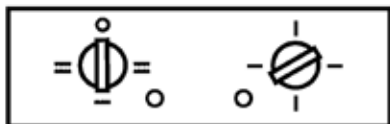
**Shipping:**

59 lbs

Freight Class 100

FOB: Dallas, TX

**CONTROL PANEL:**



**Standard:** Mode selector switch,  
regulating thermostat,  
green and red pilot lights

