



Lowerator® Trendline Adjustube® II Plate Dispensers

PRODUCT:

QUANTITY:

Models: TL2 HTL2
ITEM#:

Bid Specifications

Mobile, field adjustable Dish Dispenser features heavy-duty stainless steel frame construction and has a load capacity up to 100 lbs. per tube. Tube diameters are field adjustable by positioning stainless steel guide rods in proper head guide holes. The dispensing mechanism in APW Wyott's Lowerators® uses springs attached to a sliding support bar that rides both inside and outside the tube. This design feature prevents a stack of dishware from sticking in the down position, and releasing unexpectedly. Available in heated or unheated models. Tubular frame is welded construction. Unit has 4" polyurethane swivel casters, two with brakes.

Applications

Mobile Dish Dispenser utilizes Adjustube® II self-leveling tubes that are field adjustable for weight and diameter. Holds and dispenses plates, saucers, or bowls. Hole cutouts in base align lower end of tubes in position to prevent movement during transit. Field adjustable for varying weight loads up to 100 lbs. per tube.

APW Wyott Design Features

- Promotes sanitary conditions.
- Provides finished appearance.
- Open-type design reduces overall weight load.
- Easy handling of dishware.
- Maximum stability and rigidity of unit.
- Dispensing head is stainless steel with five sets of reinforced guide holes for smooth, even operations.

Reliability Backed by APW Wyott's Warranty

- All APW Wyott Lowerators are backed by a 1-year Parts and Labor warranty, including On-Site Service calls within 50 miles of authorized service technicians.

- Certified by the following agencies:



Lowerator® Trendline Adjustube® II Plate Dispensers

Options:

(Add option suffix number below to model number)

- 5P 5" polyurethane casters, two with brakes
- RB Revolving corner bumpers

- TL2-9A TL2-12A TL2-9A/12A
- HTL2-9A HTL2-12A HTL2-9A/12A

208/240 version available at extra charge.

See reverse side for product specifications.



APW Wyott Foodservice Equipment Company

729 Third Avenue • Dallas, TX 75226 • 800-527-2100 • 1-214-421-7366 • Fax 1-214-565-0976

For more information e-mail us at: Info@APWwyott.com

Rev. 1/1/2003



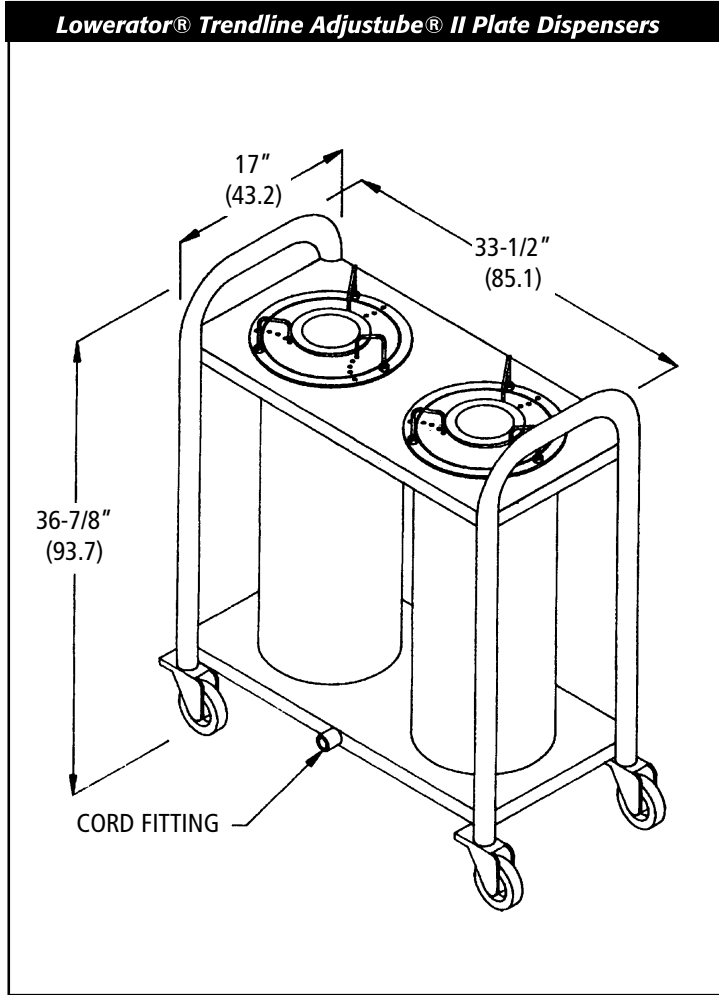
Lowerator® Trendline Adjustube® II Plate Dispensers

Models: TL2 HTL2

PRODUCT:

QUANTITY:

ITEM#:



Lowerator® Trendline Adjustube® II Plate Dispensers

PRODUCT SPECIFICATIONS

Construction:

Stainless steel frame and tubes, stainless steel guide rods, polyurethane swivel casters.

Electrical Information:

Each heated tube has individual heaters and controls (thermostat, on/off switch, light).

Tube thermostats adjustable from 100° to 160°F. Units provided with 5-foot, 3-wire, 14-gauge power cord with NEMA 5-15P plug.

Electrical Specifications:

HTL2-9A: 120V, 760W, 6.3 Amps

HTL2-12A: 120V, 1000W, 8.3 Amps

HTL2-9A/12A: 120V, 880W, 7.3 Amps

Overall Dimensions:

35-7/8" H X 17" W X 33-1/2" W
(26 cm x 45 cm x 56 cm)

Capacity:

TL2-9A, HTL2-9A: 3-1/2" to 9-1/8" (each tube)
Max. Load 131 lbs.

TL2-12A, HTL2-12A: 9-1/4" to 11-7/8" (each tube)
Max. Load 175 lbs.

TL2-9A/12A, HTL2-9A/12A: 3-1/2" to 9-1/8" (one tube)
Max. Load 131 lbs.
9-1/4" to 11-7/8" (one tube)
Max. Load 175 lbs.

Ship Weight:

TL2: 65 lbs. (29.5 kg)

HTL2: 88 lbs. (40 kg)

F.O.B. Cheyenne, WY

World Class Support

World Class Sales Support to assist you with finding the right solution to your operation's needs. Call Customer Service at (800) 527-2100 or Fax your request to 1-(214) 565-0976.

For more information about APW Wyott's World Class Support and High Performance Equipment, look us up on the Internet at www.APWwyott.com

Most Extensive Service System in the Industry! APW Wyott has two levels of service support for your needs:

- Direct Service Hot Line to Service Department, call (800) 752-0863.
- To find the Registered Service Technician in your area, call Automated Service Hot Line at (800) 733-2203.



APW Wyott Foodservice Equipment Company

729 Third Avenue • Dallas, TX 75226 • 800-527-2100 • 1-214-421-7366 • Fax 1-214-565-0976

For more information e-mail us at: Info@APWwyott.com

Rev. 1/1/2003 #1307