

PRODUCT:

QUANTITY:

ITEM #:

Designed Smart

- The W4-2 dual 4 qt. warmer is compact, portable, easy to maintain and inexpensive.
- Great for kitchens, buffets, counters, and dining rooms.
- With dual capabilities in one package, the W4-2 can be used wet or dry to keep moist foods (stews, soups, vegetables, etc.) at ideal serving temperature.

Built Solid

- Constructed with heavy-duty stainless steel for excellent durability.
- Inside liner made with stainless steel.
- Steel “element support” stabilizes heating elements and reflects heat toward food.

Reliability backed by APW Wyott’s Warranty

- APW Wyott warming equipment is backed by a 1-year parts and labor warranty, including our “Enhanced Warranty” service that replaces new units with certain product issues through the convenience of direct factory shipments.
- Certified by the following agencies:

**MODEL W4-2 DUAL 4 QUART WARMER**

APW Wyott Design Features

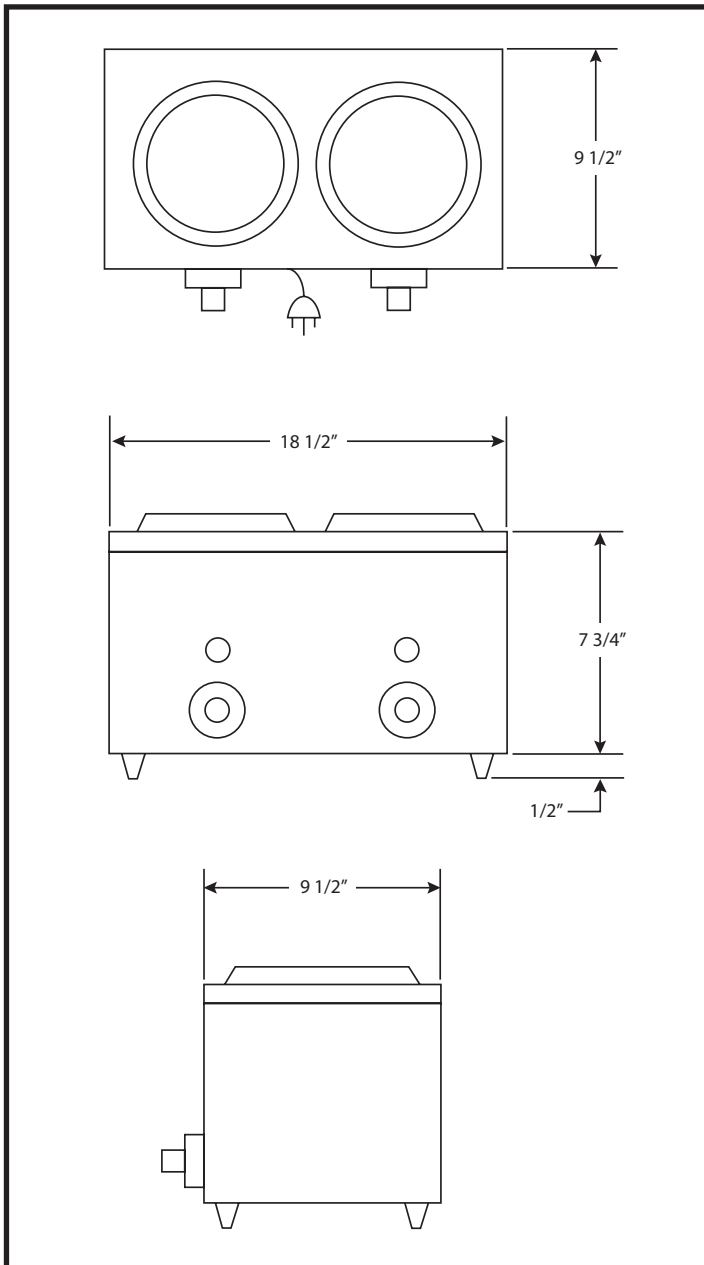
- 8 qt. capacity; (2) 4 qt.
- Compact, portable
- Easy to maintain
- Heavy gauge stainless steel construction
- Individual infinite controls

See reverse side for product specifications.

PRODUCT:

QUANTITY:

ITEM #:

**PRODUCT SPECIFICATIONS****Construction:**

Heavy-duty stainless steel construction.

Dimensions:8 1/4"H x 18 1/2"W x 9 1/2" D
(21 cm x 47 cm x 24.1 cm)**Electrical Information:**

Each unit is equipped with a 60", three wire grounded power cord which terminates with a standard three pronged male plug. The W4-2 uses a NEMA 5-15P plug.

Electrical Specifications:

120V, 800W, 6.7 Amps

Capacity:

8 qts. (7.6 L)

Shipping Information:

10 lbs. (4.5 kg)

F.O.B./ Dallas, TX 75226

*APW Wyott reserves the right to modify specifications or discontinue models without incurring obligation.