



DP 6

Mobile Proofers from Doyon

Doyon proofers provide uniform proofing from top to bottom with their unique even flow system. These units have been designed for small and medium production of bakery products. If you have a limited budget, the non-insulated proofer is the solution for you. They come with solid state heat and humidity controls. For higher production, the insulated cabinet would be a better alternative for you as it will keep its temperature more constant even if you open the door frequently. It's the easiest way to proof!

Versatility:

Croissants, bagels, pastries, breads, rolls and much more.

DP6 DP6I (insulated)

“Superior **quality** product
at an **affordable** price !”

MOBILE PROOFER Standard Features DP6

- Polycarbonate door
- Adjustable temperature control up to 110°F (44°C)
- Exclusive rust proof, scratch proof shelving
- Universal pan slides that will hold sheet and service pans
- Aluminum construction
- Removable power assembly for easy cleaning and maintenance
- Powerful, efficient airflow system maintains the right combination of heat and humidity
- Lift-off hinges
- Water catch pan
- Drip trough
- NEMA 5-20P cord and plug
- 1700 watts
- 5" (127 mm) non-marking swivel casters with brakes
- ETL & NSF listed
- One year parts and labor limited warranty

OPTIONAL

- Solid aluminum door

Standard Features DP6I (insulated)

- Polycarbonate door
- Magnetic door handle
- Adjustable temperature control up to 110°F (44°C)
- Insulated cabinet
- Exclusive rust proof, scratch proof shelving
- Universal pan slides that will hold sheet and service pans
- Aluminum construction
- Removable power assembly for easy cleaning and maintenance
- Powerful, efficient airflow system maintains the right combination of heat and humidity
- Lift-off hinges
- Water catch pan
- Drip trough
- NEMA 5-20P cord and plug
- 1700 watts
- 5" (127 mm) non-marking swivel casters with brakes
- ETL & NSF listed
- One year parts and labor limited warranty

OPTIONAL

- Solid aluminum door

OVERALL DIMENSIONS

DP6 24 1/16" W X 31 1/8" D X 33 3/4" H
(611 mm X 790 mm X 857 mm)
DP6I 24 1/16" W X 31 1/8" D X 33 3/4" H
(611 mm X 790 mm X 857 mm)

PROOFER INTERIOR DIMENSIONS

DP6 20 3/4" W X 27 1/2" D X 19" H
(527 mm X 698 mm X 483 mm)
DP6I 20 3/4" W X 27 1/2" D X 19" H
(527 mm X 698 mm X 483 mm)

ELECTRICAL SYSTEM

DP6 120V- 14.5A
DP6I 120V- 14.5A

CAPACITY

Standard sheet pans 18" X 26" (457 mm X 660 mm): 6 pans
Food service pans 12" X 20" (305 mm X 508 mm): 12 pans
Half size sheet pans 18" X 13" (457 mm X 330 mm): 12 pans

Shelf spacing 3" (76 mm)

FINISH

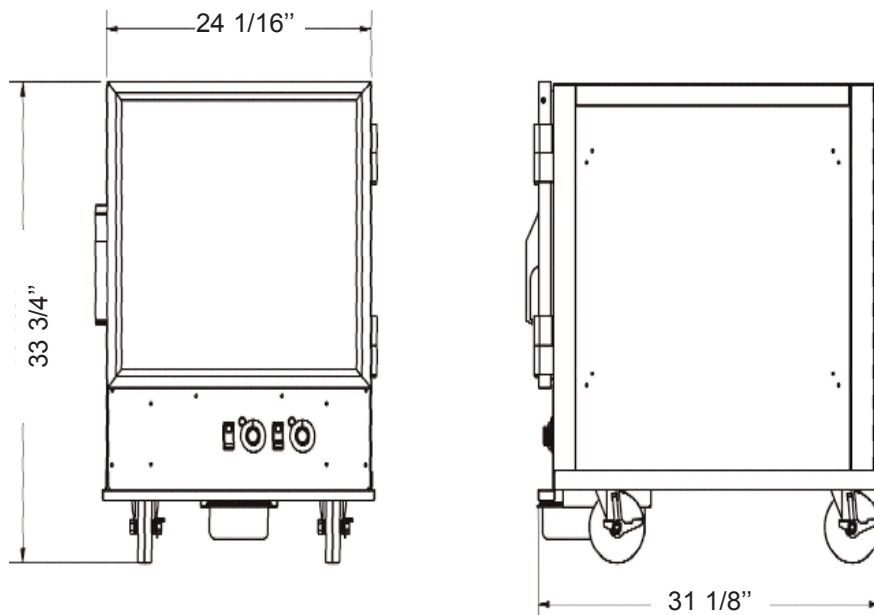
Aluminum

SHIPPING WEIGHT

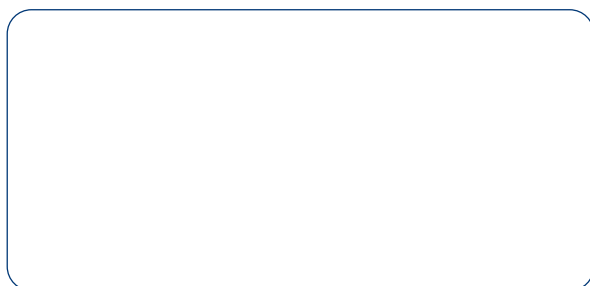
DP6 100 lb (45 kg) approximately
DP6I 100 lb (45 kg) approximately

Electrical service connection and water inlet are located at the back of the unit.

Specifications and design subject to change without notice.



Your local distributor:



1255, rue Principale
Linière, Beauce, Québec, Canada G0M 1J0

Tel: (418) 685-3431 Fax: (418) 685-3948
Canada : (800) 463-1636 U.S.: (800) 463-4273
E-Mail : doyon@doyon.qc.ca Internet: