



DWI17 & DPWI17
7 pans



DWI18 & DPWI18
18 pans

Insulated holding cabinets

“Superior *quality* product at an *affordable* price !”

Insulated Holding Cabinets

FEATURING DWI & DPWI Series

- Body construction of .063 aluminum, one piece extended base and solid extruded aluminum frame
- Fully insulated holding cabinet keeps prepared foods at serving temperature (180°F - 85°C)
- Versatile, can be used as a proofer or holding cabinet with or without moisture (DPWI7 & DPWI18 only)
- Powerful, efficient even airflow heating system
- Removable stainless steel bottom power assembly for easy cleaning and maintenance
- Easy to read thermometer and thermostat
- Heavy duty 3” (7.6 cm) non-marking swivel casters (2 with brakes)
- Reinforced brushed aluminum doors with heavy duty pull handles; standard with right hand hinges, left hand hinges upon request
- All construction is riveted and welded
- ETL listed
- One year parts and labor limited warranty

OPTIONAL

- Perimeter bumpers
- Moving handle
- Corner bumpers
- Stainless steel body construction

Holding Cabinets from Doyon

Doyon Hot holding cabinets can be used for holding various cooked products at serving temperature and moisture level.

OVERALL DIMENSIONS

DWI7 & DPWI7

22 3/4" W X 29" D X 35 1/2" H
(57.8 cm) X (73.7 cm) X (90.2 cm)

DWI18 & DPWI18

22 3/4" W X 29" D X 69" H
(57.8 cm) X (73.7 cm) X (175.3 cm)

INTERIOR DIMENSIONS

DWI7 & DPWI7

18 1/2" W X 28 3/4" D X 21 1/4" H
(47 cm) X (73 cm) X (54 cm)

DWI18 & DPWI18

18 1/2" W X 28 3/4" D X 54" H
(47 cm) X (73 cm) X (137.2 cm)

Shelf spacing 3" (7.6 cm)

ELECTRICAL SYSTEM

DWI7 & DWI18

120V - 1PH - 11.5A - 1.4 kW - 60Hz - 2 wires NEMA 5-15P

DPWI7 & DPWI18

120V - 1PH - 16A - 1.9 kW - 60 Hz - 2 wires NEMA 5-20P

208V - 1PH - 12A - 2.5 kW - 60 Hz - 2 wires NEMA 6-15P

240V - 1PH - 10A - 2.4 kW - 60 Hz - 2 wires NEMA 6-15P

230V - 1PH - 10A - 2.3 kW - 50 Hz - 2 wires NEMA 6-15P

WATER ENTRY

DWI7 & DWI18

N/A

DPWI7 & DPWI18

Manual

CAPACITY

DWI7 & DPWI7

7 standard sheet pans 18" X 26" (45.8 cm X 66 cm)

DWI18 & DPWI18

18 standard sheet pans 18" X 26" (45.8 cm X 66 cm)

FINISH

Aluminum

SHIPPING INFORMATION

DWI7 200 lbs (91 kg)

DPWI7 235 lbs (107 kg)

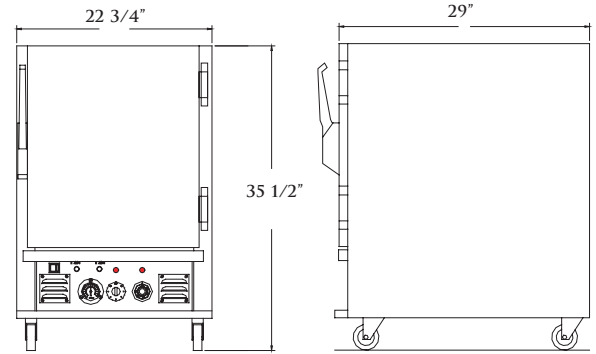
DWI18 300 lbs (136 kg)

DPWI18 300 lbs (114 kg)

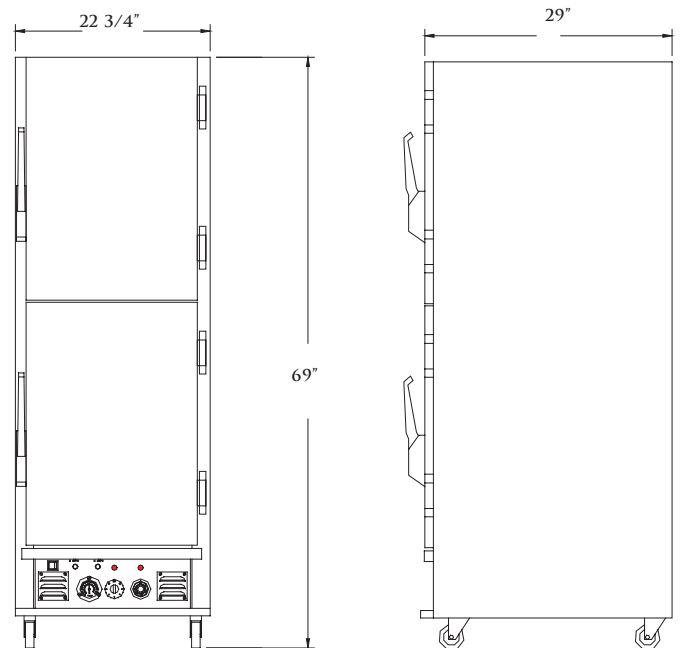
Electrical service connection located at the back of the unit.

Specifications and design subject to change without notice.

DWI7 & DPWI7



DWI18 & DPWI18



1255, rue Principale
Linière, Beauce, Québec, Canada G0M 1J0

Telephone.: 418-685-3431
Canada: 1-800-463-1636
E-mail : doyon@doyon.qc.ca

Fax: 418-685-3948
U.S.: 1-800-463-4273
Internet : <http://www.doyon.qc.ca>

Your local distributor:

