

DR45 Rounder

“Superior *quality* product
at an *affordable* price !”



DR45



Divider - Rounder combo kit
(shown with optional stacking rack)

DR45

FEATURING

- Rounds portions from 3.5 oz to 36 oz (100 g to 1000 g)
- Rounds up to 1800 portions per hour
- Stainless steel construction
- Easy cleaning (no tools required)
- One year parts and labor limited warranty

OPTIONAL

- Also available as a Divider - Rounder combo kit with optional stacking rack to divide and round up to 850 lb (386 kg) of dough per hour depending on dough consistency

Please note: DD10-DR45 combo allows to divide and round dough portions ranging from 3.5oz up to 28oz (100g up to 800g).

Please note: You may have to let the dough rest between dividing and rounding.

Professional Automatic Dough Rounder

Treat yourself to the best divider of the industry. Doyon's DR45 rounder is the best solution to save time, effort and labor expenses. The DR45 completely eliminates manual shaping of your dough in a compact space.

Dough portions from 3.5 oz up to 36 oz (100 g to 1000 g) can be gently and perfectly rounded in this compact rounder.

The DR45 can be completely taken apart without any tool for easy cleaning.

Ask your Doyon dealer about the dual function dough divider - rounder combo, which divides and rounds dough pieces in one step.

Dimensions

13 3/4" W X 22 1/2" D X 31 1/2"H
350 mm X 572 mm X 800 mm

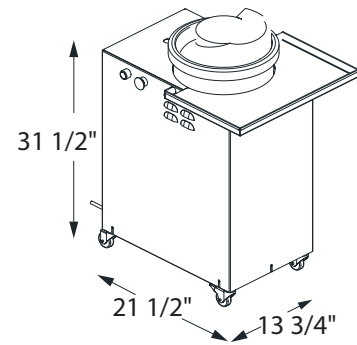
Electrical System

120V - 1 PH - 6A

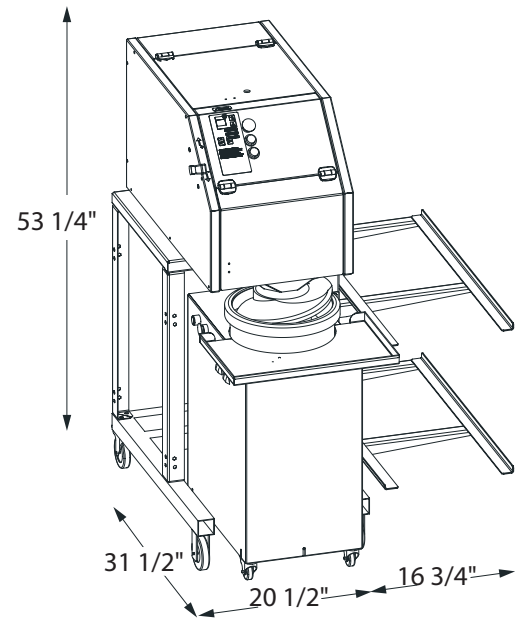
Crated Weight

215 lb (98 kg)

Specifications and design subject to change without notice.



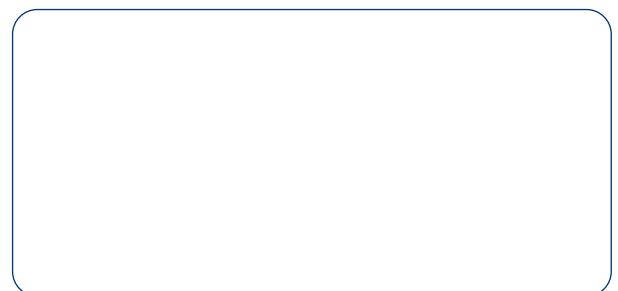
DR45



DD10 & DR45 Combo
(shown with optional rack)



Your local distributor:



1255, rue Principale
Linière, Beauce, Québec, Canada G0M 1J0

Telephone : (418) 685-3431 Fax: (418) 685-3948
Canada : (800) 463-1636 U.S.: (800) 463-4273
E-Mail : doyon@doyon.qc.ca Internet: <http://www.doyon.qc.ca>