



BREAD SLICER (SM302SG)

The Doyon SM302SG bread slicer is simply your best buy for slicing up to 120 loaves per hour in complete safety for the operator. Very compact it comes with a standard packing shelf on top and a semi automatic loaf pusher. Loaves are fed through the slicer by a weight assisted gravity chute.

SM302SG

NEW PRODUCT

The most secure
bread slicer in its
category!

“Superior *quality* product
at an *affordable* price !”

Bread slicer

FEATURING

- Bread slicer conform to the safety requirements of the CSST
- Conforms to article 192 of the RSST
- Conforms to article 7.17 of CSA Z432-04 standard
- Safe semi automatic bread pusher
- Two handed electric control with emergency stop. Requires the use of both hands of the operator, at the moment the operator releases one control, the slicer stops automatically
- Table model
- 15” (381 mm) wide blade holder
- Slices loaves of up to 5” (127 mm) high
- Up to 120 loaves/hour capacity
- Slices 5/8” (16 mm) thickness
- 13” (330 mm) long gravity infeed chute, limits access to moving parts
- 1/4 HP motor
- 120V - 6A - 60 Hz
- ETL listed
- One year parts and labor limited warranty

OPTIONAL

- SM302SGA : slices 3/4” (19 mm) thickness
- SM302SGB : slices 1/2” (13 mm) thickness
- SM302SGC : slices 1” (25 mm) thickness
- Stainless steel table on casters (SM302T)

OVERALL DIMENSIONS

26 5/8" W X 28 3/4" H X 28 7/8" D
(676 mm X 730 mm X 732 mm)

ELECTRICAL SYSTEM

120V - 1PH - 6 A - 0.7 kW - 60 Hz NEMA 5-15P

CAPACITY

Up to 120 loaves per hour

MAXIMUM LOAF SIZE

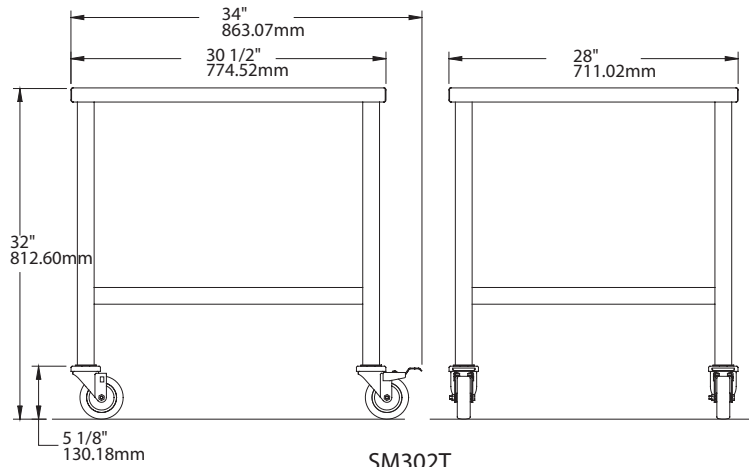
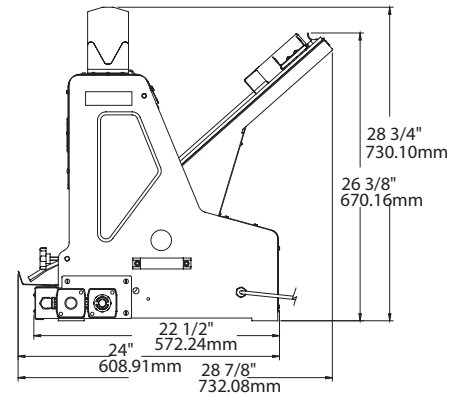
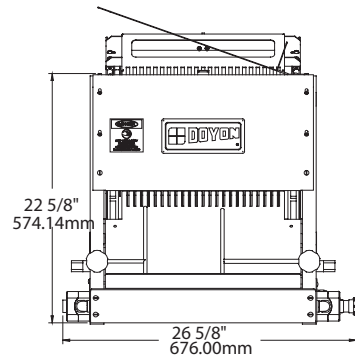
15" W X 5"H (381 mm X 127 mm)

SHIPPING WEIGHT

200 lb (91 kg) approximately

Specifications and design subject to change without notice.

SM302SG

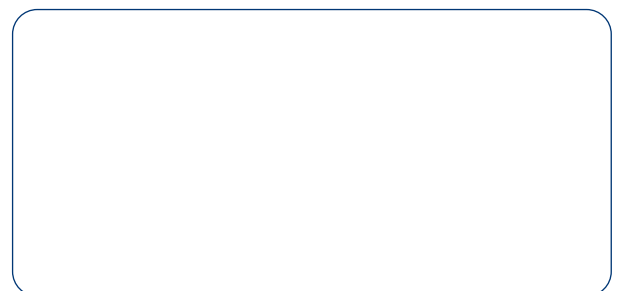


SM302T



Conforms to ANSI/UL std. 763
Certified to CSA C22.2 no. 1335.2.14

Your local distributor:



1255, rue Principale
Linière, Beauce, Québec, Canada G0M 1J0

Telephone : (418) 685-3431 Fax: (418) 685-3948
Canada : (800) 463-1636 U.S.: (800) 463-4273
E-Mail : doyon@doyon.qc.ca Internet: <http://www.doyon.qc.ca>