



Synergy Steam

DS-KTT

Direct Steam Tabletop Tilting Kettle



Project \_\_\_\_\_

Item No. \_\_\_\_\_

Quantity \_\_\_\_\_

- Model 10DS-KTT - 10 gallon (38 litres) direct steam table top tilting kettle
- Model 12DS-KTT - 12 gallon (45 litres) direct steam table top tilting kettle

CONSTRUCTION

- 304 stainless steel, one-piece welded construction
- 2/3 jacketed kettle
- All exposed surfaces shall be stainless steel
- Sturdy cast, chrome plated stainless steel arms for sturdy support
- No exposed steam piping. The steam supply enters through the left kettle support arm, through an integrated steam control valve into the jacket at the rotary joint, down through the support arm.
- Rim shall be reinforced with a welded butterfly shaped pouring lip, for pouring control and durability
- Right side handle for controlled pouring of kettle content
- Rear leg stops the kettle in the upright position
- Handy support arm mounted steam control valve eliminates counter or table top mounted control valves
- ASME shop-inspected, stamped and registered with the National Board for operation up to a maximum working pressure of 55 PSI

STANDARD FEATURES

- One year parts and labor warranty\*

\* For all international markets, contact your local distributor.

DS-KTT TABLETOP TILTING KETTLE

OPTIONS AND ACCESSORIES

(AT ADDITIONAL CHARGE)

- Basket inserts
- Lift off cover
- Steam trap assemblies
- 316 stainless steel interior



BLODGETT

www.blodgett.com

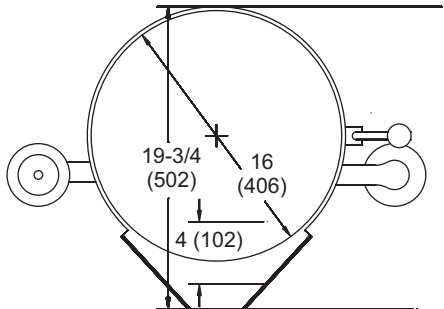
44 Lakeside Avenue, Burlington, VT 05401 • Phone: (802) 658-6600 • Fax: (802) 864-0183



# DS-KTT TABLETOP TILTING KETTLE



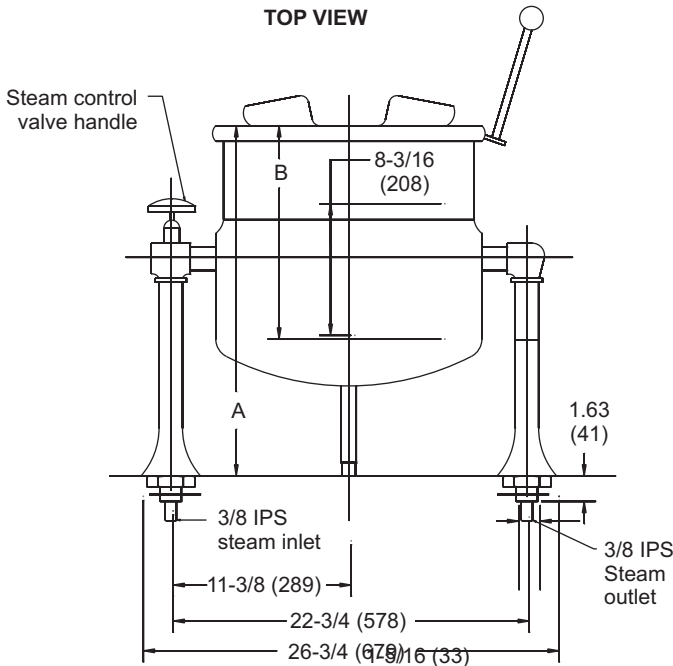
APPROVAL/STAMP



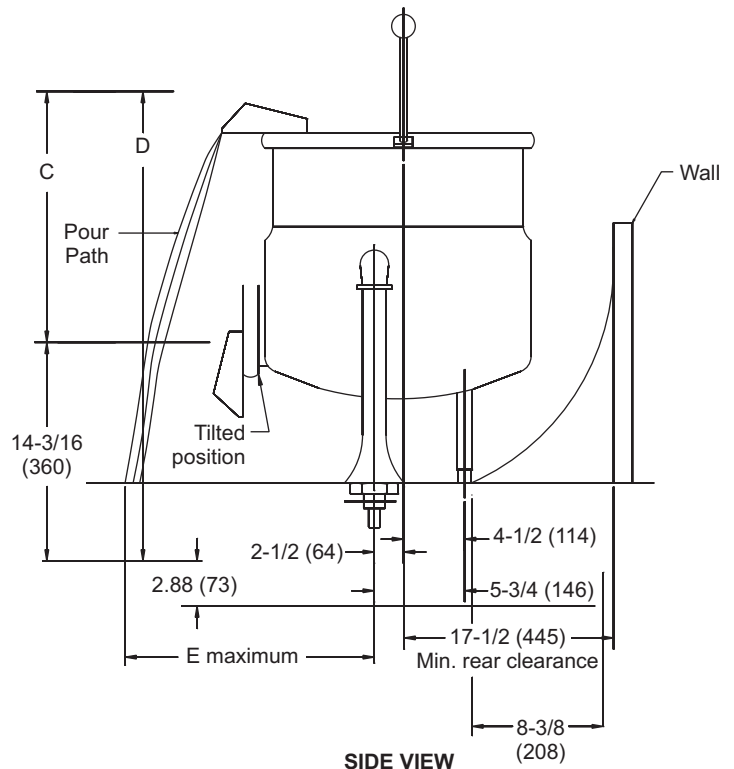
TOP VIEW

**NOTES:**

1. Dimensions are in inches (mm).



FRONT VIEW



SIDE VIEW

**SHORT FORM SPECIFICATIONS**

Provide Blodgett model 10DS-KTT (10 gallon) or 12DS-KTT (12 gallon) direct steam tabletop tilting kettle. Unit shall have full bottom hemisphere steam jacket with one piece welded construction of Type 304 stainless steel, and sturdy tubular support arms. Reinforced bar rim, with butterfly shaped pouring lip standard. Right side handle for controlled pouring of kettle contents. NSF listed, ASME code constructed and National Board registered. Operates dependably from 5 up to 55 PSI maximum. Integrated steam control valve standard. Steam and condensate connections required. Provide options and accessories as indicated.

	10DS-KTT	12DS-KTT
<b>A</b>	22.38 (568)	23.88 (606)
<b>B</b>	14.5 (368)	15.75 (400)
<b>C</b>	16.75 (425)	18.25 (464)
<b>D</b>	30.94 (762)	32.44 (824)
<b>E</b>	16 (406)	17.5 (445)

**MAXIMUM PRESSURE:**

55 PSI (379 kPa) (optional higher working pressure is available)

**NOTE:** The company reserves the right to make substitutions of components without prior notice.

**SHIPPING INFORMATION:**

**Approx. Weight:**

10DS-KTT 110 lbs. (50 kg)  
12DS-KTT 115 lbs. (52 kg)

**BLODGETT**

www.blodgett.com

44 Lakeside Avenue, Burlington, VT 05401 • Phone: (802) 658-6600 • Fax: (802) 864-0183