



Synergy Steam

DS-KLS Direct Steam Stationary Kettle



Project \_\_\_\_\_
Item No. \_\_\_\_\_
Quantity \_\_\_\_\_

- Model 20DS-KLS - 20 gallon (76 litres) direct steam stationary kettle
Model 40DS-KLS - 40 gallon (151 litres) direct steam stationary kettle
Model 60DS-KLS - 60 gallon (227 litres) direct steam stationary kettle
Model 80DS-KLS - 80 gallon (303 litres) direct steam stationary kettle

CONSTRUCTION

- 316 stainless steel, one-piece welded construction
2/3 jacketed kettle
All exposed surfaces shall be stainless steel
Heavy, durable bar rim with a continuous seal weld on the underside to ensure maximum durability and sanitation.
ASME shop inspected, stamped and registered with the National Board for operation up to a maximum working pressure of 25 PSI

STANDARD FEATURES

- Faucet bracket
One-piece, hinged design dome cover on 20 and 40 gallon units.
One-piece domed cover with counter balanced spring-assist on 60, 80 and 100 gallon units
2" sanitary tangent drawoff
Removable 1/4" perforates stainless steel strainer
One year parts and labor warranty\*

\* For all international markets, contact your local distributor.



DS-KLS STATIONARY KETTLE

OPTIONS AND ACCESSORIES

(AT ADDITIONAL CHARGE)

- Etched markings
Gallons
Litres
Faucets
Single pantry faucet
Double pantry faucet
Strainer
1/8" perforated disc strainer
1/4" perforated disk strainer
Solid disc strainer
Basket inserts
Higher working pressure
3" tangent drawoff
Cold water cooling
Steam trap assemblies
Kettle brush kit
Steam regulators
Contour measuring strip

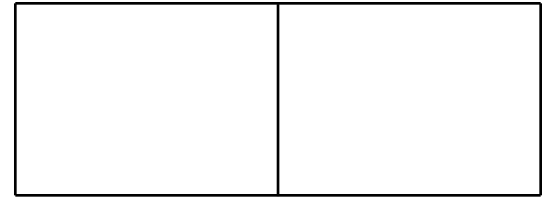
BLODGETT

www.blodgett.com

44 Lakeside Avenue, Burlington, VT 05401 • Phone: (802) 658-6600 • Fax: (802) 864-0183



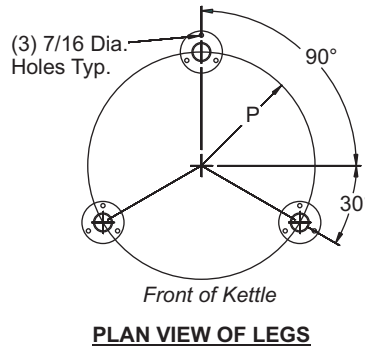
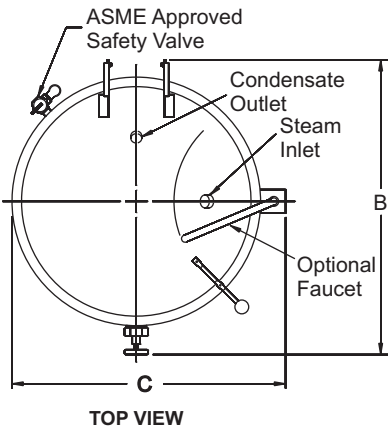
## DS-KLS STATIONARY KETTLE



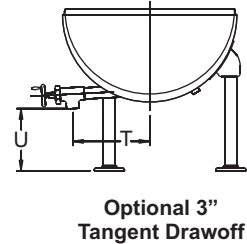
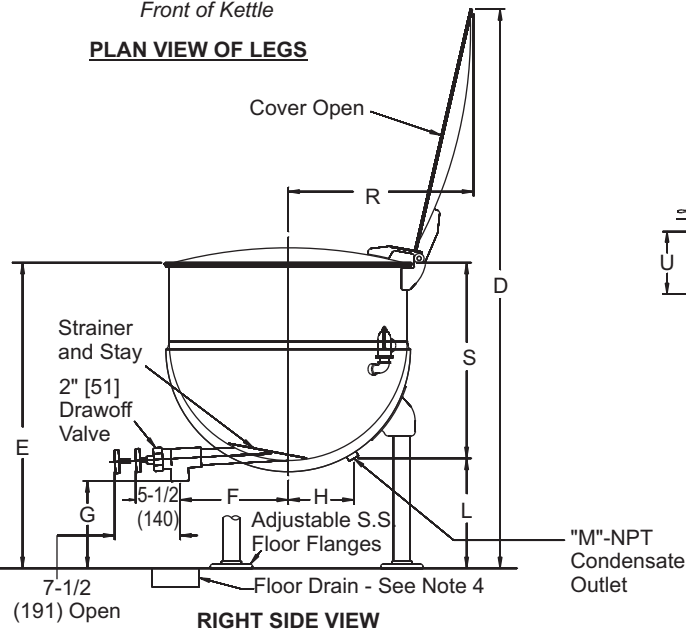
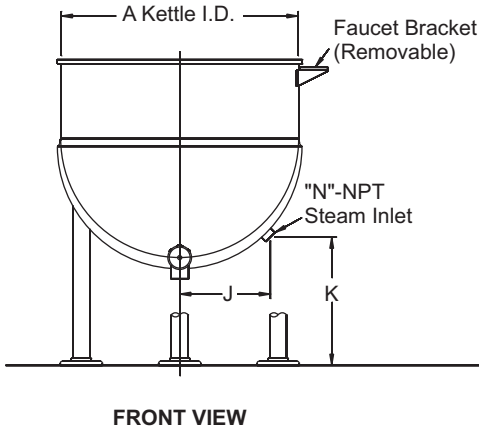
### APPROVAL/STAMP

#### NOTES:

1. Kettle must be securely anchored to the floor. Floor flanges are threaded and height adjustable.
2. Sanitary (1) piece dome cover shown - furnished on 20 & 40 gallon sizes.
3. Model #51 counter balanced cover furnished on kettles 60 gallon and over.
4. Position center of tangent drawoff spout 4"-5" over floor drain for proper drainage.
5. Dimensions are in inches [mm].



NOTE : Cover Not Shown In This View



#### SHORT FORM SPECIFICATIONS

Provide Blodgett model 20DS-KLS (20 gallon), 40DS-KLS (40 gallon), 60DS-KLS (60 gallon) or 80DS-KLS (80 gallon) direct steam stationary kettle. Unit shall be solid one-piece welded construction with heavy duty reinforced bar rim. 2" sanitary tangent drawoff standard. 20- and 40-gallon units filled with one-piece hinged dome cover. NSF listed, ASME code constructed for 25 PSI. Steam trap assembly and direct steam source required. Provide options and accessories as indicated.

#### MAXIMUM PRESSURE (all models):

25 PSI (173 kPa) (optional higher working pressure is available)

#### SHIPPING INFORMATION:

##### Approx. Weight:

20DS-KLS	170 lbs. (77 kg)
40DS-KLS	220 lbs. (100 kg)
60DS-KLS	235 lbs. (107 kg)
80DS-KLS	252 lbs. (115 kg)

**NOTE:** The company reserves the right to make substitutions of components without prior notice.

	20DS-KLS	40DS-KLS	60DS-KLS	80DS-KLS
<b>A</b>	20 (508)	26 (660)	30 (762)	32 (813)
<b>B</b>	27.5 (699)	33 (838)	37 (940)	38 (965)
<b>C</b>	24 (610)	30 (762)	34 (864)	36 (914)
<b>D</b>	59 (1499)	65 (1651)	67 (1702)	73 (1854)
<b>E</b>	36 (914)	36 (914)	39 (991)	43 (1092)
<b>F</b>	12 (305)	14.5 (368)	15 (381)	15 (381)
<b>G</b>	15.75 (400)	11.75 (299)	11.75 (299)	11.75 (299)
<b>H</b>	5.5 (140)	7(178)	8 (203)	8 (203)
<b>J</b>	8 (203)	10.25 (260)	11.5 (292)	12.25 (311)
<b>K</b>	17.88 (479)	15.75 (400)	16.25 (413)	16.5 (419)
<b>L</b>	17 (432)	14 (356)	13.5 (343)	14 (356)
<b>M</b>	0.5 (13)	0.5 (13)	0.5 (13)	0.75 (19)
<b>N</b>	0.5 (13)	0.75 (19)	0.75 (19)	1 (26)
<b>P</b>	9.25 (235)	11.75 (299)	13.5 (343)	14.25 (362)
<b>R</b>	18 (457)	25 (635)	N/A	N/A
<b>S</b>	18.5 (470)	22 (559)	25 (635)	29 (734)
<b>T</b>	14 (356)	16 (406)	17 (432)	17 (432)
<b>U</b>	14.75 (375)	10.75 (273)	10.75 (273)	10.75 (273)

#### BLODGETT

[www.blodgett.com](http://www.blodgett.com)

44 Lakeside Avenue, Burlington, VT 05401 • Phone: (802) 658-6600 • Fax: (802) 864-0183