



Synergy Steam

DS-KPT

Direct Steam Pedestal Base Tilting Kettle



DS-KPT PEDESTAL BASE TILTING KETTLE

Project _____

Item No. _____

Quantity _____

- Model 20DS-KPT - 20 gallon (76 litres) direct steam pedestal tilting kettle
- Model 40DS-KPT - 40 gallon (151 litres) direct steam pedestal tilting kettle
- Model 60DS-KPT - 60 gallon (227 litres) direct steam pedestal tilting kettle

CONSTRUCTION

- 316 stainless steel, one-piece welded construction
- 2/3 jacketed kettle
- All exposed surfaces shall be stainless steel
- Heavy, durable bar rim with a continuous seal weld on the underside to ensure maximum durability and sanitation.
- Trunnion-mounted to stainless steel yoke stand with pedestal base. Pedestal is flanged down vertically to ensure proper sealing and easy mounting to floor or deck
- Self-locking gear tilt mechanism and rotary steam joint are completely enclosed in stainless steel housing, mounted on the right kettle support arm
- Large hand crank provides easy operator tilting and precise pouring control
- Heavy-duty, butterfly-shaped pouring lip welded to the top rim of kettle to ensure proper pouring control at all times
- ASME shop-inspected, stamped and registered with the National Board for operation up to a maximum working pressure of 25 PSI

STANDARD FEATURES

- Faucet bracket
- One year parts and labor warranty*

* For all international markets, contact your local distributor.



OPTIONS AND ACCESSORIES

(AT ADDITIONAL CHARGE)

- Etched markings
 - Gallons
 - Litres
- Strainers
 - 1/8" perforated disc strainer
 - 1/4" perforated disk strainer
 - Solid disc strainer
 - Lip strainer
- Faucets
 - Single pantry
 - Double pantry
- Tangent Draw Off
 - 2" draw off valve
 - 3" draw off valve
- Lift-off cover
- Basket inserts
- Cold water cooling
- Steam trap assemblies
- Kettle brush kit
- Pan carrier for 40 and 60 gallon kettles
- Steam regulator
- Contour measuring strip

BLODGETT

www.blodgett.com

44 Lakeside Avenue, Burlington, VT 05401

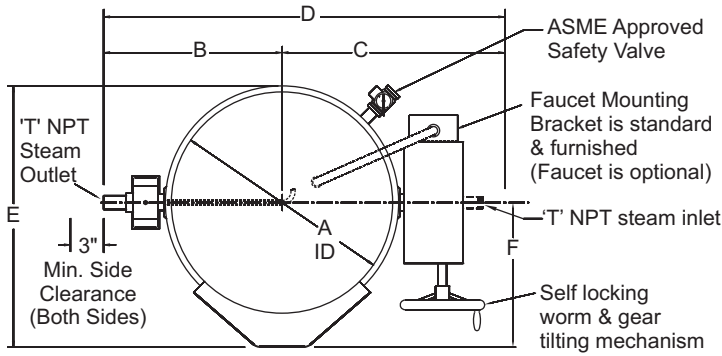
Phone: (802) 658-6600 • Fax: (802) 864-0183



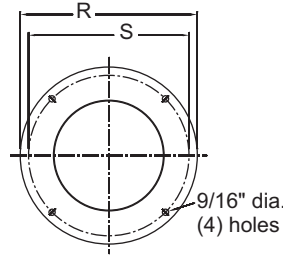
DS-KPT PEDESTAL BASE TILTING KETTLE



APPROVAL/STAMP



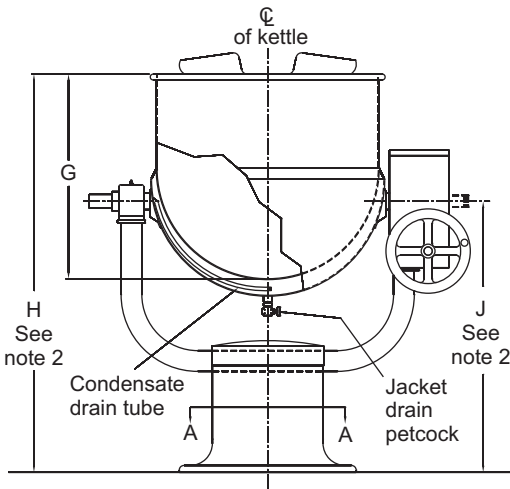
TOP VIEW



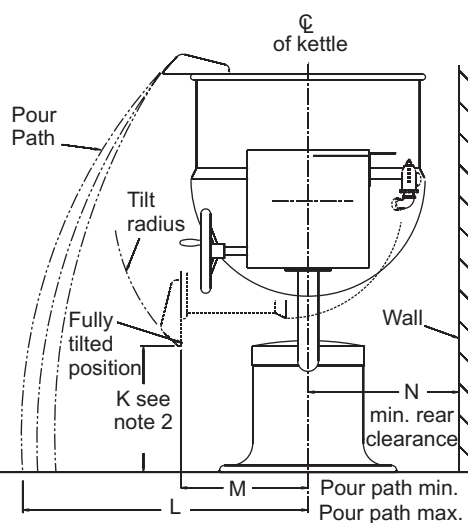
SECTION A-A
Floor Mounting Layout

NOTES:

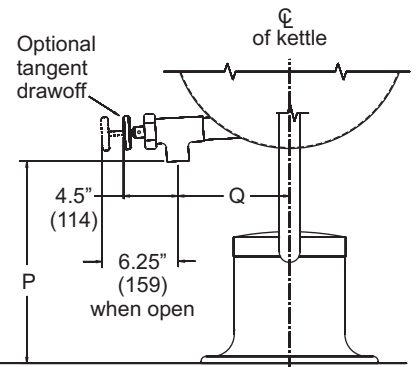
1. 2" tangent drawoff and valve furnished with specified at extra cost.
2. For kettles with 2" tangent drawoff, add 5" (20 gal.) and 7" (40 gal.) to dimensions H, J and K.
3. Approx. 5 PSI required to push condensate up drain tube.
4. Pedestal must be securely anchored and sealed to the floor.
5. If tangent drawoff is required on 60 gal kettle, order trileg kettle.
6. Dimension are in inches (mm).



FRONT VIEW



SIDE VIEW



SHORT FORM SPECIFICATIONS

Provide Blodgett model 20DS-KPT (20 gallon), 40DS-KPT (40 gallon) or 60DS-KPT (60 gallon) direct steam pedestal base tilting kettle. Unit shall solid one-piece welded construction of type 316 stainless steel liner and 304 stainless steel jacket with heavy reinforced bar rim and pouring lip welded to top rim of kettle, mounted on pedestal and yoke stand. Quick-action self-locking worm gear tilt mechanism standard. NSF listed. ASME code- constructed and National Board registered for operation up to 25 PSI. Provide options and accessories as indicated.

MAXIMUM PRESSURE (all models):

25 PSI (173 kPa) (optional higher working pressure is available)

SHIPPING INFORMATION:

Approx. Weight:

20DS-KPT	235 lbs. (107 kg)
40DS-KPT	275 lbs. (125 kg)
60DS-KPT	309 lbs. (140 kg)

NOTE: The company reserves the right to make substitutions of components without prior notice.

	20DS-KPS	40DS-KPS	60DS-KPS
A	20 (508)	26 (660)	30 (762)
B	16.13 (410)	19.25 (489)	21.25 (540)
C	20.13 (511)	23.75 (603)	25.75 (654)
D	36.25 (921)	43 (1092)	47 (1194)
E	23 (584)	30 (762)	34 (864)
F	13 (330)	17 (432)	19 (483)
G	18.5 (470)	22 (559)	25 (635)
H	36 (914)	38.5 (978)	43 (1054)
J	24.5 (622)	26 (660)	28.5 (679)
K	10.63 (270)	9 (229)	7.75 (197)
L	36 (914)	38 (965)	42 (1067)
M	11.5 (292)	12.5 (318)	14.5 (368)
N	12 (305)	15 (381)	16 (406)
P	14.75 (375)	13.75 (349)	N/A
Q	11.5 (292)	12.5 (318)	N/A
R	16 (406)	16 (406)	18 (457)
S	14.5 (368)	14.5 (368)	16.5 (419)
T	0.5 (13)	0.75 (19)	0.75 (19)

BLODGETT

www.blodgett.com • 44 Lakeside Avenue, Burlington, VT 05401 • Phone: (802) 658-6600 • Fax: (802) 864-0183