



Synergy Steam

**(2)E-SN**

Stacked Electric Convection Steamers



(2)5E-SN

**OPTIONS AND ACCESSORIES**

(AT ADDITIONAL CHARGE)

- Water Treatment System
- Stacking kit
- Pan racks for support stand
- Single water connection (cold water)
- 4" adjustable legs

**CAPACITY**

| Pan Size         | (2)3E-SN | (2)5E-SN |
|------------------|----------|----------|
| 12" x 20" x 1"   | 12 pans  | 20 pans  |
| 12" x 20" x 2.5" | 6 pans   | 10 pans  |
| 12" x 20" x 4"   | 4 pans   | 6 pans   |



Project \_\_\_\_\_

Item No. \_\_\_\_\_

Quantity \_\_\_\_\_

- Model (2)3E-SN (two 3 pan electric tabletop convection steamers on a stand)
- Model (2)5E-SN (two 5 pan electric tabletop convection steamers on a stand)

**CONSTRUCTION**

- Stainless steel construction
- Stainless steel doors with strong continuous hinge and are field reversible for left or right swing
- Insulated doors have a one piece, replaceable seal
- Easy open handle and latch provide positive lock and seal when the door is pushed or slammed shut
- Hidden magnetic door switch cuts power to blower and steam flow to that cavity, when the door is opened
- Pan support racks shall be polished stainless steel and removable for easy cleaning
- Stainless steel condensate collection tray positioned under cavity door
- Electric heating elements are replaceable from the side.
- Split water lines

**OPERATION**

- Steamer cavity controls are mounted on the front panel for easy access
- Steamer cavity controls include an ON-OFF power touch pad; 60-minute electro-mechanical timer, with continuous steam setting; and READY light which indicates when cavity is ready for steaming.
- Auto-Delime button initiates deliming cycle. DELIME indicator light warns operator of need to delime generator.
- Separate ON-OFF/60 minute timer control with constant steam setting, for each steamer cavity.
- Unit will shut off if water level is low or unit builds too much pressure
- When power switch is turned off, unit automatically blows down the steam generator, to reduce sediment build-up.
- Powerful side mounted blower, which increases steam velocity and provides efficient steam distribution throughout cavity and between loaded pans.
- Electric-heated, rear-mounted steam generator to provide atmospheric steam to the chamber at a temperature of approximately 212°F.
- Steam generator has an electric water sensor.
- Steam generator delivers 2.6 KW (3 pan) or 3.1 KW (5 pan) power input per 2-1/2" deep steam pan.
- 8-10 minutes heat-up time to READY under normal conditions. Cavities are kept warm and ready for instant steam between loads. No cavity warm up required, after READY light comes on.

**STANDARD FEATURES**

- Stainless steel stand
- One year parts and labor warranty\*

\* For all international markets, contact your local distributor.

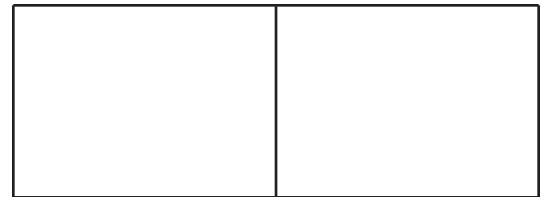
**(2)E-SN STACKED CONVECTION STEAMER**

**BLODGETT**

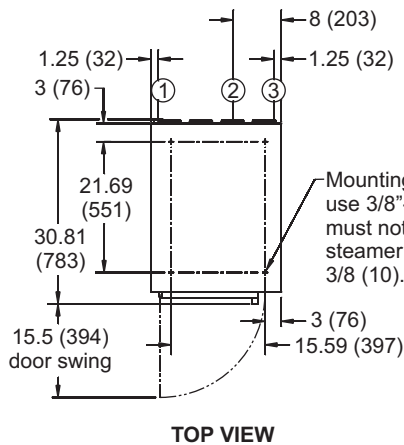
44 Lakeside Avenue, Burlington, VT 05401 • Phone: (802) 658-6600 • Fax: (802) 864-0183



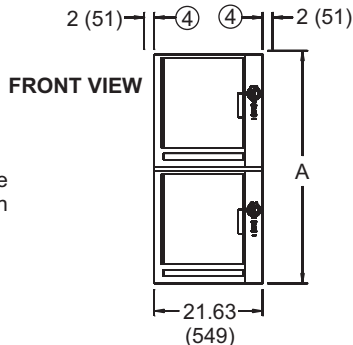
# (2)E-SN STACKED CONVECTION STEAMER



APPROVAL/STAMP

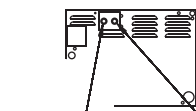


TOP VIEW



FRONT VIEW

REAR OF STEAMER

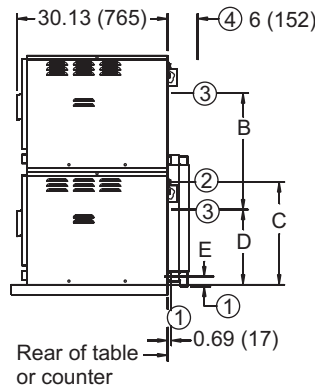


DETAIL VIEW  
water connections  
(if second connection  
ordered)

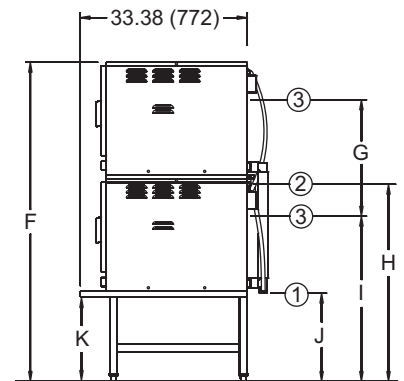
Untreated water supply connection  
Treated water supply connection

**NOTES:**

1. Drain connection 1-1/2" tube (drain free venting)
2. Cold water supply at 30-60 PSIG with a flow rate of 1.00-2.00 GPM and with a 3/4" NH connection.
3. Two electrical connection: 3/4" conduit fitting. See electrical requirement table.
4. Minimum side and rear clearance.
5. Dimensions are in inches (mm).



SIDE VIEWS



**SHORT FORM SPECIFICATIONS**

Provide Blodgett model (2)3E-SN (6 pan) or (2)5E-SN (10 pan) pressureless steamer with self-contained, atmospheric electric-heated steam generator. All stainless steel construction, with powerful blower to circulate steam within cavity. Standard operating controls including: 60-minute electromechanical timer, constant steam setting, ready light and delime cycle button to initiate deliming. Simple generator deliming through port on top. Door is field-reversible, with easy-open latch and hidden magnetic door switch. The atmospheric steam generator requires no pressure gauge or switches, has automatic drain and 16 KW for (2)3E-SN or 31 KW for (2)5E-SN power input. Unit shall come up to steam in 8-10 minutes from a cold start, and provide warm cavity instant steam capability and split water lines. Provide options and accessories as indicated.

**WATER SUPPLY:**

Water quality is a major factor affecting the performance of your steamer. If you are unsure of water quality, consult a local water treatment specialist and have the water analyzed. Your water supply must be within these general guidelines:

Total dissolved solids: Less than 30 PPM    Total alkalinity: Less than 20 PPM  
Silica: Less than 13 PPM    Chlorine: Less than 1.5 PPM  
pH Factor: 7.0 - 9.0

Water which fails to meet these standards should be treated by installation of a water conditioner. Failure or malfunction of this steamer due to poor water quality is not covered under warranty.

**WATER & DRAIN CONNECTIONS:**

Drain 1-1/2" NPT free venting drain  
Cold Water Two 3/4" NPT cold water supply lines. Additional cold water connections are provided or spray condenser.

Appliance is to be installed with backflow protection in accordance with Federal, State or Local codes.

**NOTE:** The company reserves the right to make substitutions of components without prior notice.

**POWER SUPPLY**  
(per steamer cavity)

| VAC  | Phase | (2)3E-SN |        | (2)5E-SN |        |
|------|-------|----------|--------|----------|--------|
|      |       | Amps     | Max kW | Amps     | Max kW |
| 208V | 1     | 39       | 8      | 74.5     | 15.5   |
|      | 3     | 23       | 8      | 44       | 15.5   |
| 240V | 1     | 33       | 8      | 64.6     | 15.5   |
|      | 3     | 20       | 8      | 38.2     | 15.5   |
| 480V | 1     | 17       | 8      | n/a      | n/a    |
|      | 3     | 10       | 8      | 19.1     | 15.5   |

**SHIPPING INFORMATION:**

Approx. Weight:  
(2)3E-SN 390 lbs. (177 kg)  
(2)5E-SN 488 lbs. (221 kg)

|   | (2)3E-SN    | (2)5E-SN     |
|---|-------------|--------------|
| A | 33 (838)    | 46.5 (1181)  |
| B | 17 (432)    | 23.5 (597)   |
| C | 14 (356)    | 20.5 (520)   |
| D | 12 (305)    | 15 (381)     |
| E | 0.38 (10)   | 1.63 (41)    |
| F | 61 (1549)   | 64.38 (1635) |
| G | 17 (432)    | 23.5 (597)   |
| H | 42 (1067)   | 39 (991)     |
| I | 40 (1016)   | 33.5 (851)   |
| J | 27.63 (701) | 20.13 (511)  |
| K | 28 (711)    | 20 (508)     |

**BLODGETT**

44 Lakeside Avenue, Burlington, VT 05401 • Phone: (802) 658-6600 • Fax: (802) 864-0183