



(2)G-SBC
Gas Boiler Free
Stacked Convection Steamers



(2)5G-SBC

OPTIONS AND ACCESSORIES

(AT ADDITIONAL CHARGE)

- Pan racks for support stand
- Flanged foot kit for support stand
- Caster kit for support stand
- Heat shield kit
- 4" adjustable legs



Project _____

Item No. _____

Quantity _____

- Model (2)3G-SBC (two 3 pan gas boiler free steamer with plumbing connections on a stand)
- Model (2)5G-SBC (two 5 pan gas boiler free steamer with plumbing connections on a stand)

CONSTRUCTION

- Stainless steel construction
- Stainless steel doors with strong continuous hinge and are field reversible for left or right swing
- Insulated doors have a one piece, replaceable seal
- Easy open handle and latch provide positive lock and seal when the door is pushed or slammed shut
- Hidden magnetic door switch cuts power to blower and steam flow to that cavity, when the door is opened
- Pan support racks shall be polished stainless steel and removable for easy cleaning
- Gas connectionless steam reservoir is easy to clean through the cavity door.

OPERATION

- ON-OFF rocker switch
- Electronic timer with continuous steam setting
- Timed steam and stop buttons
- Ready light indicates when cavity is ready for steaming
- Unit shall come ready to steam in 15 minutes from a cold start, and provide warm cavity-instant steam capacity. Cavity is kept warm and ready for instant steam between loads.
- Each steamer cavity shall have a powerful side mounted blower, which increases steam velocity and provides efficient steam distribution throughout cavity and between loaded pans and no side vents for increased water/spray resistance.
- Steam generating reservoir provides atmospheric steam to the cavity at a temperature of approximately 212° F.
- Gas heater with infrared burners
- Steamer shall have a steam lid positioned over the steam generating reservoir to ensure that adding/removing food does not lower the cavity or water temperature.
- Automatic drain in steam reservoir

CAPACITY

Pan Size	(2)3G-SBC	(2)5G-SBC
12" x 20" x 1"	12 pans	20 pans
12" x 20" x 2.5"	6 pans	10 pans
12" x 20" x 4"	4 pans	6 pans

STANDARD FEATURES

- Stainless steel stand
- One year parts and labor warranty*

* For all international markets, contact your local distributor.

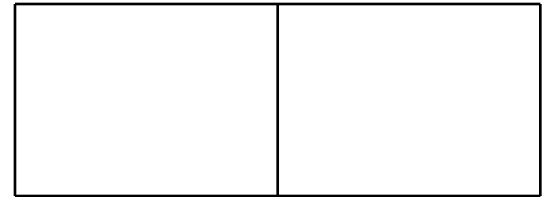
(2)G-SBC BOILER FREE CONVECTION STEAMERS

BLODGETT

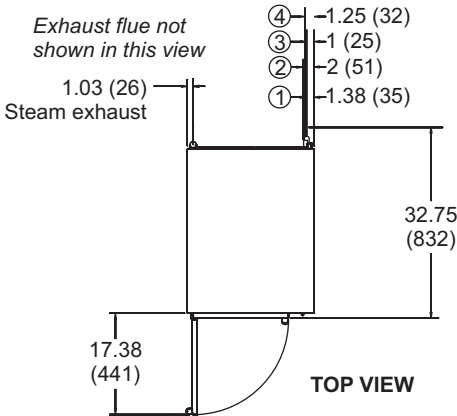
44 Lakeside Avenue, Burlington, VT 05401 • Phone: (802) 658-6600 • Fax: (802) 864-0183



(2)G-SBC BOILER FREE STEAMERS

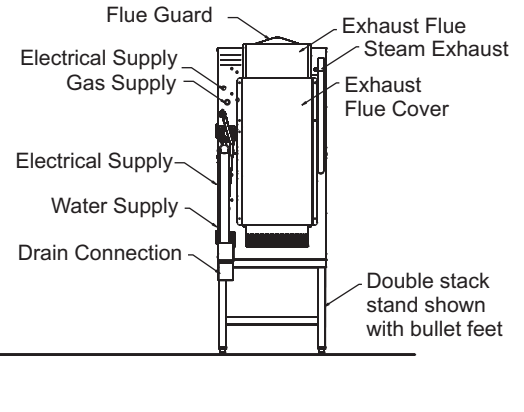
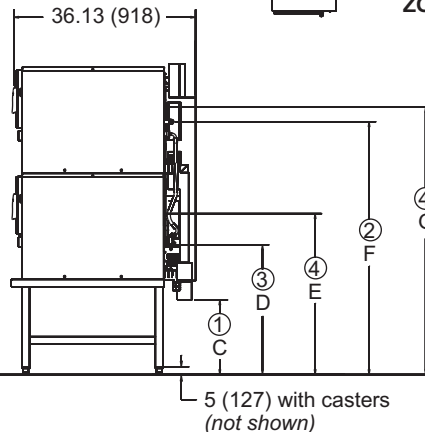
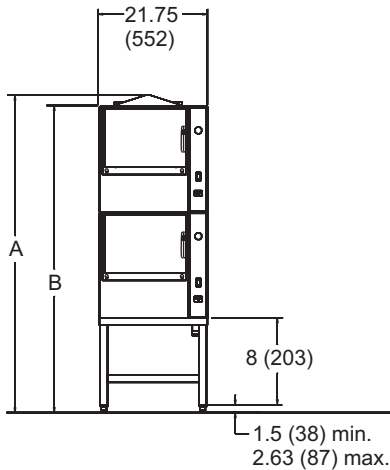
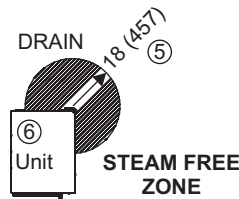


APPROVAL/STAMP



NOTES:

- Drain connection:** 2.5 (64) hose type (drain free venting). DO NOT connect directly to drain, allow 2" air gap.
- Gas connection:** 1/2" FPT
- Water supply:** 3/4" male hose connection. 30 to 60 PSIG with a flow rate of 1.5-3.0 GPM. Pressure regulation is required for water pressure over 60 PSI. DO NOT use treated water.
- Electrical connection:** conduit hose size = 13/16" hole.
- If the floor drain only services this steamer, then the drain may be located within the steam free zone. Steam free zone must be observed if other appliances cause steam at the floor drain.
- Do not install steamer directly above steam venting floor drains.
- Dimensions are in inches (mm).



SHORT FORM SPECIFICATIONS
 Provide Blodgett model (2)3G-SBC (6 pan) or (2)G-SBC (10 pan) boilerfree steamer with with self-contained, atmospheric, gas heated steam generating reservoir on a stand. Construction shall be all stainless steel. Cavity shall have a powerful side-mounted blower to circulate steam. Standard operating controls shall include: an on-off rocker switch; electronic timer, with continuous steam, timed steam and stop buttons; READY light. Door shall be field-reversible and shall be equipped with an easy-open latch and hidden magnetic door switch. The atmospheric steam generating reservoir shall not require a pressure gauge or switches; shall have an automatic drain and shall have an infrared burner with heating capacity of 108,000 BTU/hr for (2)3G-SBC and 124,000 BTU/hr for (2)5G-SBC. Steamer shall come up to READY in 15 minutes from a cold start and shall provide warm cavity, instant steam capability. Provide options and accessories as indicated.

	(2)3G-SBC	(2)5G-SBC
A	63.06 (1601)	66.63 (1693)
B	61.06 (1551)	64.69 (1642)
C	14.81 (377)	6.31 (160)
D	25.75 (655)	17.44 (443)
E	32 (812)	24.50 (622)
F	50.25 (1276)	48.13 (1223)
G	53.13 (1349)	52.13 (1324)

MAXIMUM INPUT:
 (2)3G-SBC 108,000 BTU
 (2)5G-SBC 124,000 BTU

MINIMUM REQUIRED CLEARANCES:
 Left and right side 2" (51mm)
 Rear 6" (152mm)

SHIPPING INFORMATION:
 (2)3G-SBC 486 lbs. (220 kg)
 (2)5G-SBC 555 lbs. (252 kg)

GAS SUPPLY:
Minimum Inlet Pressure:
 Natural 4.3" W.C. static to unit
 Propane 10.5" W.C. static to unit

POWER SUPPLY (per cavity):
 115 volt, single phase, 60 cycle 15 AMP electric service, 4 AMP maximum load

NOTE: The company reserves the right to make substitutions of components without prior notice.

BLODGETT

44 Lakeside Avenue, Burlington, VT 05401 • Phone: (802) 658-6600 • Fax: (802) 864-0183