



Synergy Steam

(2)5G-SN Stacked Gas Convection Steamers



OPTIONS AND ACCESSORIES

(AT ADDITIONAL CHARGE)

- Water Treatment System
- Stacking kit
- Pan racks for support stand
- Single water connection (cold water)



Project _____

Item No. _____

Quantity _____

- Model (2)5G-SN (two 5 pan gas tabletop convection steamers on a stand)

CONSTRUCTION

- Stainless steel construction
- Stainless steel doors with strong continuous hinge and are field reversible for left or right swing
- Insulated doors have a one piece, replaceable seal
- Easy open handle and latch provide positive lock and seal when the door is pushed or slammed shut
- Hidden magnetic door switch cuts power to blower and steam flow to that cavity, when the door is opened
- Pan support racks shall be polished stainless steel and removable for easy cleaning
- Stainless steel condensate collection tray positioned under cavity door

OPERATION

- Steamer cavity controls include an ON-OFF power touch pad; 60 minute mechanical timer, with continuous steam setting; and READY light which indicates when cavity is ready for steaming.
- Auto-Clean button initiates deliming cycle. DELIME indicator light warns operator of need to delime generator.
- Gas-heated, rear-mounted steam generator to provide atmospheric steam to the chamber at a temperature of approximately 212° F.
- Unit will shut off if water level is low or unit builds too much pressure
- The high-efficiency steam generator has an electric water sensor and a 62,000 BTU/hr firing rate.
- Each steamer cavity shall have a powerful side mounted blower, which increases steam velocity and provides efficient steam distribution throughout cavity and between loaded pans.
- Steam generator delivers 12,400 BTU/hr power input per 2-1/2" deep steam pan.
- Standing pilot with electronic ignition system
- 8-10 minutes heat-up time to READY under normal conditions. Cavities are kept warm and ready for instant steam between loads. No cavity warm up required, after READY light comes on.

CAPACITY

Pan Size	(2)5G-SN
12" x 20" x 1"	20 pans
12" x 20" x 2.5"	10 pans
12" x 20" x 4"	6 pans

STANDARD FEATURES

- Push button auto clean feature
- Stainless steel stand
- One year parts and labor warranty*

* For all international markets, contact your local distributor.

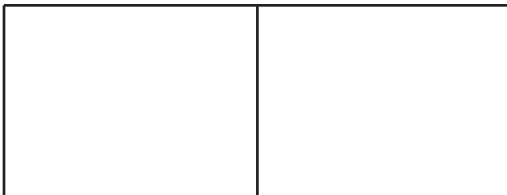
(2)5G-SN STACKED CONVECTION STEAMER

BLODGETT

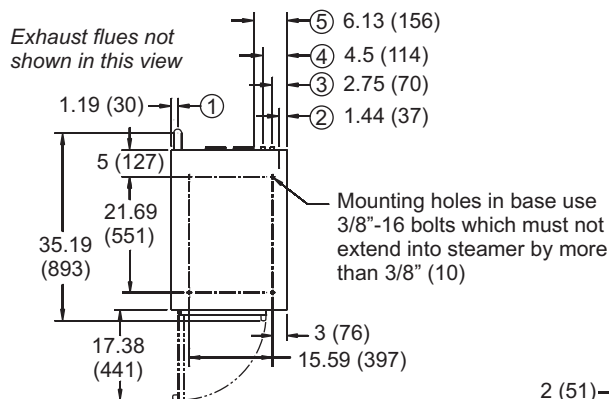
44 Lakeside Avenue, Burlington, VT 05401 • Phone: (802) 658-6600 • Fax: (802) 864-0183



(2)5G-SN STACKED CONVECTION STEAMER

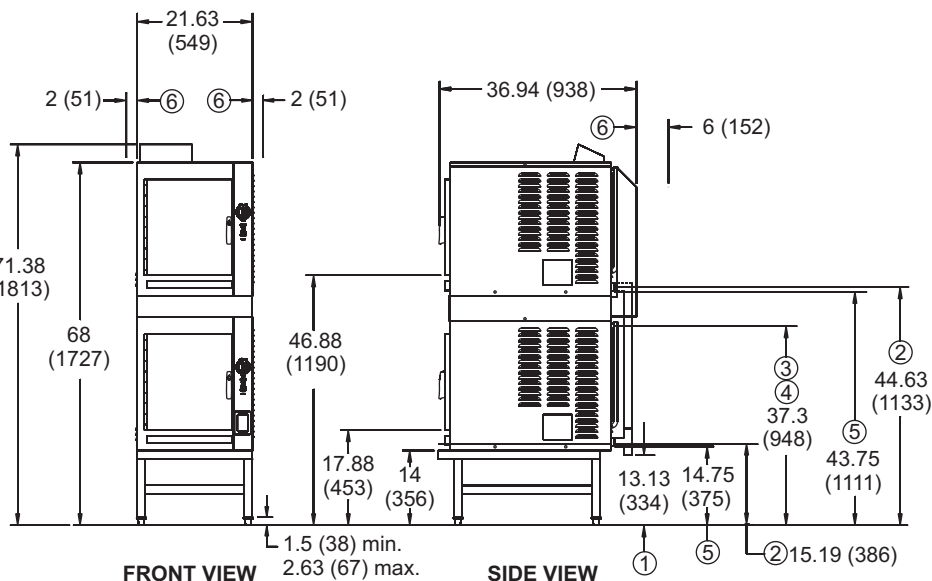
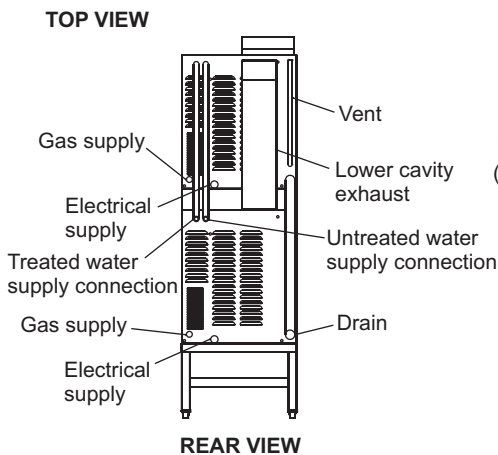


APPROVAL/STAMP



NOTES:

1. Drain connection 2" (51) tube (drain free venting).
2. Gas connection 1/2" NPT minimum
3. Treated water supply at 30-60 PSIG with a flow rate of 0.75-1.50 GPM and with a 3/4" NH connection.
4. Untreated water supply at 30-60 PSIG with a flow rate of 0.75-1.50 GPM and with a 3/4" NH connection.
5. One electrical connection 7/8" hole
6. Minimum rear and side clearances.
7. Dimensions are in inches (mm).



SHORT FORM SPECIFICATIONS

Provide Blodgett model (2)5G-SN (10 pan) pressureless steamer with self-contained, atmospheric gas heated steam generator. All stainless steel construction with powerful blower to circulate steam within each cavity. Standard operating controls including: 60 minute mechanical timer, constant steam setting, ready light and CLEAN cycle button to initiate delimiting. Simple generator delimiting through delimiting port on front. Doors are field reversible, with easy open latch and hidden magnetic door switch. The atmospheric steam generators require no pressure gauge or switches, have automatic blow down and 62,000 BTU/hr power input per cavity. Unit shall come up to steam in 8-10 minutes from a cold start, and provide warm cavity-instant steam capability. Provide options and accessories as indicated.

WATER SUPPLY:

Water quality is a major factor affecting the performance of your steamer. If you are unsure of water quality, consult a local water treatment specialist and have the water analyzed. Your water supply must be within these general guidelines:

Total dissolved solids:	Less than 30 PPM	Total alkalinity:	Less than 20 PPM
Silica:	Less than 13 PPM	Chlorine:	Less than 1.5 PPM
pH Factor:	7.0 - 9.0		

Water which fails to meet these standards should be treated by installation of a water conditioner. Failure or malfunction of this steamer due to poor water quality is not covered under warranty.

WATER & DRAIN CONNECTIONS:

- Drain 1-1/2" NPT free venting drain
- Cold Water Two 3/4" NPT cold water supply line. Second cold water connections are provided for spray condenser

Appliance is to be installed with backflow protection in accordance with Federal, State or Local codes.

MAXIMUM INPUT:

(2)5G-SN 124,000 BTU/hr

GAS SUPPLY:

- 1/2" NPT pipe or approved equivalent.
- Minimum Inlet Pressure per cavity:**
- Natural 3.2" W.C. static to unit
- Propane 10.5" W.C. static to unit

POWER SUPPLY (per cavity):

115 volt, single phase, 60 cycle 15 AMP electric service, 4 AMP maximum load

SHIPPING INFORMATION:

- Approx. Weight:**
- (2)5G-SN 600 lbs. (272 kg)
- NOTE:** The company reserves the right to make substitutions of components without prior notice.

BLODGETT

44 Lakeside Avenue, Burlington, VT 05401 • Phone: (802) 658-6600 • Fax: (802) 864-0183