



Synergy Steam

40ES-KLT Short Height Electric Floor Model Tilting Kettle



OPTIONS AND ACCESSORIES (AT ADDITIONAL CHARGE)

- Etched markings
Gallons
Litres
Strainers
1/8" perforated disc strainer
1/4" perforated disk strainer
Solid disc strainer
Lip strainers
Faucets
Single pantry faucet
Double pantry faucet
Covers
Lift off cover
Hinged cover kit
480 VAC, 3 phase, 60 Hz
2" tangent drawoff
Basket inserts
Pan carrier
Kettle brush kit
Contour measuring strip

Project _____
Item No. _____
Quantity _____

Model 40ES-KLT - 40 gallon (151 litres) short height electric tilting floor kettle

CONSTRUCTION

- 316 stainless steel, one-piece welded construction
Fully jacketed kettle
All exposed surfaces shall be stainless steel
Kettle body is sheathed in stainless steel and air gap insulated.
ASME shop inspected, stamped and registered with the National Board for operation up to a maximum working pressure of 50 PSI.
Outer sheathing and air insulating gap retains heat and keeps kettle exterior cooler to the touch.
Heavy-duty stainless steel combination kettle support tilt trunnion on an enclosed base.
Stainless steel tubular legs with adjustable bullet feet
Heavy reinforced bar rim with a welded-in butterfly shaped pouring lip for pouring control and durability

OPERATION

- Kettle shall have an electric, self-contained steam source to provide kettle temperatures from 150°F to approximately 295°F
Thermostatically controlled to shut off automatically when desired temperature is reached or on when temperature falls below desired setting
Factory charged with chemically-pure water and rust inhibitors to ensure long life and minimum maintenance
Smooth operating, self-locking tilt mechanism
All controls shall be contained in a stainless steel enclosure within easy reach of the operator
Thermostat
Built in contactor
Safety tilt cutoff
Pilot light
Pressure gauge
Water level sight glass
Safety valve
Low water cut-off
Heat indicator light

STANDARD FEATURES

- Faucet bracket
Removable 1/4" perforated stainless steel strainer
Standard voltage options
208 VAC, 3 phase, 60 Hz
240 VAC, 3 phase, 60 Hz
One year parts and labor warranty*

* For all international markets, contact your local distributor.



40ES-KLT SHORT HEIGHT FLOOR MODEL TILTING KETTLE

BLODGETT

www.blodgett.com

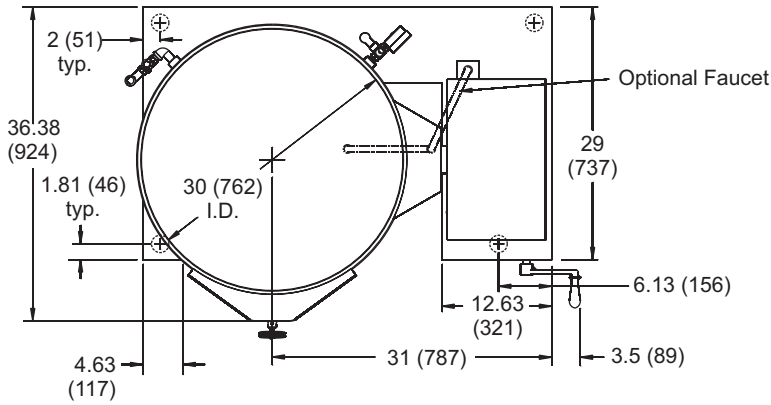
44 Lakeside Avenue, Burlington, VT 05401 • Phone: (802) 658-6600 • Fax: (802) 864-0183



40ES-KLT FLOOR MODEL TILTING KETTLE



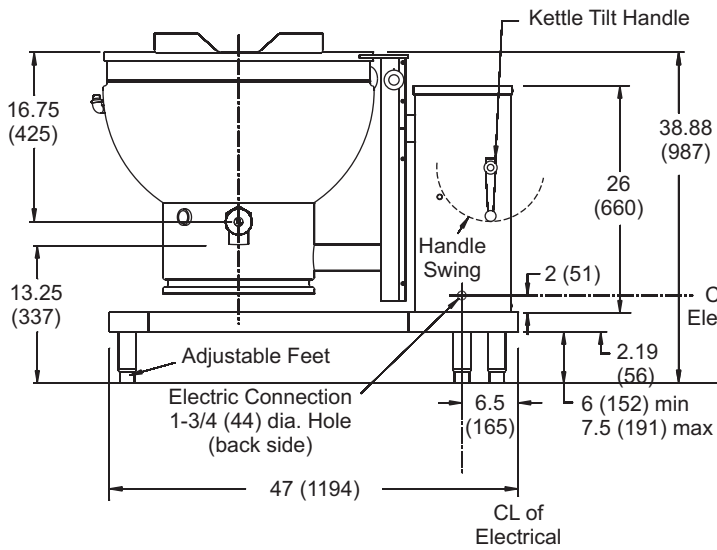
APPROVAL/STAMP



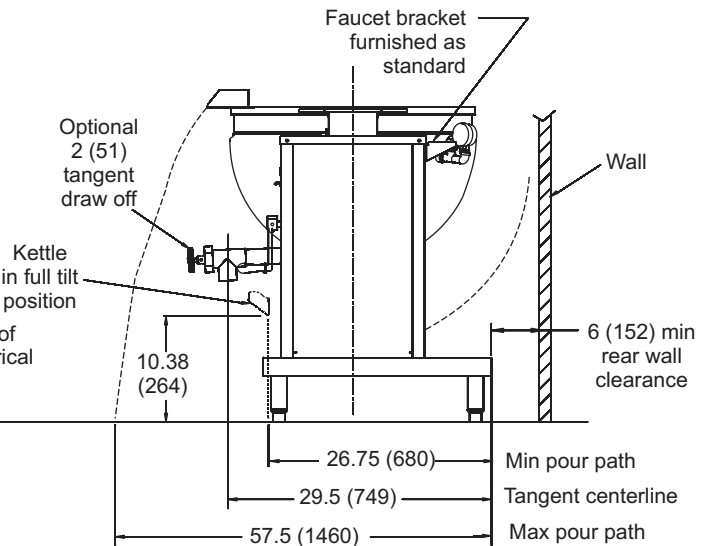
TOP VIEW

NOTES:

1. Customer to supply water resistant conduit fitting for electrical supply.
2. Dimensions are in inches (mm).



FRONT VIEW



RIGHT SIDE VIEW

SHORT FORM SPECIFICATIONS

Provide Blodgett model 40ES-KLT (40 gallon) electric heated, stainless steel, steam jacketed kettle. self-contained, tilting, electric heated, stainless steel steam jacketed kettle. All stainless steel construction with reinforced bar rim, butterfly shaped pouring lip and smooth action mechanical tilt. Kettle body shall be mounted in heavy duty stainless steel combination kettle support tilt trunnion, which is supported by stainless steel enclosed base. Provide options and accessories as indicated.

Model	Phase	208V		240V		480V	
		kW	Amps	kW	Amps	kW	Amps
40ES-KLT	1	21	101	24	105	24	50
	3		59		61		29

SHIPPING INFORMATION:

Approx. Weight:
40ES-KLT 590 lbs. (268 kg)

NOTE: The company reserves the right to make substitutions of components without prior notice.

BLODGETT

www.blodgett.com

44 Lakeside Avenue, Burlington, VT 05401 • Phone: (802) 658-6600 • Fax: (802) 864-0183