



Synergy Steam

6E-6K-SB(36)
Convection Steamer with Kettle
on an Electric Boiler Base



OPTIONS AND ACCESSORIES
(AT ADDITIONAL CHARGE)
[] Flange mounting feet
[] Independent cold water to condensate spray
[] Cover and-or basket insert for kettle

CAPACITY

Table with 3 columns: Pan Size, Per Cavity, Total. Rows include 12" x 20" x 1", 12" x 20" x 2.5", and 12" x 20" x 4".



Project _____
Item No. _____
Quantity _____

- [] Model 6E-6K-SB(36) (two 3 pan convection steamer compartments with one 6 gallon kettle on a 36" wide electric boiler)

CONSTRUCTION

- Stainless steel construction
Stainless steel steamer doors with strong continuous hinge and are field reversible for left or right swing. Insulated doors have a one piece, replaceable seal. Hidden magnetic door switch cuts power to blower and steam flow to that cavity, when the door is opened
Steamer pan support racks are polished stainless steel and removable for easy cleaning
Wide drip sink with condensate drain is positioned under cavity doors
Kettle has reinforced rim and butterfly shaped pouring lip.
Kettle support legs are heavy tubular stainless steel.
Kettle shall be coded and registered for operation up to 55 PSI.
Electrically heated, 36" wide cabinet base shall have stainless steel frame with all stainless steel top deck, hinged front access panel and removable side and rear panels
Cabinet-mounted boiler is ASME Code-constructed and National Board registered for operation up to 15 PSI.
Front and rear legs shall have adjustable bullet feet

OPERATION

- Steamer cavity controls are mounted on the front panel for easy access with separate ON-OFF/60 minute timer control with constant steam setting, for each steamer cavity.
Kettle steam control valve and HOT/COLD water faucet handles are front mounted with boiler controls.
Unit will shut off if water level is low or unit builds too much pressure
When power switch is turned "off", the boiler automatically drains to reduce sediment build-up, after the water has cooled to 170°F.
Each steamer cavity shall have a powerful side mounted blower, which increases steam velocity and provides efficient steam distribution throughout cavity and between loaded pans.
Electric pressure boiler provides atmospheric steam to each chamber at a temperature of approximately 212°F and steam to kettle at approximately 12 PSI. The 24KW model delivers 2.2 boiler horsepower, the 36 KW model delivers 3.5 boiler horsepower and the 48 KW model delivers 4.7 boiler horsepower.

STANDARD FEATURES

- 1/2" NPT power take-off valve for powering adjacent equipment
Flush mounted pouring sink with splash shield
Unit shall be provided with hot and cold water faucet with swing spout
One year parts and labor warranty*

* For all international markets, contact your local distributor.

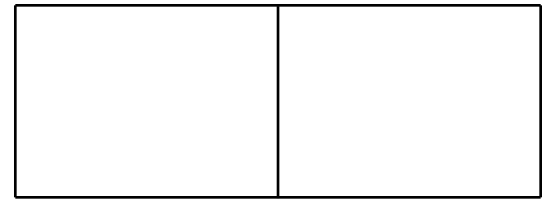
6E-5K-SB STEAMER WITH KETTLE ON AN ELECTRIC BOILER BASE

BLODGETT

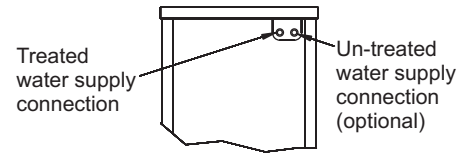
44 Lakeside Avenue, Burlington, VT 05401
Toll Free: (800) 331-5842 • Phone: (802) 860-3700 • Fax: (802) 864-0183



6E-6K-SB(36)



APPROVAL/STAMP



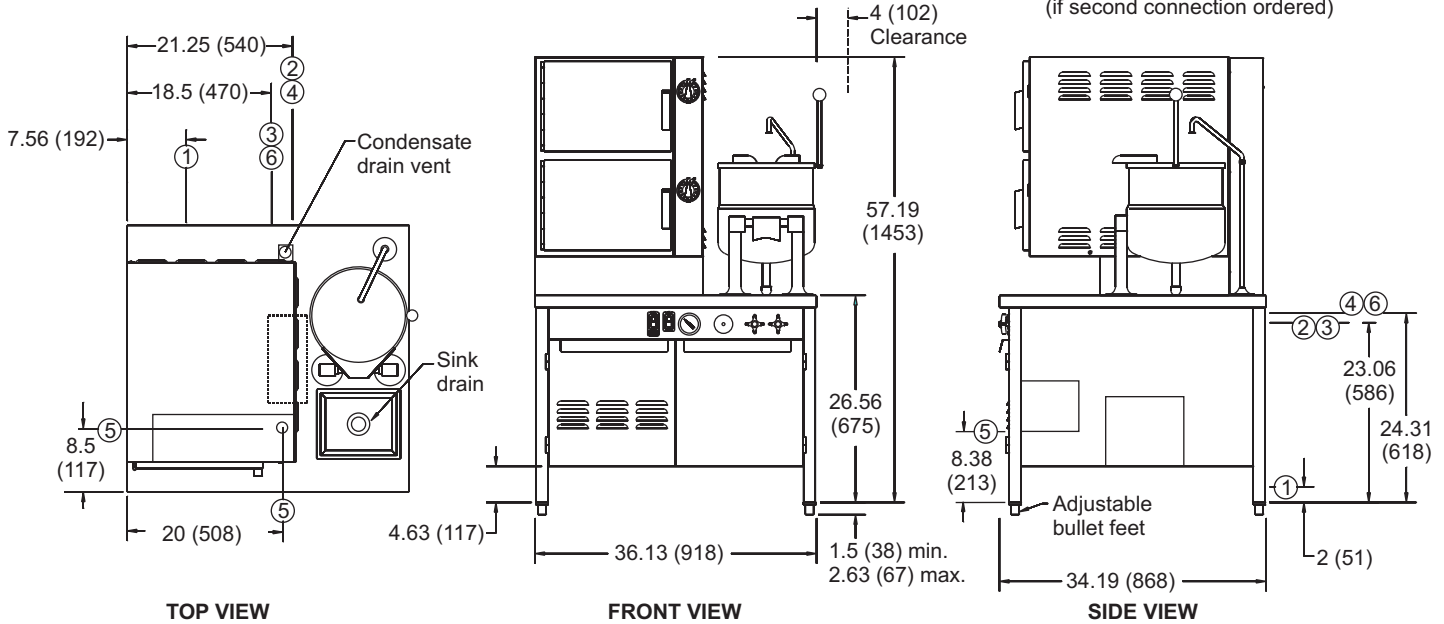
DETAIL VIEW

of water connection

(if second connection ordered)

NOTES:

1. Drain connection 1.25" (31) NPT (includes automatic & manual boiler, steamers, condensate spray, kettle & sink)
2. Cold water supply 0.5" (31) NPT (for boiler, condensate spray & faucet)
3. Option: separate condensate spray 3/8" (9) NPT
4. Hot water supply 3/8" (9) NPT for faucet
5. Main electrical connection (all units) 1-21/32" dia hole (ref. 1-1/2" conduit knock out)
6. Steam power take-off 1/2" (13) NPT
7. Dimensions are in inches (mm)



SHORT FORM SPECIFICATIONS

Provide Blodgett model 6E-6K-SB (6 pan steamer and 6 gallon direct steam kettle) on a 36" wide, electric boiler base base. All stainless steel construction with two independent steamer chambers, each with powerful blower to circulate steam within cavity and individual 60 minute timer with constant steam setting. Steamer doors are insulated, field reversible, with easy open latch and hidden magnetic door switch. Drip sink with condensate drain is provided under cavity doors. Three (21/2" deep) pan capacity per chamber. Cabinet base has stainless steel frame, all stainless steel exterior, with removable front access doors and adjustable bullet feet. Pouring sink and HOT/COLD water faucet provided for kettle. Boiler ASME code constructed for 15 PSI maximum, with choice of 24, 36, or 48KW power input. Power take-off to divert steam to adjacent equipment is standard. UL listed, unit comes standard with automatic boiler drain. Provide options and accessories as indicated.

WATER SUPPLY:

Water quality is a major factor affecting the performance of your steamer. If you are unsure of water quality, consult a local water treatment specialist and have the water analyzed. Your water supply must be within these general guidelines:

Total dissolved solids: Less than 30 PPM Total alkalinity: Less than 20 PPM
 Silica: Less than 13 PPM Chlorine: Less than 1.5 PPM
 pH Factor: 7.0 - 9.0

Water which fails to meet these standards should be treated by installation of a water conditioner. Failure or malfunction of this steamer due to poor water quality is not covered under warranty.

WATER & DRAIN CONNECTIONS:

Drain 1 1/4" NPT free venting drain
 Cold Water 1/2" NPT cold water supply line
 Hot Water 3/8" NPT hot water supply line for faucet
 Appliance is to be installed with backflow protection in accordance with Federal, State or Local codes.

MAXIMUM INPUT:

6E-6K-SB(36) 24, 36 or 48 kW (specify)

POWER SUPPLY:

	208V/3 PHASE	240V/3 PHASE	480V/3 PHASE
24 kW	67 amps	58 amps	29 amps
36 kW	100 amps	87 amps	44 amps
48 kW	134 amps	116 amps	58 amps

SHIPPING INFORMATION:

Approx. Weight:
 6E-6K-SB(36) 675 lbs. (307 kg)

NOTE: The company reserves the right to make substitutions of components without prior notice.

BLODGETT

www.blodgett.com • 44 Lakeside Avenue, Burlington, VT 05401 • Phone: (802) 658-6600 • Fax: (802) 864-0183