



# Synergy Steam

## E-SB

### Convection Steamer on Electric Boiler Base



6E-SB shown

#### OPTIONS AND ACCESSORIES (AT ADDITIONAL CHARGE)

- Flange mounting feet
- Second water connection for condensate spray



Project \_\_\_\_\_

Item No. \_\_\_\_\_

Quantity \_\_\_\_\_

- Model 6E-SB (6 pan convection steamer on a 24" electric boiler base)
- Model 10E-SB (10 pan convection steamer on a 24" electric boiler base)

#### CONSTRUCTION

- Stainless steel construction
- Stainless steel doors with strong continuous hinge and are field reversible for left or right swing
- Insulated doors have a one piece, replaceable seal
- Easy open handle and latch provide positive lock and seal when the door is pushed or slammed shut
- Hidden magnetic door switch cuts power to blower and steam flow to that cavity, when the door is opened
- Pan support racks shall be polished stainless steel and removable for easy cleaning
- Wide drip sink with condensate drain is positioned under cavity doors
- Electrically heated, 24" wide cabinet base shall have stainless steel frame with all stainless steel top deck, hinged front access panel and removable side and rear panels
- Front and rear legs shall have adjustable bullet feet

#### OPERATION

- Steamer cavity controls are mounted on the front panel for easy access
- Separate ON-OFF/60 minute timer control with constant steam setting, for each steamer cavity.
- Electric boiler has a power-ON switch, RESET light, start switch, low water sensor, pop safety valve, water level sight glass and outside cabinet mounted pressure gauge.
- Unit will shut off if water level is low or unit builds too much pressure
- When power switch is turned "off", the boiler automatically drains to reduce sediment build-up, after the water has cooled to 140°F.
- Cabinet mounted boiler shall be CSD-1 compliant, A.S.M.E. Code constructed and National Board registered for operation up to 15 PSI.
- Each steamer cavity shall have a powerful side mounted blower, which increases steam velocity and provides efficient steam distribution throughout cavity and between loaded pans.
- Electric heated cabinet mounted pressure boiler to provide atmospheric steam to each chamber at a temperature of approximately 212°F.

#### CAPACITY

Pan Size	6E-SB	10E-SB
12" x 20" x 1"	12	20
12" x 20" x 2.5"	6	10
12" x 20" x 4"	4	6

#### STANDARD FEATURES

- 1/2" NPT power take-off valve for powering adjacent equipment (10 gallon model only)
- One year parts and labor warranty\*

\* For all international markets, contact your local distributor.

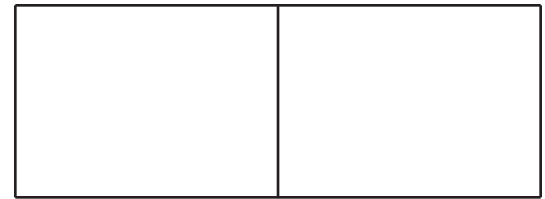
**E-SB CONVECTION STEAMER**

**BLODGETT**

44 Lakeside Avenue, Burlington, VT 05401 • Phone: (802) 658-6600 • Fax: (802) 864-0183



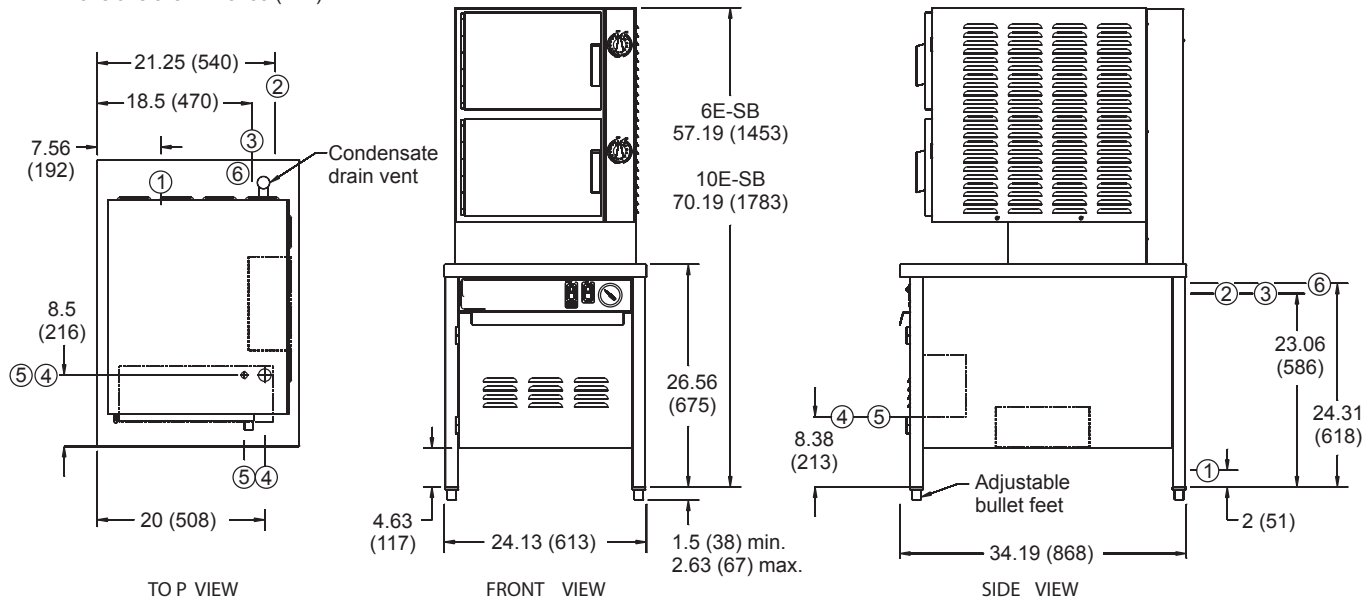
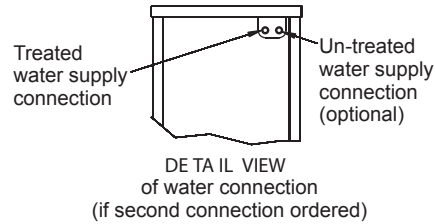
# E-SB CONVECTION STEAMER



APPROVAL/STAMP

**NOTES:**

1. Drain connection: 1-1/4" NPT (includes automatic and manual boiler, steamers & condensate spray)
2. Cold water supply: 1/2" NPT (for boiler & condensate spray)
3. Optional separate condensate spray 3/8" NPT (add kit #MS102210)
4. Main electrical connection (all units): 1-31/32" dia hole (ref 1-1/2" conduit knock out)
5. Aux. electrical connection (208V/240V 48kW only) 1-3/32" dia hole (ref 3/4" conduit knock out)
6. Steam power take-off 1/2" NPT. (Not available for 24 kW units)
7. Dimensions are in inches (mm).



**SHORT FORM SPECIFICATIONS**

Provide Blodgett model 6E-SB (6 pan) or 10E-SB (10 pan) pressureless steamer with electric heated pressure boiler mounted in 24" wide cabinet base. All stainless steel construction, with two independent steamer chambers each with powerful blower to circulate steam within cavity and individual 60 minute timer with constant steam setting. Doors are insulated, field reversible with easy open latch and hidden magnetic door switch. Drip sink with condensate drain is provided under cavity doors. Three (2 1/2" deep) pan capacity per chamber. Cabinet base has stainless steel frame, all stainless steel exterior with hinged front access panel and adjustable bullet feet. Boiler is CDS-1 compliant, ASME code constructed for 15 PSI maximum, with choice of 24, 36 or 48KW power input. Power takeoff to divert steam to adjacent equipment is standard on 10 gallon models only. UL listed, unit comes standard with automatic boiler drain. Provide options and accessories as indicated.

**WATER SUPPLY:**

Water quality is a major factor affecting the performance of your steamer. If you are unsure of water quality, consult a local water treatment specialist and have the water analyzed. Your water supply must be within these general guidelines:

Total dissolved solids: Less than 30 PPM    Total alkalinity: Less than 20 PPM  
 Silica: Less than 13 PPM    Chlorine: Less than 1.5 PPM  
 pH Factor: 7.0 - 9.0

Water which fails to meet these standards should be treated by installation of a water conditioner. Failure or malfunction of this steamer due to poor water quality is not covered under warranty.

**WATER & DRAIN CONNECTIONS:**

Drain 1-1/4" NPT free venting drain  
 Cold Water 1/2" NPT cold water supply line

Appliance is to be installed with backflow protection in accordance with Federal, State or Local codes.

**POWER SUPPLY**

Specify 208, 240 or 480 Volt, 3 phase, 60 Hz

	MAXIMUM HEATER ELEMENT CURRENT		
	208V	240V	480V
24 kW	67 amp	58 amp	29 amp
36 kW	100 amp	87 amp	44 amp
48 kW	134 amp	116 amp	58 amp

**SHIPPING INFORMATION:**

Approx. Weight:

6E-SB 550 lbs. (250 kg)  
 10E-SB 630 lbs. (286 kg)

**NOTE:** The company reserves the right to make substitutions of components without prior notice.

**BLODGETT**

44 Lakeside Avenue, Burlington, VT 05401 • Phone: (802) 658-6600 • Fax: (802) 864-0183