



Synergy Steam

6E-SC Electric Convection Steamer on Cabinet Base



OPTIONS AND ACCESSORIES
(AT ADDITIONAL CHARGE)

- Flange mounting feet



Project _____

Item No. _____

Quantity _____

Model 6E-SC (6 pan electric convection steamer on a cabinet base)

CONSTRUCTION

- Stainless steel construction
- Stainless steel doors with strong continuous hinge and are field reversible for left or right swing
- Insulated doors have a one piece, replaceable seal
- Easy open handle and latch provide positive lock and seal when the door is pushed or slammed shut
- Hidden magnetic door switch cuts power to blower and steam flow to that cavity, when the door is opened
- Pan support racks shall be polished stainless steel and removable for easy cleaning
- Wide drip sink with condensate drain is positioned under cavity doors
- 21-5/8" wide cabinet base shall have stainless steel frame with all stainless steel top deck, hinged front access panel and removable side and rear panels.
- Front and rear legs shall have adjustable bullet feet
- 9KW electric heating elements are replaceable from the front.

OPERATION

- Steamer cavity controls are mounted on the front panel for easy access
- Steamer cavity controls include an ON-OFF power touch pad; 60-minute electro-mechanical timer, with continuous steam setting; and READY light which indicates when cavity is ready for steaming.
- Auto-Delime button initiates deliming cycle. DELIME indicator light warns operator of need to delime generator.
- Separate ON-OFF/60 minute timer control with constant steam setting, for each steamer cavity.
- Unit will shut off if water level is low or unit builds too much pressure
- When power switch is turned off, unit automatically blows down the steam generator, to reduce sediment build-up.
- Twin electric-heated, cabinet-mounted steam generators to provide atmospheric steam to the chambers at a temperature of approximately 212° F. Each steam generator has an electric water sensor.
- Each steamer cavity shall have a powerful side mounted blower, which increases steam velocity and provides efficient steam distribution throughout cavity and between loaded pans.
- Steam generators deliver 3KW input per 2-1/2" steam pan.
- 8-10 minutes heat-up time to READY under normal conditions. Cavities are kept warm and ready for instant steam between loads. No cavity warm up required, after READY light comes on.

CAPACITY

Pan Size	Per Cavity	Total
12" x 20" x 1"	6	12
12" x 20" x 2.5"	3	6
12" x 20" x 4"	2	4

STANDARD FEATURES

- One year parts and labor warranty*

* For all international markets, contact your local distributor.

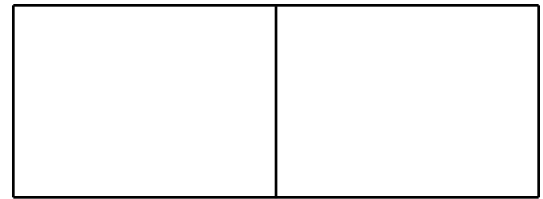
6E-SC CONVECTION STEAMER

BLODGETT

44 Lakeside Avenue, Burlington, VT 054012 • Phone: (802) 658-6600 • Fax: (802) 864-0183

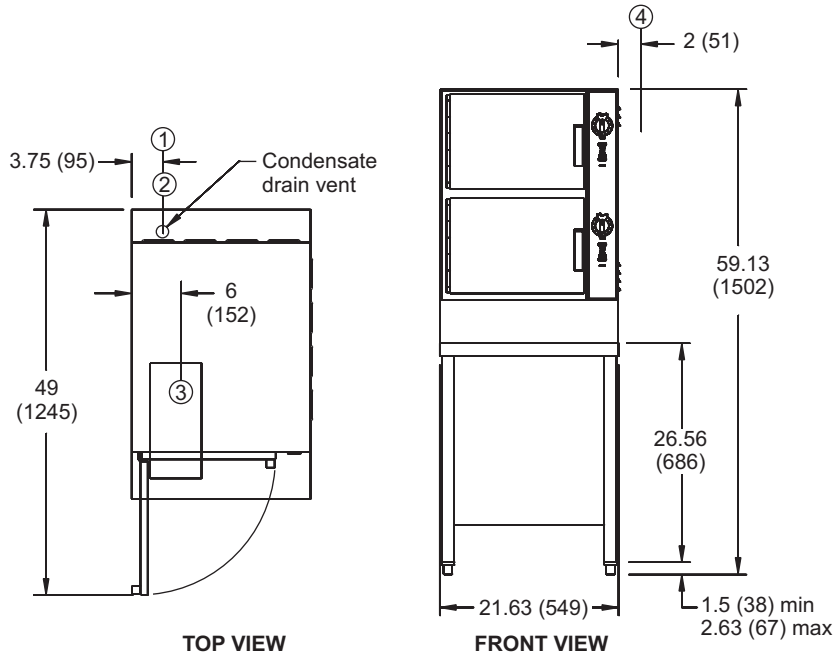


6E-SC CONVECTION STEAMER

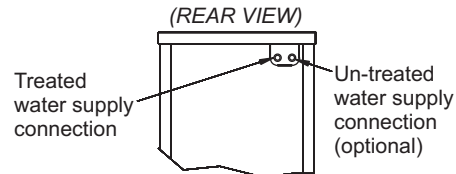


NOTES:

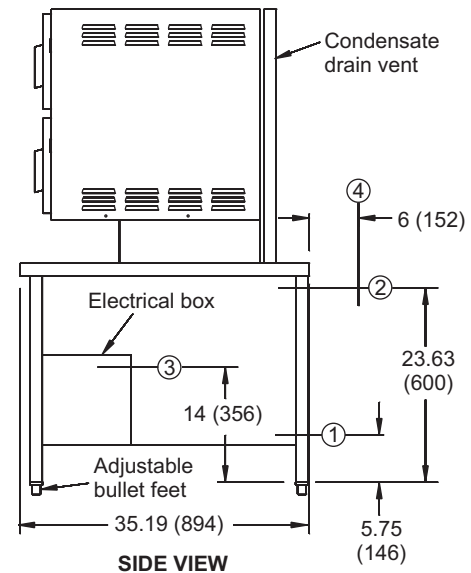
1. Drain connection 1-1/2" tube (drain free venting)
2. Cold water supply at 30 to 60 PSIG with a flow rate of 1/5-3/0 GPM and with a 3/4" NH connection.
3. Electrical connection 1" conduit. See table for requirements.
4. Minimum clearance required
5. Dimensions are in inches (mm).



APPROVAL/STAMP



DETAIL VIEW
 of water connection
 (if second connection ordered)



SHORT FORM SPECIFICATIONS

Provide Blodgett model 6E-SC (6 pan) pressureless steamer with twin, independent electric heated steam generators mounted in 21-5/8" wide cabinet base. All stainless steel construction with two steam cavities, each powered by its own independent atmospheric steam generator with powerful blower to circulate steam within cavity and separate operating controls, including: 60-minute electro-mechanical timer with constant steam setting, ready light and Delime cycle button to initiate deliming. Simple deliming through ports on top. Doors are field-reversible, with easy-open latch and hidden magnetic door switch, and wide condensate sink with drain is provided under cavity doors. Twin atmospheric steam generators require no pressure gauges or switches, and have 9KW input each. Unit shall come up to steam in 8-10 minutes or less from a cold start, and provide warm cavity instant steam capability. Provide options and accessories as indicated.

WATER SUPPLY:

Water quality is a major factor affecting the performance of your steamer. If you are unsure of water quality, consult a local water treatment specialist and have the water analyzed. Your water supply must be within these general guidelines:

Total dissolved solids: Less than 30 PPM Total alkalinity: Less than 20 PPM
 Silica: Less than 13 PPM Chlorine: Less than 1.5 PPM
 pH Factor: 7.0 - 9.0

Water which fails to meet these standards should be treated by installation of a water conditioner. Failure or malfunction of this steamer due to poor water quality is not covered under warranty.

WATER & DRAIN CONNECTIONS:

Drain 1 1/2" NPT free venting drain
 Cold Water Two 3/4" NPT cold water supply lines. Additional cold water connections are provided or spray condenser.

Appliance is to be installed with backflow protection in accordance with Federal, State or Local codes.

POWER SUPPLY

VAC	Phase	Amps	Max kW
208V	1	87	18
	3	50	18
240V	1	75	18
	3	43	18
480V	3	22	18

SHIPPING INFORMATION:

Approx. Weight:
 6E-SC 430 lbs. (195 kg)

NOTE: The company reserves the right to make substitutions of components without prior notice.

BLODGETT

44 Lakeside Avenue, Burlington, VT 054012 • Phone: (802) 658-6600 • Fax: (802) 864-0183