



Synergy Steam

G-KTT Gas Table Top Tilting Kettle



G-KTT TABLE TOP TILTING KETTLE

Project _____

Item No. _____

Quantity _____

- Model 6G-KTT - 6 gallon (23 litres) gas table top tilting kettle
- Model 10G-KTT - 10 gallon (38 litres) gas table top tilting kettle
- Model 12G-KTT - 12 gallon (45 litres) gas table top tilting kettle

CONSTRUCTION

- 304 stainless steel, one-piece welded construction
- 2/3 jacketed kettle
- All exposed surfaces shall be stainless steel
- Kettle exterior high buff polish stainless.
- ASME shop inspected, stamped and registered with the National Board for operation up to a maximum working pressure of 50 PSI.
- Heavy reinforced bar rim with a welded-in butterfly shaped pouring lip for pouring control and durability

OPERATION

- Gas-heated (natural, butane, propane) self-contained steam source to provide kettle temperatures of 150 to approximately 295°F
- Patented fin tube burner assembly delivers efficient combustion
- Thermostatically controlled to shut off automatically when desired temperature is reached or on when temperature falls below desired setting
- Factory charged with chemically-pure water and rust inhibitors to ensure long life and minimum maintenance
- Easily tilt kettle, even when kettle is filled to capacity
- Pouring height allows filling of 4" high pans on the table top
- Tilt handle is field reversible for right or left hand tilt
- Thermostat
- Pressure gauge
- Gas regulator valve
- On/Off switch
- Front mounted water sight glass
- Electronic spark ignition
- Pressure relief valve
- High limit pressure switch
- Low water cut off
- Power on, heating, and low water indicator lights
- Gas supply shuts off automatically when the unit is tilted past 12°

STANDARD FEATURES

- Faucet bracket
- One year parts and labor warranty*

* For all international markets, contact your local distributor.

OPTIONS AND ACCESSORIES
(AT ADDITIONAL CHARGE)

- Etched markings
 - Gallons
 - Litres
- Faucets
 - Single pantry faucet
 - Double pantry faucet
 - Pre-rinse spray faucet with bracket
- Basket insert
- Lift off cover
- Holder for lift off cover
- Stand mounting kit
- 316 stainless steel interior
- Kettle brush kit
- Lip strainers



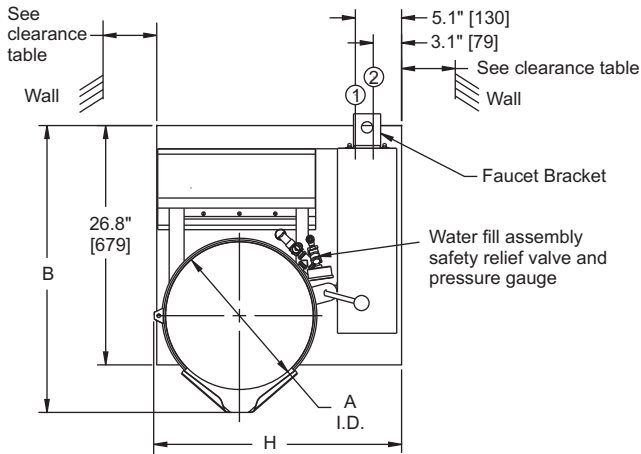
BLODGETT

www.blodgett.com

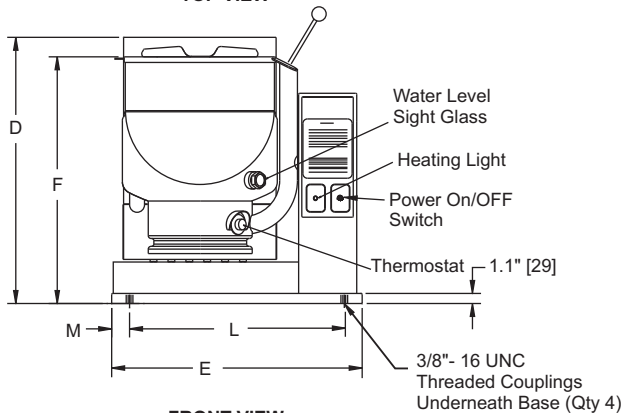
44 Lakeside Avenue, Burlington, VT 05401 • Phone: (802) 658-6600 • Fax: (802) 864-0183



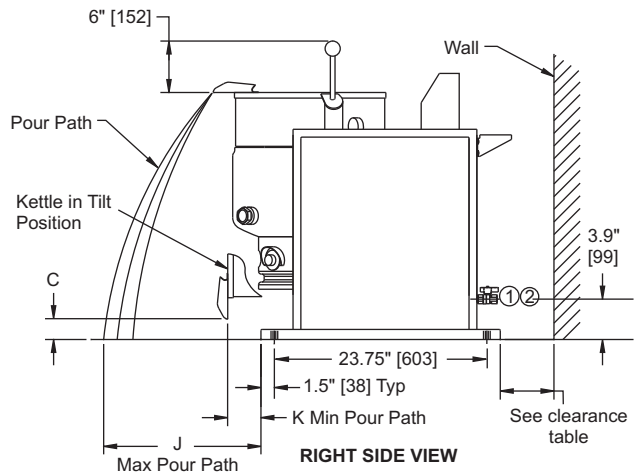
G-KTT TABLE TOP TILTING KETTLE



TOP VIEW



FRONT VIEW



RIGHT SIDE VIEW

SHORT FORM SPECIFICATIONS

Provide Blodgett model 6G-KTT (6 gallon), 10G-KTT (10 gallon) or 12G-KTT (12 gallon) gas fired, stainless steel, steam jacketed kettle. Unit shall have controls in gasketed compartment, with heavy reinforced rim with welded butterfly shaped pouring lip. Field reversible left or right hand tilt handle. NSF listed, ASME code constructed for 50 PSI maximum. Electronic spark ignition standard. 6G-KTT to have 31,000 BTU/hr, 10G-KTT and 12G-KTT to have 52,000 BTU/hr firing rate. Requires 1/2" NPT gas line and 115 volt electric service. CSA (formerly AGA) and CGA Design Certified. Provide options and accessories as indicated.

MAXIMUM INPUT:

6G-KTT	31,000 BTU
10G-KTT	52,000 BTU
12G-KTT	52,000 BTU

GAS SUPPLY:

1/2" NPT connection required. A gas shut-off valve must be installed in supply piping convenient and adjacent to unit.

Inlet Pressure:

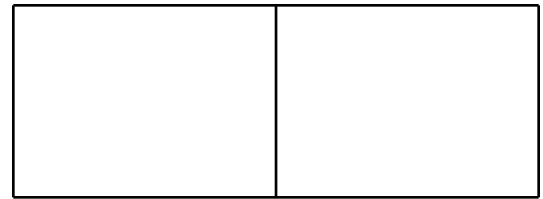
Natural	5" W.C. min, 14" W.C. max
Propane	12" W.C. min, 14" W.C. max

NOTE: The company reserves the right to make substitutions of components without prior notice.

BLODGETT

www.blodgett.com

44 Lakeside Avenue, Burlington, VT 05401 • Phone: (802) 658-6600 • Fax: (802) 864-0183



APPROVAL/STAMP

NOTES:

1. Gas Inlet: 1/2" NPT
2. Electrical Supply: 1/2" Water resistant conduit
3. Dimensions are inches [mm]

INSTALLATION CLEARANCES

	Minimum Distance From Combustible Walls	Recommended Distance
Left Side	1"	1"
Right Side	0"	12" for servicing
Rear	1"	3" for faucet bracket

	6G-KTT	10G-KTT	12G-KTT
A	14 (356)	16.5 (419)	16.5 (419)
B	30.38 (772)	32 (813)	32 (813)
C	5.5 (140)	1.63 (41)	1.63 (41)
D	25.38 (645)	29.5 (749)	29.5 (749)
E	24 (610)	28 (711)	28 (711)
F	24.75 (629)	27.63 (702)	30.13 (765)
H	25.75 (654)	28 (711)	28 (711)
J	18 (457)	20.13 (511)	20.13 (511)
K	6 (152)	3.5 (89)	6 (152)
L	21 (533)	24 (610)	24 (610)
M	1.5 (38)	2 (51)	2 (51)

ELECTRICAL CONNECTION:

Requires one 115 Volt, single-phase, 60 HZ, 5 AMP supply.

SHIPPING INFORMATION:

Approx. Weight:

6G-KTT	220 lbs. (100 kg)
10G-KTT	240 lbs. (109 kg)
12G-KTT	245 lbs. (111 kg)