



Synergy Steam

E-BLP

Electric Floor Model Braising Pan with Power Tilt



OPTIONS AND ACCESSORIES

(AT ADDITIONAL CHARGE)

- Faucets
 - Single pantry faucet
 - Double pantry faucet
- Spray hose assembly for panty faucets
 - 48" (1219 mm)
 - 60" (1524 mm)
- Steam pan insert
- Steam pan carrier
- 2" tangent drawoff (must be ordered with unit)
- Strainer for tangent drawoff valve
- Pouring lip strainer
- Flanged feet
- Casters

Project _____

Item No. _____

Quantity _____

- Model 30E-BLP (30 gallon, narrow width, electric braising pan with power tilt)
- Model 40E-BLP (40 gallon, narrow width, electric braising pan with power tilt)

CONSTRUCTION

- 304 stainless steel
- Pan is heavy duty, 10" deep, one piece welded construction
- 5/8" thick stainless steel cooking surface prevents warping or distortion
- Flat bar electric heating elements ensure efficient heat transfer across the entire cooking surface
- Control and tilt mechanism are mounted in stainless steel housings on the pan body sides
- 100 grit interior finish is coarse enough to retain butter, shortening or oil during the cooking process, minimizing food sticking and burning
- A heavy-gauge, fully adjustable one-piece cover is standard with torsion bar type counterbalance designed to maintain selected cover position.
- True rounded leg tubular stand design and 3" radius pan interiors make cleaning easier.

OPERATION

- Smooth action, quick tilting body with motorized crank tilt mechanism provides precise control during tilting
- Powerful reversing DC motor is activated by a 3 position control switch
- Pan tilts past vertical for easy cleaning
- Controls allow operation at a 7 degree angle to facilitate griddling.
- Thermostatically controlled for automatic shut-off when desired temperature is reached or heating when temperature falls below desired setting
- High limit thermostat for safety
- Console mounted power switch with indicator light
- Control includes a heat indicator light, temperature control switch and motor tilt switch
- A vent in the cover top regulates condensate buildup and a rear condensate drip shield is located under the cover to prevent condensate from dripping on floor when cover is opened.

STANDARD FEATURES

- Mounting bracket for either right, left or rear faucet mounting
- Etched markings (specify)
 - Gallons
 - Litres
- Standard voltage options (all units are field convertible to 1 phase)
 - 208 VAC, 3 phase, 60 Hz
 - 240 VAC, 3 phase, 60 Hz
 - 480 VAC, 3 phase, 60 Hz
- One year parts and labor warranty*

* For all international markets, contact your local distributor.



BLODGETT

44 Lakeside Avenue, Burlington, VT 05401

Toll Free: (800) 331-5842 • Phone: (802) 860-3700 • Fax: (802) 864-0183

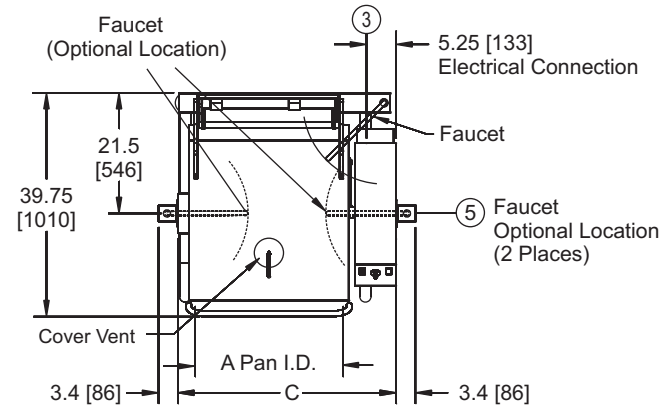
E-BLP BRAISING PAN WITH POWER TILT



E-BLP ELECTRIC BRAISING PAN WITH POWER TILT

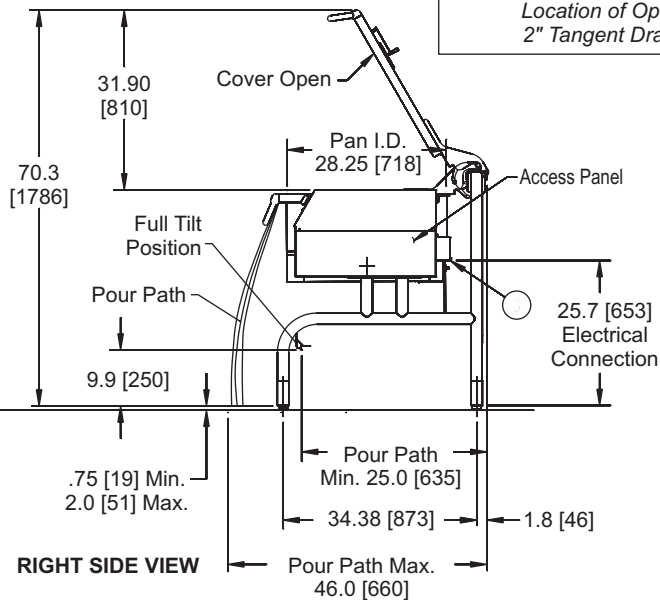
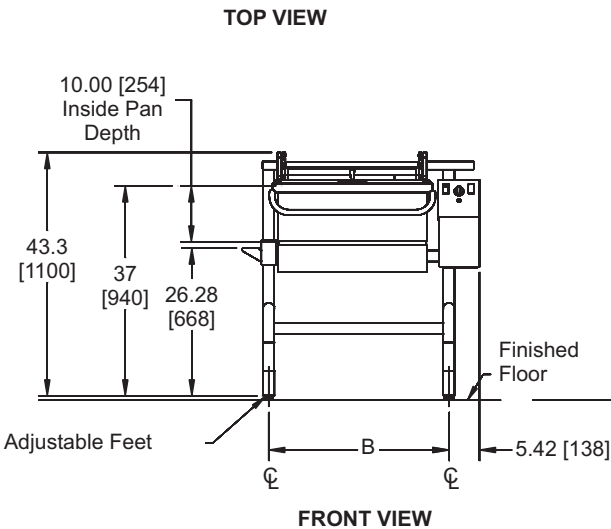
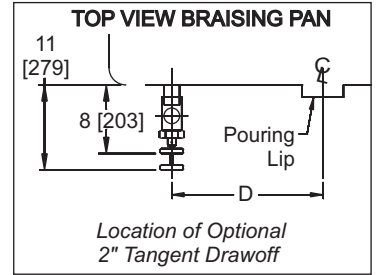


APPROVAL/STAMP



NOTES:

1. Dimensions are in Inches [mm]
2. Casters or flanged feet available at an extra cost.
3. Electrical Connection: 0.175" dia. [44] hole
4. Other voltages and phases are available.
5. Faucet bracket may be installed on left or right side.
6. Faucet may be installed on faucet bracket or on rear as shown.



MODEL	A	B	C	D
30E-BLP	26.25 (667)	32 (813)	38.5 (984)	8.75 (222)
40E-BLP	35.75 (908)	41.5 (1054)	48 (1226)	13.5 (343)

SHORT FORM SPECIFICATIONS

Provide Blodgett model 30E-BLP, 30 gallon (114 litre) or 40E-BLP (152 litre) electrical braising pan. Unit shall be stainless steel, electric-heated, thermostatically controlled, on a rounded tubular leg stand. Heavy 5/8" thick stainless steel clad pan bottom with clamped-on flat bar-type electric heating elements. 30 gallon pan is 39" wide and 40 gallon pan is 48" wide both with a 10" deep pan. Smooth-action, motorized tilt mechanism, heavy-duty fully adjustable counterbalanced cover with condensate drip shield and cover vent. Single electric connection required; specify voltage (208, 240 or 480 Volt). UL- and NSF- listed. Made in USA. One year parts and labor warranty. Provide options and accessories as indicated.

POWER CONNECTION:

Refer to data plate.

SHIPPING INFORMATION:

Approx. Weight:

- 30E-BLP 463 lbs. (210 kg)
- 40E-BLP 535 lbs. (243 kg)

		AMPS PER LINE			
Model	kW	Phase	208V	240V	480V
30E-BLP	11.5 kW	1	55	48	n/a
		3	32	28	14
40E-BLP	15.3 kW	1	74	64	n/a
		3	43	37	19

NOTE: The company reserves the right to make substitutions of components without prior notice.

BLODGETT

44 Lakeside Avenue, Burlington, VT 05401 Toll Free: (800) 331-5842 • Phone: (802) 860-3700 • Fax: (802) 864-0183