



Phoenix Heavy Duty Range with Hot Top on a Modular Base



Shown without 25" legs

OPTIONS AND ACCESSORIES

(AT ADDITIONAL CHARGE)

- Flue riser
 - 12" high stainless steel short back riser
 - 24.5" high stainless steel high back riser
 - 30" high stainless steel high back riser
- Single-shelf (mounts on 24.5" flue riser)
 - Solid shelf
 - Tubed shelf
- Double-shelf (mounts on 36" flue riser)
 - Solid shelves
 - Tubed shelves
- Gas pressure regulator
 - 1"
 - 1-1/4"
- Interconnect gas line with quick disconnect
 - 36" long
 - 48" long
- Common plate shelf
- Stainless steel dolly frame with casters
- Casters in lieu of adjustable legs
- Flanged feet with anchor bolts in lieu of adjustable legs
- Additional oven racks
- Michigan style shelf deflector

Project _____

Item No. _____

Quantity _____

18" Wide Hot Top Sections

- Model BPM-1HT - one 18" wide hot top on a 18" wide modular base
- Model BPM-2HT - two 18" wide hot top on a 36" wide modular base

12" Wide Hot Top Sections

- Model BPM-1HTA - one 12" wide hot top on a 12" wide modular base
- Model BPM-2HTA - two 12" wide hot tops on a 24" wide modular base
- Model BPM-3HT - three 12" wide hot tops on a 36" wide modular base
- Model BPM-4HT - four 12" wide hot tops on a 48" wide modular base
- Model BPM-5HT - five 12" wide hot tops on a 60" wide modular base
- Model BPM-6HT - six 12" wide hot tops on a 72" wide modular base

SPECIFY

- | | | |
|----------------------------|---|---------------------------------------|
| Gas Type | <input type="checkbox"/> Natural Gas | <input type="checkbox"/> Propane |
| Front Manifold Cap & Cover | <input type="checkbox"/> Required | <input type="checkbox"/> Not Required |
| Rear Manifold* | <input type="checkbox"/> Rear (3/4") | <input type="checkbox"/> Rear (1") |
| Flue Riser Height | <input type="checkbox"/> 5" | <input type="checkbox"/> 12" (option) |
| | <input type="checkbox"/> 24.5" (option) | <input type="checkbox"/> 36" (option) |

Operating altitude (if above 2000 ft (700 meters) _____

* 1-1/4" front manifold is provided on all units. 3/4" or 1" rear manifold connection is capped. Remove cap for rear manifold connection

STANDARD FEATURES (All models)

- One 35,000 BTU cast iron burners per section
- Highly polished reinforced cast iron plates
- Variable size multi-point gas connection
- Stainless steel gas tubing throughout
- One stainless steel pilot per burner
- 14 gauge welded body construction
- Stainless steel front, top, sides, bottom and flue riser
- 5" flue riser
- 6" stainless steel plate shelf
- Stainless steel tray bed for spill collection and easy cleaning
- 3/4" gas regulator shipped uninstalled (additional sizes available as options)
- 26" tubular stainless steel legs with adjustable feet (may be ordered without legs)
- Stainless steel crossrails
- Warranty: two year parts and one year labor warranty



PHOENIX HEAVY DUTY RANGE ON MODULAR BASE

BLODGETT

www.blodgett.com

44 Lakeside Avenue, Burlington, VT 05401 • Phone: (802) 658-6600 • Fax: (802) 864-0183



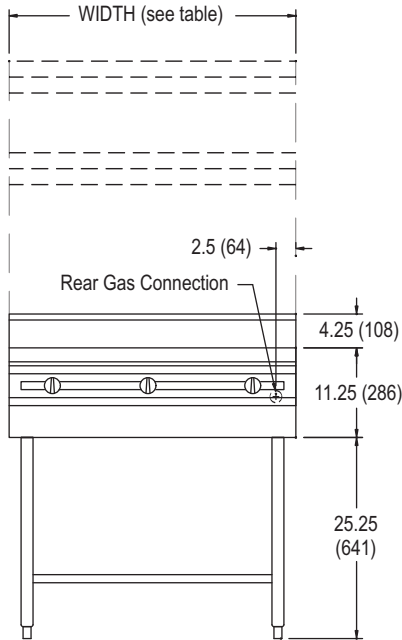
PHOENIX HOT TOP RANGE ON A MODULAR BASE



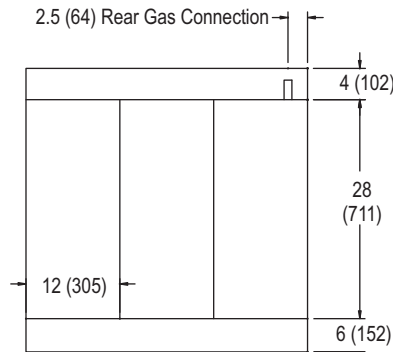
APPROVAL/STAMP

36" WIDE UNITS SHOWN

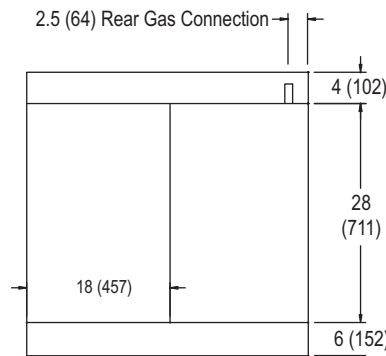
Dimensions are in inches (mm)



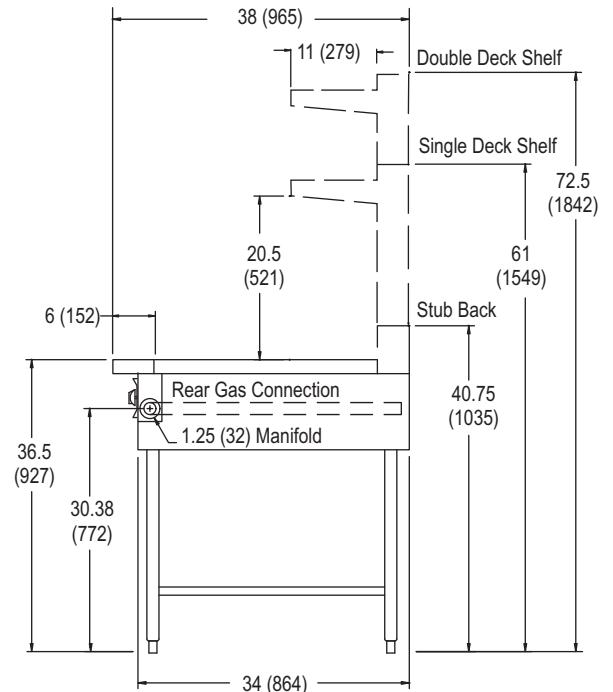
FRONT VIEW



TOP VIEW - 12" WIDE HOT TOP SECTION



TOP VIEW - 18" WIDE HOT TOP SECTION



SIDE VIEW

MODEL	WIDTH	# SECTIONS	DEPTH	HEIGHT	SHIPPING WEIGHT
BPM-1HT	18"	1 (18")	38"	See drawing	210 lbs (95 kg)
BPM-2HT	36"	2 (18")			400 lbs (181 kg)
BPM-1HTA	12"	1 (12")			130 lbs (59 kg)
BPM-2HTA	24"	2 (12")			205 lbs (93 kg)
BPM-3HT	36"	3 (12")			410 lbs (186 kg)
BPM-4HT	48"	4 (12")			540 lbs (245 kg)
BPM-5HT	60"	5 (12")			615 lbs (279 kg)
BPM-6HT	72"	6 (12")			690 lbs (313 kg)

SHORT FORM SPECIFICATIONS

Provide Blodgett heavy duty hot top range. Unit shall have one 35,000 BTU/hr. cast iron burners controlled by infinite gas valves per section. Unit shall have highly polished reinforced cast iron plates. Unit shall have 14 gauge all welded body with stainless steel front and sides. All gas tubing to be stainless steel throughout with variable size, multipoint gas connection. 3/4" gas regulator provided. To be mounted on 26" tubular stainless steel legs with adjustable feet. Two year parts and one year labor warranty. Provide options and accessories as indicated.

UTILITY INFORMATION

MODEL	GAS RATING (BTU/hr)	OPERATING PRESSURE		GAS: Ranges are supplied with 1-1/4" front manifold connection and a 1" or 3/4" capped rear manifold connection. For rear manifold connection, remove cap. Ranges are supplied with 3/4" gas pressure regulator or 1-1/4" or 1" gas pressure regulator, see accessories. (Specify required front manifold cap and cover when ordering.) The unit must be connected with the gas regulator supplied. FLUE EXHAUST: Installation under a vented hood is recommended.
		Natural Gas	Propane	
BPM-1HT & BPM-1HTA	35,000	5" W.C. min.	10 W.C. min. 14" W.C. max.	
BPM-2HT & BPM-2HTA	70,000			
BPM-3HT	105,000			
BPM-4HT	140,000			
BPM-5HT	175,000			
BP-6HT	210,000			

NOTE: The company reserves the right to make substitutions of components without prior notice

BLODGETT

www.blodgett.com 44 Lakeside Avenue, Burlington, VT 05401 • Phone: (802) 658-6600 • Fax: (802) 864-0183