



# Phoenix Modular Spreader



Shown without legs

PHOENIX MODULAR SPREADER

Project \_\_\_\_\_

Item No. \_\_\_\_\_

Quantity \_\_\_\_\_

- Model BPMP-6 - 6" wide modular spreader
- Model BPMP-12 - 12" wide modular spreader
- Model BPMP-18 - 18" wide modular spreader
- Model BPMP-24 - 24" wide modular spreader
- Model BPMP-36 - 36" wide modular spreader

### SPECIFY

- |                             |   |                                       |
|-----------------------------|---|---------------------------------------|
| Gas Type                    | <input type="checkbox"/> Natural Gas    | <input type="checkbox"/> Propane      |
| Front Manifold Cap & Cover* | <input type="checkbox"/> Required       | <input type="checkbox"/> Not Required |
| Flue Riser Height           | <input type="checkbox"/> 5"             | <input type="checkbox"/> 12" (option) |
|                             | <input type="checkbox"/> 24.5" (option) | <input type="checkbox"/> 36" (option) |

Operating altitude (if above 2000 ft (700 meters)) \_\_\_\_\_

\* 1-1/4" front manifold is provided on all units. 1-1/4" rear manifold connection is capped. Remove cap for rear manifold connection

### OPTIONS AND ACCESSORIES

(AT ADDITIONAL CHARGE)

- Flue riser
  - 12" high stainless steel short back riser
  - 24.5" high stainless steel high back riser
  - 30" high stainless steel high back riser
- Single-shelf (mounts on 24.5" flue riser)
  - Solid shelf
  - Tubed shelf
- Double-shelf (mounts on 36" flue riser)
  - Solid shelves
  - Tubed shelves
- Gas pressure regulator
  - 1"
  - 1-1/4"
- Interconnect gas line with quick disconnect
  - 36" long
  - 48" long
- Common plate shelf

### STANDARD FEATURES (All models)

- 14 gauge stainless steel all welded body construction
- Stainless steel top, front, sides and stub back
- Stainless steel front, top, sides, bottom and flue riser
- 14 gauge welded body construction
- 3/4" gas regulator shipped uninstalled (additional sizes available as options)
- 5" flue riser
- 6" stainless steel plate shelf
- 26" tubular stainless steel legs with adjustable feet (may be ordered without legs)
- Stainless steel crossrails
- Warranty: two year parts and one year labor warranty



**BLODGETT**

[www.blodgett.com](http://www.blodgett.com)

44 Lakeside Avenue, Burlington, VT 05401 • Phone: (802) 658-6600 • Fax: (802) 864-0183



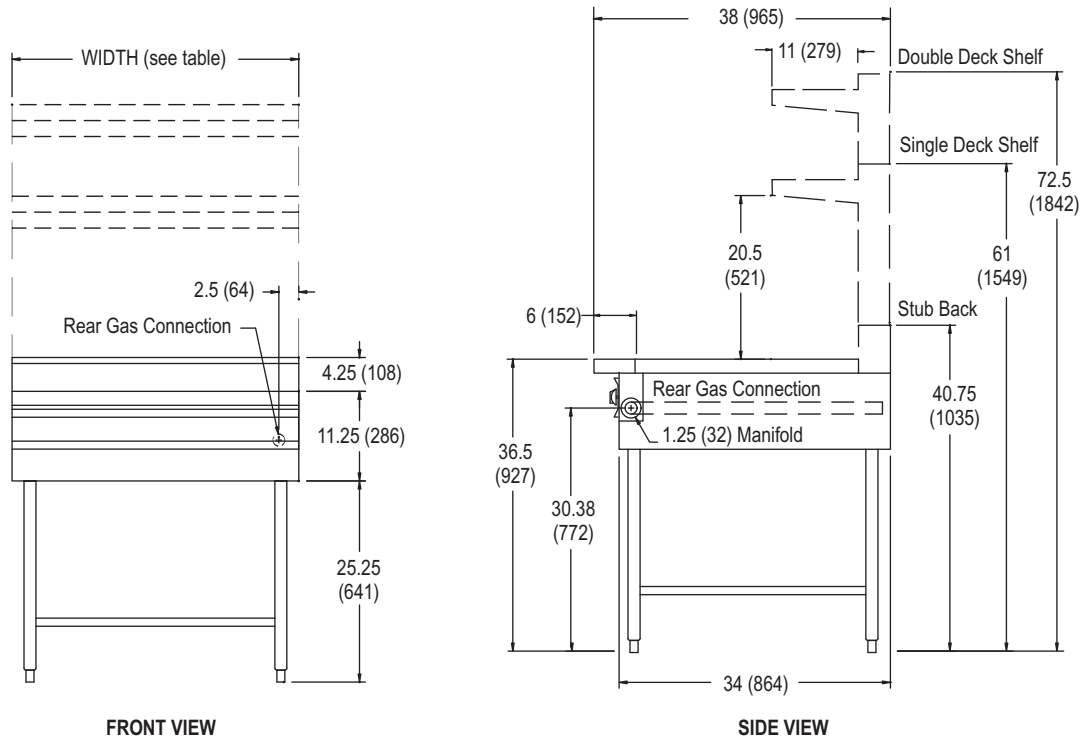
# PHOENIX MODULAR SPREADER



APPROVAL/STAMP

36" WIDE UNITS SHOWN

Dimensions are in inches (mm)



MODEL	WIDTH	DEPTH	HEIGHT	SHIPPING WEIGHT
BPMP-6	6"	38"	See drawing	80 lbs (36 kg)
BPMP-12	12"			100 lbs (45 kg)
BPMP-18	18"			120 lbs (54 kg)
BPMP-24	24"			150 lbs (68 kg)
BPMP-36	36"			190 lbs (86 kg)

SHORT FORM SPECIFICATIONS
Provide Blodgett modular spreader for heavy duty gas equipment in 6", 12", 18", 24" or 36" wide models. Spreader to have 14 gauge all welded steel construction, stainless steel top, front, sides, bottom and stub back. 3/4" gas regulator provided. To be mounted on 26" tubular stainless steel legs with adjustable feet. Two year parts and one year labor warranty. Provide options and accessories as indicated.

UTILITY INFORMATION		
<b>OPERATING PRESSURE</b>		<b>GAS:</b> Modular spreaders are supplied with 1-1/4" front manifold connection and a 1" or 3/4" capped rear manifold connection. For rear manifold connection, remove cap. Spreader cabinets are supplied with 3/4" gas pressure regulator or 1-1/4" or 1" gas pressure regulator, see accessories. (Specify required front manifold cap and cover when ordering.) The unit must be connected with the gas regulator supplied.
Natural Gas	Propane	
5" W.C. min.	10 W.C. min. 14" W.C. max.	

NOTE: The company reserves the right to make substitutions of components without prior notice

**BLODGETT**

www.blodgett.com 44 Lakeside Avenue, Burlington, VT 05401 • Phone: (802) 658-6600 • Fax: (802) 864-0183