



### 200G-CB24 Gas Boiler in a Cabinet Base



200G-CB24 GAS BOILER IN A CABINET BASE

Project \_\_\_\_\_

Item No. \_\_\_\_\_

Quantity \_\_\_\_\_

Model 200G-CB24 (200 BTU gas boiler base in a 24" wide cabinet base)

#### CONSTRUCTION

- Stainless steel construction
- Unibody frame construction
- Removeable lift off panel provides acces to the boiler and other internal components during installation.
- Cabinet exterior, including the removeable panels are #3 NSF finish.
- Control panel face plate is smudge resistant polyester film
- Rear flue with integral guard
- 24" wide and incorporates a stainless steel top deck
- Cabinet-mounted boiler is ASME Code-constructed and National Board registered for operation up to 15 PSI.
- Front and rear legs shall have adjustable bullet feet

#### OPERATION

- Gas control valve
- power-ON switch
- RESET light
- Start switch
- Low water sensor
- Pop safety valve
- Water level sight glass on front panel
- Outside cabinet mounted pressure gauge.
- Unit will shut off if water level is low or unit builds too much pressure. When power switch is turned "OFF," the boiler automatically drains to reduce sediment build-up, after water has cooled to 170°F.
- Electronic ignition

#### STANDARD FEATURES

- One year parts and labor warranty\*

\* For all international markets, contact your local distributor.

**OPTIONS AND ACCESSORIES**  
(AT ADDITIONAL CHARGE)

- Flange mounting feet
- Casters
- Second water connection for condensate spray



#### BLODGETT

44 Lakeside Avenue, Burlington, VT 05401  
Toll Free: (800) 331-5842 • Phone: (802) 860-3700 • Fax: (802) 864-0183



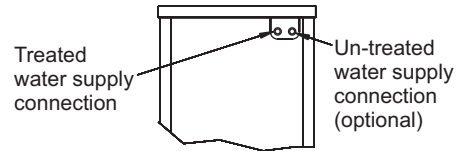
# 200G-CB24 GAS BOILER BASE CABINET



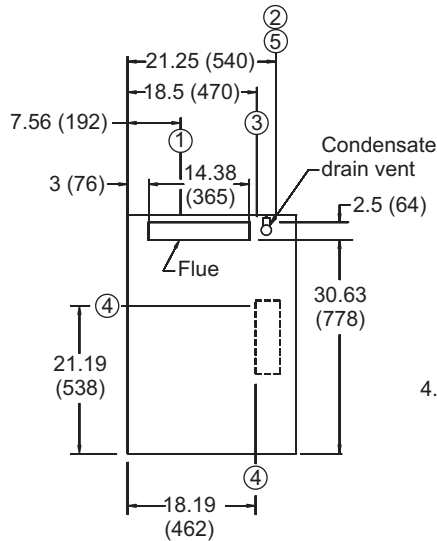
APPROVAL/STAMP

**NOTES:**

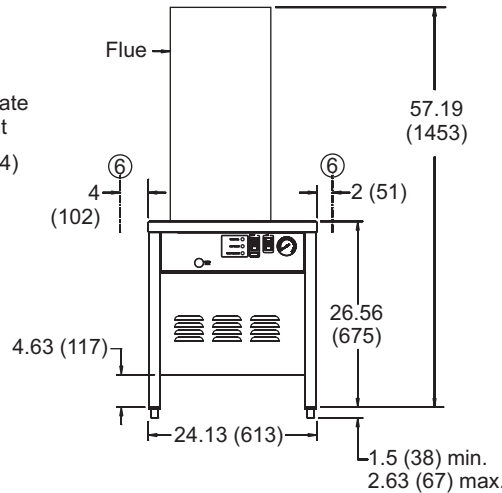
1. Drain connection: 1-1/4" NPT (includes automatic and manual boiler, & condensate spray)
2. Cold water supply: 1/2" NPT (for boiler & condensate spray)
3. Optional separate condensate spray 3/8" NPT (add kit #MS102210)
4. Electrical connection: 7/8" dia hole (ref 1/2" conduit knock-out)
5. Gas connection 1/2" NPT
6. Minimum clearance required
7. Dimensions are in inches (mm).



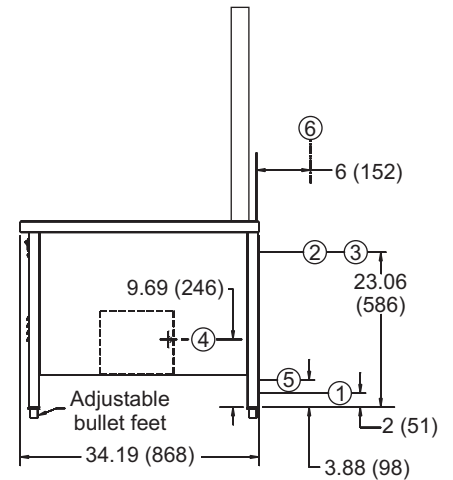
**DETAIL VIEW**  
of water connection  
(if second connection ordered)



**TOP VIEW**



**FRONT VIEW**



**SIDE VIEW**

**SHORT FORM SPECIFICATIONS**

Provide Blodgett model 200G-CB24 (200,000 BTU) pressure boiler mounted in 24" wide cabinet base. All stainless steel construction cabinet base with unitized frame and removable lift-off panels and adjustable bullet feet. Steam boiler ASME code constructed for 15 PSI, maximum, with 200,000 BTU firing rate, 120,000 BTU output and 3.7 boiler horsepower. AGA design certified and standard with automatic boiler drain and electronic ignition. Provide options and accessories as indicated.

**WATER SUPPLY:**

Water quality is a major factor affecting the performance of your steamer. If you are unsure of water quality, consult a local water treatment specialist and have the water analyzed. Your water supply must be within these general guidelines:

Total dissolved solids:	Less than 30 PPM	Total alkalinity:	Less than 20 PPM
Silica:	Less than 13 PPM	Chlorine:	Less than 1.5 PPM
pH Factor:	7.0 - 9.0		

Water which fails to meet these standards should be treated by installation of a water conditioner. Failure or malfunction of this steamer due to poor water quality is not covered under warranty.

**WATER & DRAIN CONNECTIONS:**

- Drain 1 1/4" NPT free venting drain
- Cold Water 1/2" NPT cold water supply line

Appliance is to be installed with backflow protection in accordance with Federal, State or Local codes.

**MAXIMUM INPUT:**

200G-CB24 200,000 BTU/hr

**GAS SUPPLY:**

1/2" NPT pipe or approved equivalent.

**Minimum Inlet Pressure:**

Natural	3.5" W.C. static to unit
Propane	10.0" W.C. static to unit

**POWER SUPPLY:**

115 volt, single phase, 60 cycle 15 AMP electric service, 4 AMP maximum load

**SHIPPING INFORMATION:**

**Approx. Weight:**  
200G-CB24 540 lbs. (246 kg)

**NOTE:** The company reserves the right to make substitutions of components without prior notice.

**BLODGETT**

44 Lakeside Avenue, Burlington, VT 05401 • Toll Free: (800) 331-5842 • Phone: (802) 860-3700 • Fax: (802) 864-0183