



**CB-E**  
Electric Steam Boiler



CB-36E shown

**OPTIONS AND ACCESSORIES**  
(AT ADDITIONAL CHARGE)

■ **Voltage Options**

- 220 VAC, 1 or 3 phase, 60 Hz (24 kW models only)
- 380 VAC, 3 phase, 60 Hz
- 415 VAC, 3 phase, 60 Hz
- 480 VAC, 3 phase, 60 Hz
- 415/240 VAC, 3 phase, 4 wire
- 380/220 VAC, 3 phase, 4 wire
- 600 VAC, 3 phase, 60 Hz

■ **Foot Options**

- Front flanged feet
- Rear flanged feet
- Pressure reducing valve
- Stainless steel rear panel
- Stainless steel frame
- Split water lines
- Steam take off kit
- Water in "Y" strainer
- Ball float trap
- One year extended warranty

Project \_\_\_\_\_

Item No. \_\_\_\_\_

Quantity \_\_\_\_\_

- Model CB24-24E (24" wide 24 kW electric boiler base cabinet)
- Model CB36-24E (36" wide 24 kW electric boiler base cabinet)
- Model CB24-36E (24" wide 36 kW electric boiler base cabinet)
- Model CB36-36E (36" wide 36 kW electric boiler base cabinet)
- Model CB24-42E (24" wide 42 kW electric boiler base cabinet)
- Model CB36-42E (36" wide 42 kW electric boiler base cabinet)
- Model CB24-48E (24" wide 48 kW electric boiler base cabinet)
- Model CB36-48E (36" wide 48 kW electric boiler base cabinet)

**CONSTRUCTION**

- Full perimeter painted angle iron frame
- Reinforced counter and boiler mountings
- Stainless steel exterior
- Hinged door(s) with magnetic latch
- 6" (152 mm) stainless steel legs with adjustable bullet feet on front and adjustable flanged feet on rear
- All piping is confined within cabinet

**OPERATION**

- Automatic water level control
- Automatic boiler blowdown
- Pressure gauge
- Water gauge glass
- Pressure control with pressure safety control
- Safety relief valve
- Cathodic protector
- Steam trap
- On/Off switch with indicator light
- CSD-1 secondary low water cut off

**CAPACITY**

Model	Capacity	
	kW	lbs/hr.
CB24-24E & CB36-24E	24	69
CB24-36E & CB36-36E	36	107
CB24-42E & CB36-42E	42	128
CB24-48E & CB36-48E	48	148

**STANDARD FEATURES**

- 15 PSI (103 kPa) boiler rated at
  - 208VAC, 1 phase, 60 Hz - 24 kW models only
  - 208VAC, 3 phase, 60 Hz - 24 or 36 kW models only
  - 240VAC, 1 phase, 60 Hz - 24 kW models only
  - 240VAC, 3 phase, 60 Hz - 42 and 48 kW models only
- One year parts and labor oven warranty\*

\* For all international markets, contact your local distributor.

**SB-E ELECTRIC STEAM BOILER**

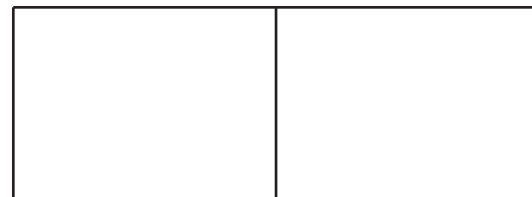


**BLODGETT OVEN COMPANY**

www.blodgett.com • 44 Lakeside Avenue, Burlington, VT 05401 • Phone: (802) 658-6600 • Fax: (802) 864-0183



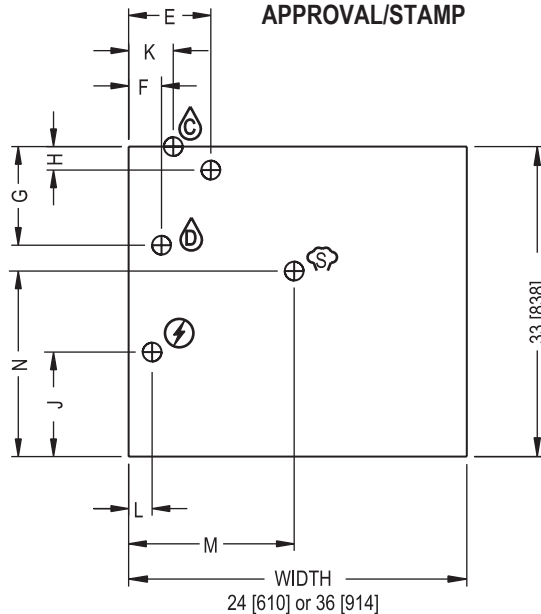
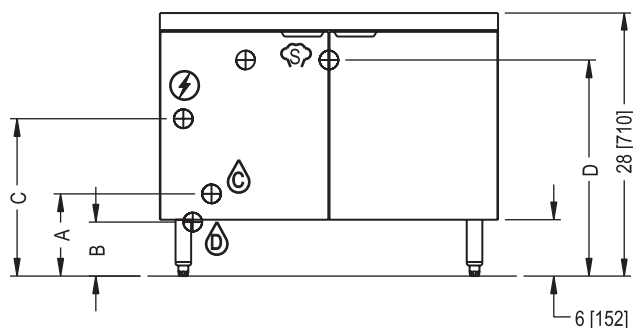
# CB-E ELECTRIC STEAM BOILER



APPROVAL/STAMP

DIMENSIONS ARE IN INCHES [MM]

NOTE: PRESSURE REDUCING VALVE -OPTIONAL



Model	A	B	C	D	E	F	G	H	J	K	L	M	N	P
24"	8.75[222]	5.75[146]	16.75[425]	23[584]	8.75[222]	3.5[89]	10.5[267]	2.5[64]	11.12[283]	2.75[70]	2.5[64]	13[330]	19.75[502]	4.75[121]
36"	8.75[222]	5.75[146]	16.75[425]	23[584]	18[457]	3.5[89]	10.5[267]	2.5[64]	11.12[283]	4.75[121]	2.5[64]	21.25[540]	19.75[502]	6.75[171]

SHORT FORM SPECIFICATIONS: Provide Blodgett model CB24-24E (24kW), CB24-36E (36kW), CB24-42E (42kW) or CB24-48E (48kW) 24" wide electric steam boiler cabinet, or CB36-24E (24kW), CB36-36E (36kW), CB36-42E (42kW) or CB36-48E (48kW) 36" wide electric steam boiler cabinet. Polished stainless steel cabinet base shall be of modular design to match other Blodgett steam equipment. Unit shall have 6" (152mm) stainless steel legs and adjustable bullet feet, reinforced stainless steel counter top and hinged doors with magnetic latches. All piping shall be confined within the cabinet. Unit shall be automatically filled with water and brought to pressure when power switch is turned on. Cold water condenser shall automatically condense exhausted steam in water before releasing it to drain. Boiler controls shall include automatic water level, pressure gauge, water gauge glass, pressure control with pressure safety control, safety relief valve, cathodic protector and CSD-1 secondary low water cut off. Boiler shall be ASME code stamped and National Board registered. Provide options and accessories as indicated.

## WATER SUPPLY:

Water quality is a major factor affecting the performance of your steamer. If you are unsure of water quality, consult a local water treatment specialist and have the water analyzed. Your water supply must be within these general guidelines:

Total dissolved solids: Less than 60 PPM      Total alkalinity: Less than 20 PPM  
 Silica: Less than 13 PPM      Chlorine: Less than 1.5 PPM  
 pH Factor: 7.0 - 8.5

Water which fails to meet these standards should be treated by installation of a water conditioner. Failure or malfunction of this steamer due to poor water quality is not covered under warranty.

Appliance is to be installed with backflow protection in accordance with Federal, State or Local codes.

## WATER & DRAIN CONNECTIONS:

Drain 2" (51mm) IPS piped to open floor drain. No solid connection.

24" length before open air opening (no bends or elbows)

Cold Water 3/8" (10mm) tubing at 25-50 PSI (170-345 kPa)

Steam Take Off 3/4" IPS optional to operate adjacent equipment

**CAUTION: REMOTE KETTLE OPERATION** If this boiler is feeding a remote kettle that will be more than 5 feet (1.5 meters) away, consult factory before ordering.

kW	PH	AMPS PER LINE					
		208V	220V	240V	380V	415V	480V
24	1	115.4	109.1	100.0	n/a	n/a	n/a
	3	66.6	63	57.8	36.5	33.4	28.9
36	3	99.9	94.5	86.6	54.7	50.1	43.3
42	3	116.6	110.2	101	63.8	58.4	50.5
48	3	n/a	n/a	115.5	72.9	66.8	57.7

## POWER SUPPLY:

208, 220 or 240 VAC, 3 phase 60 Hz w/grounding wire

## SHIPPING INFORMATION:

CB24-24E 400 lbs. (181 kg)      CB24-42E 400 lbs. (181 kg)  
 CB36-24E 440 lbs. (200 kg)      CB36-42E 425 lbs. (193 kg)  
 CB24-36E 400 lbs. (181 kg)      CB24-48E 400 lbs. (181 kg)  
 CB36-36E 425 lbs. (193 kg)      CB36-48E 425 lbs. (193 kg)

**NOTE:** The company reserves the right to make substitutions of components without prior notice

## BLODGETT OVEN COMPANY

www.blodgett.com • 44 Lakeside Avenue, Burlington, VT 05401 • Phone: (802) 658-6600 • Fax: (802) 864-0183