



Synergy Steam

KT

Direct Steam Tabletop Tilting Kettles on Kettle Tables



KT-(2)6DS-KTT shown

OPTIONS AND ACCESSORIES

(AT ADDITIONAL CHARGE)

- Basket inserts
- Lift off cover
- Steam trap assemblies
- 316 stainless steel interior for kettles



Project _____

Item No. _____

Quantity _____

- Model KT-6DS-KTT - 6 gallon (23 litres) direct steam kettle on 20" wide kettle table
- Model KT-10DS-KTT - 10 gallon (38 litres) direct steam kettle on 30" wide kettle table)
- Model KT-12DS-KTT - 12 gallon (45 litres) direct steam kettle on 30" wide kettle table
- Model KT-(2)6DS-KTT - Two 6 gallon (23 litres) direct steam kettles on 40" wide kettle table
- Model KT-(3)6DS-KTT - Three 6 gallon (23 litres) direct steam kettles on 63" wide kettle table
- Model KT-6-10-DS-KTT - One 6 gallon (23 litres) and one 10 gallon (38 litres) direct steam kettle on 48" wide kettle table
- Model KT-6-12-DS-KTT - One 6 gallon (23 litres) and one 12 gallon (45 litres) direct steam kettle on 48" wide kettle table

KETTLE CONSTRUCTION

- 304 stainless steel, one-piece welded construction
- 2/3 jacketed kettle
- All exposed surfaces shall be stainless steel
- Sturdy cast, chrome plated stainless steel arms for sturdy support
- No exposed steam piping. The steam supply enters through the left kettle support arm, through an integrated steam control valve into the jacket at the rotary joint, down through the support arm.
- Rim shall be reinforced with a welded butterfly shaped pouring lip, for pouring control and durability
- Right side handle for controlled pouring of kettle content
- Rear leg stops the kettle in the upright position
- ASME shop-inspected, stamped and registered with the National Board for operation up to a maximum working pressure of 55 PSI

TABLE CONSTRUCTION

- Stainless steel with solid one piece welded construction.
- Raised marine edges and a 5" wide by 4" deep drain trough running the width of the table, complete with drain fitting and strainer.
- Heavy 2" round tubular stainless steel support legs with adjustable bullet feet.
- Table top work height ideal for operator convenience and efficiency.
- Sliding dump tray is designed to assist in pouring kettle contents into pans or pots. Splashes or drips are diverted into the drain trough to eliminate spilling or splashing on floors etc. Dump tray lifts out for easy cleanup and rolls along length of drain trough on nylon rollers.
- Front mounted steam control valves provided for kettle. All necessary traps, piping and valves furnished and prepiped for single point utility connection.

STANDARD FEATURES

- Double pantry faucet for each two kettles mounted. Front mounted hot and cold faucet valves and swing spouts simplify kettle filling and cleaning.
- One year parts and labor warranty*

* For all international markets, contact your local distributor.

DIRECT STEAM TABLETOP TILTING KETTLE ON KETTLE TABLES

BLODGETT

www.blodgett.com

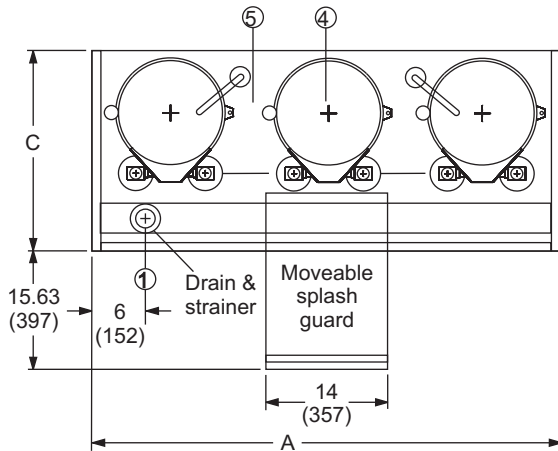
44 Lakeside Avenue, Burlington, VT 05401 • Phone: (802) 658-6600 • Fax: (802) 864-0183



KT DIRECT STEAM KETTLES ON TABLE



APPROVAL/STAMP



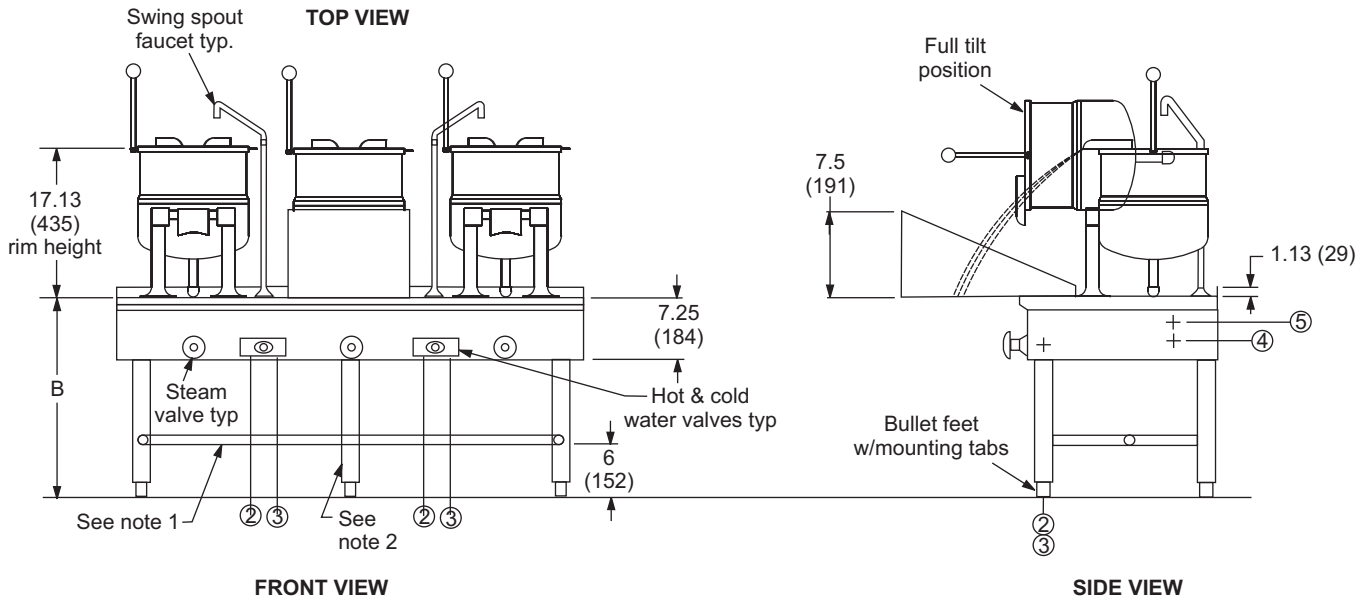
SERVICE CONNECTIONS FOR KETTLES

- ① Drain for sink 1-1/2" IPS
- ② Cold water supply: 3/8" NPT (for faucet)
- ③ Hot water supply: 3/8" NPT (for faucet)
- ④ Drain condensate: 1/2" NPT
- ⑤ Steam in from power source: 1/2"NPT

NOTES:

- 1. T-brace required on all tables 60" and longer.
- 2. Table sizes vary with size and number of kettles.
- 3. Dimensions are in inches (mm).

KT-(3)6DS-KTT shown



SHORT FORM SPECIFICATIONS
 Provide Blodgett tabletop 6DS-KTT (6 gallon) and/or 10DS-KTT (10 gallon) and/or 12DS-KTT (12 gallon) direct steam kettle on kettle table. Kettle mounting table shall be all stainless steel with convenient work height and 5" wide drain trough with removable sliding dump tray. Front mounted individual steam control valves provided with direct steam kettles and hot & cold water controls standard. Swing faucet positioned to fill one or two kettles as needed. Provide options and accessories as indicated.

SHIPPING INFORMATION:

Approx. Weight:

| | |
|----------------|-------------------|
| KT-6DS-KTT | 205 lbs. (93 kg) |
| KT-10DS-KTT | 240 lbs. (109 kg) |
| KT-12DS-KTT | 245 lbs. (111 kg) |
| KT-(2)6DS-KTT | 285 lbs. (129 kg) |
| KT-(3)6DS-KTT | 405 lbs. (184 kg) |
| KT-6-10-DS-KTT | 346 lbs. (157 kg) |
| KT-6-12-DS-KTT | 351 lbs. (159 kg) |

| | A | B | C |
|----------------|-----------|----------|----------|
| KT-6DS-KTT | 20 (508) | 23 (508) | 29 (737) |
| KT-10DS-KTT | 30 (762) | 25 (584) | 23 (508) |
| KT-12DS-KTT | 30 (762) | 25 (584) | 23 (508) |
| KT-(2)6DS-KTT | 40 (1016) | 23 (508) | 29 (737) |
| KT-(3)6DS-KTT | 63 (1600) | 23 (508) | 29 (737) |
| KT-6-10-DS-KTT | 48 (1219) | 25 (584) | 23 (508) |
| KT-6-12-DS-KTT | 48 (1219) | 25 (584) | 23 (508) |

MAXIMUM PRESSURE:

55 PSI (379 kPa) (optional higher working pressure is available)

NOTE: The company reserves the right to make substitutions of components without prior notice.

BLODGETT

www.blodgett.com

44 Lakeside Avenue, Burlington, VT 05401 • Phone: (802) 658-6600 • Fax: (802) 864-0183