



Synergy Steam

DS-KTT

Direct Steam Tabletop Tilting Kettle



OPTIONS AND ACCESSORIES

(AT ADDITIONAL CHARGE)

- Options and accessories list including Basket inserts, Lift off cover, Steam trap assemblies, and 316 stainless steel interior.



Project \_\_\_\_\_

Item No. \_\_\_\_\_

Quantity \_\_\_\_\_

- Model 10DS-KTT - 10 gallon (38 litres) direct steam tabletop tilting kettle
Model 12DS-KTT - 12 gallon (45 litres) direct steam tabletop tilting kettle

CONSTRUCTION

- Construction details including 304 stainless steel, 2/3 jacketed kettle, stainless steel surfaces, sturdy cast arms, steam piping details, reinforced rim, right side handle, rear leg stops, and ASME shop-inspected status.

STANDARD FEATURES

- One year parts and labor warranty\*

\* For all international markets, contact your local distributor.

DS-KTT TABLETOP TILTING KETTLE

BLODGETT

www.blodgett.com

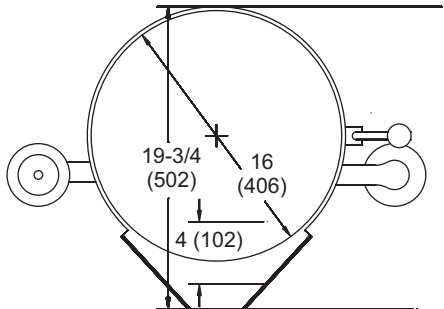
44 Lakeside Avenue, Burlington, VT 05401 • Phone: (802) 658-6600 • Fax: (802) 864-0183



# DS-KTT TABLETOP TILTING KETTLE



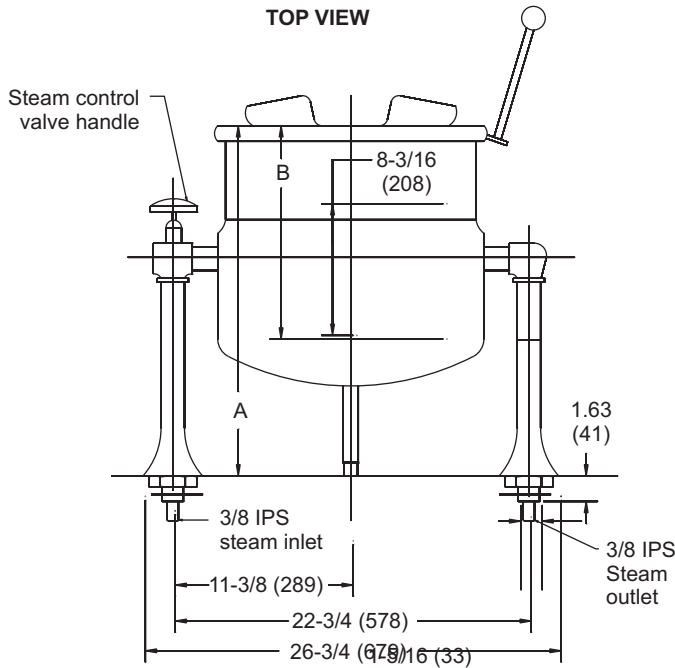
APPROVAL/STAMP



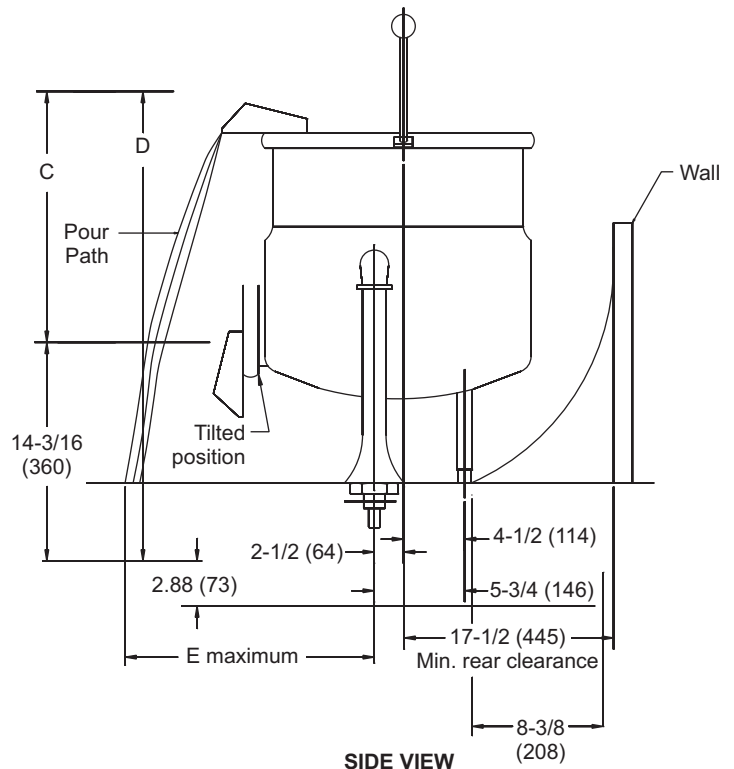
TOP VIEW

**NOTES:**

1. Dimensions are in inches (mm).



FRONT VIEW



SIDE VIEW

**SHORT FORM SPECIFICATIONS**

Provide Blodgett model 10DS-KTT (10 gallon) or 12DS-KTT (12 gallon) direct steam tabletop tilting kettle. Unit shall have full bottom hemisphere steam jacket with one piece welded construction of Type 304 stainless steel, and sturdy tubular support arms. Reinforced bar rim, with butterfly shaped pouring lip standard. Right side handle for controlled pouring of kettle contents. NSF listed, ASME code constructed and National Board registered. Operates dependably from 5 up to 55 PSI maximum. Integrated steam control valve standard. Steam and condensate connections required. Provide options and accessories as indicated.

	10DS-KTT	12DS-KTT
<b>A</b>	22.38 (568)	23.88 (606)
<b>B</b>	14.5 (368)	15.75 (400)
<b>C</b>	16.75 (425)	18.25 (464)
<b>D</b>	30.94 (762)	32.44 (824)
<b>E</b>	16 (406)	17.5 (445)

**MAXIMUM PRESSURE:**

55 PSI (379 kPa) (optional higher working pressure is available)

**NOTE:** The company reserves the right to make substitutions of components without prior notice.

**SHIPPING INFORMATION:**

**Approx. Weight:**

10DS-KTT 110 lbs. (50 kg)  
12DS-KTT 115 lbs. (52 kg)

**BLODGETT**

www.blodgett.com

44 Lakeside Avenue, Burlington, VT 05401 • Phone: (802) 658-6600 • Fax: (802) 864-0183