



# Synergy Steam

## E-KTT Electric Tabletop Tilting Kettle



### OPTIONS AND ACCESSORIES

(AT ADDITIONAL CHARGE)

- Etched markings
  - Gallons
  - Litres
- Faucets
  - Single pantry faucet
  - Double pantry faucet
  - Pre-rinse spray faucet with bracket
- 480 VAC, 3 phase, 60 Hz
- Lift off cover
- Cover holder
- Stand
- 316 stainless steel interior
- Kettle brush kit
- Lip strainer

Project \_\_\_\_\_

Item No. \_\_\_\_\_

Quantity \_\_\_\_\_

- Model 6E-KTT - 6 gallon (23 litres) electric tilting kettle
- Model 10E-KTT - 10 gallon (38 litres) electric tilting kettle
- Model 12E-KTT - 12 gallon (45 litres) electric tilting kettle

### CONSTRUCTION

- 304 stainless steel, one-piece welded construction
- 2/3 jacketed kettle
- All exposed surfaces shall be stainless steel
- Water tight gasketed housing protects the controls
- Kettle exterior is high buff polished stainless steel.
- ASME shop inspected, stamped and registered with the National Board for operation up to a maximum working pressure of 50 PSI.
- Stainless steel tubular legs with adjustable bullet feet
- Heavy reinforced bar rim with a welded-in butterfly shaped pouring lip for pouring control and durability
- Easy tilt mechanism - designed to make it possible for one person to tilt kettle, even when kettle is filled to capacity.

### OPERATION

- Kettle shall have an electric, self-contained steam source to provide kettle temperatures from 150°F to approximately 295°F
- Thermostatically controlled to shut off automatically when desired temperature is reached or on when temperature falls below desired setting
- Factory charged with chemically-pure water and rust inhibitors to ensure long life and minimum maintenance
- Smooth operating tilt mechanism
- All controls shall be contained in a stainless steel enclosure within easy reach of the operator
- Pouring height allows filling of 4" high pans on the table top.
- Thermostat
- Built in contactor
- Pressure gauge
- Water level sight glass
- Heat indicator light
- Safety tilt cut-off (cuts off heat when tilted to 12° and above)
- Pressure relief valve
- High limit pressure switch
- Low water cut-off

### STANDARD FEATURES

- Faucet bracket
- Tilt handle is field reversible for right or left.
- Standard voltage options (field convertible to single phase)
  - 208 VAC, 3 phase, 60 Hz
  - 240 VAC, 3 phase, 60 Hz
- One year parts and labor warranty\*

\* For all international markets, contact your local distributor.



E-KTT TABLETOP TILTING KETTLE

**BLODGETT**

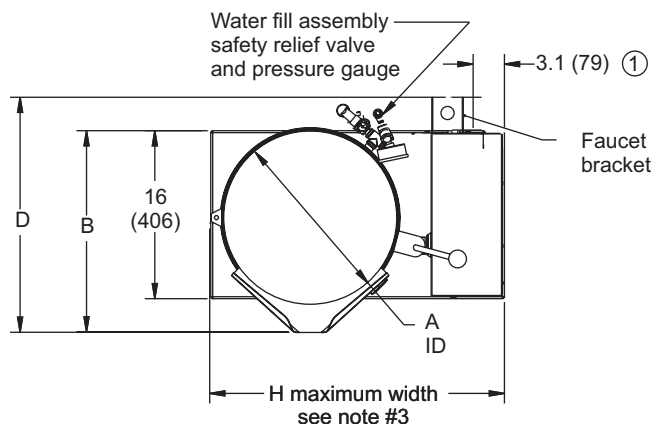
44 Lakeside Avenue, Burlington, VT 05401 • Phone: (802) 658-6600 • Fax: (802) 864-0183



# E-KTT TABLETOP TILTING KETTLE



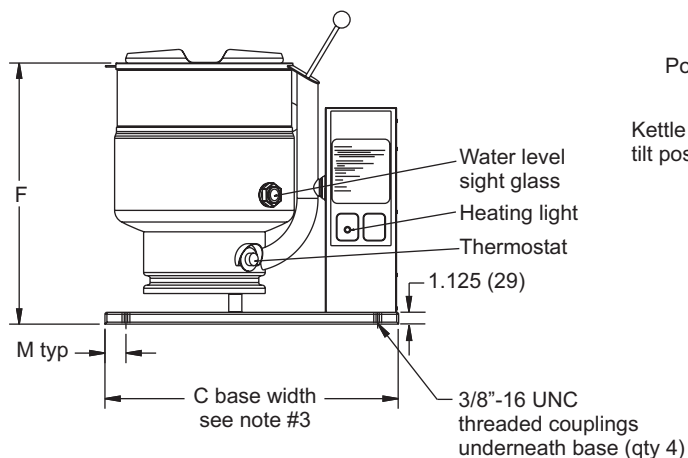
APPROVAL/STAMP



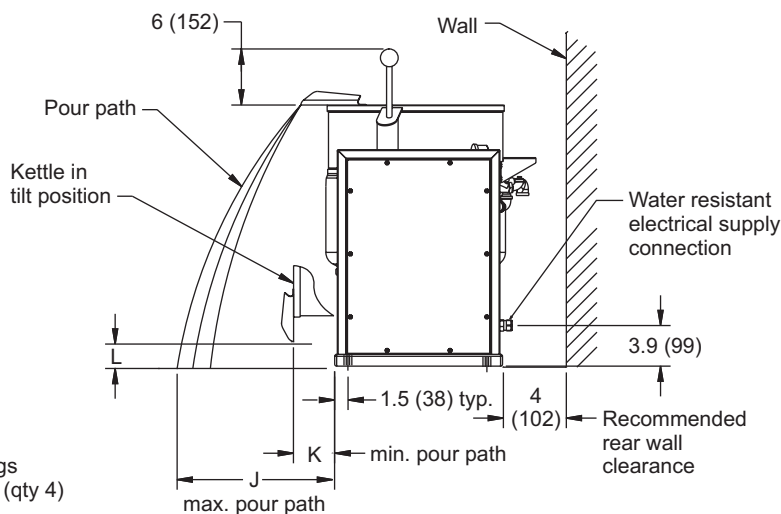
TOP VIEW

NOTES:

1. Electrical supply: 1/2" water resistant conduit (1" for 240V, 1 phase, 10E-KTT only).
2. Dimensions are in inches (mm).
3. Maximum width, 6E-KTT is 25.75 (654), 10E-KTT and 12E-KTT are 28 (711).



FRONT VIEW



SIDE VIEW

**SHORT FORM SPECIFICATIONS**

Provide Blodgett model 6E-KTT (6 gallon), 10E-KTT (10 gallon) and 12E-KTT (12 gallon) electric heated, stainless steel, steam jacketed kettle. Kettle body has one piece welded construction with heavy reinforced rim, controls in gasketed compartment and butterfly shaped pouring lip. NSF and U.L. listed, ASME code constructed for 50 PSI maximum. Thermostatically controlled to provide a range of temperatures between 150°F and approx. 295°F. Requires single electrical connection, specify 208/240 or 480 Volt, single or three phase. Provide options and accessories as indicated.

		208V		240V		480V	
Model	Phase	kW	Amps	kW	Amps	kW	Amps
6E-KTT	1	6.3	31	8.4	35	6.3	14
	3		18		20		8
10E-KTT & 12E-KTT	1	10.8	52	14.4	60	12.0	25
	3		30		35		15

	6E-KTT	10E-KTT	12E-KTT
<b>A</b>	14 (356)	16.5 (419)	16.5 (419)
<b>B</b>	17.6 (447)	19.2 (488)	19.2 (488)
<b>C</b>	24 (610)	28 (711)	28 (711)
<b>D</b>	20.8 (528)	22.4 (569)	22.4 (569)
<b>F</b>	24.6 (625)	25.1 (632)	27.3 (693)
<b>H</b>	25.6 (650)	28 (711)	28 (711)
<b>J</b>	16 (406)	18.5 (470)	19 (483)
<b>K</b>	5 (127)	7.5 (191)	9.8 (249)
<b>L</b>	5.5 (140)	4.3 (109)	4.3 (109)
<b>M</b>	1.5 (38)	2 (51)	2 (51)

**SHIPPING INFORMATION:**

**Approx. Weight:**

- 6E-KTT 120 lbs. (55 kg)
- 10E-KTT 190 lbs. (86 kg)
- 12E-KTT 195 lbs. (89 kg)

**NOTE:** The company reserves the right to make substitutions of components without prior notice.

**BLODGETT**

44 Lakeside Avenue, Burlington, VT 05401 • Phone: (802) 658-6600 • Fax: (802) 864-0183