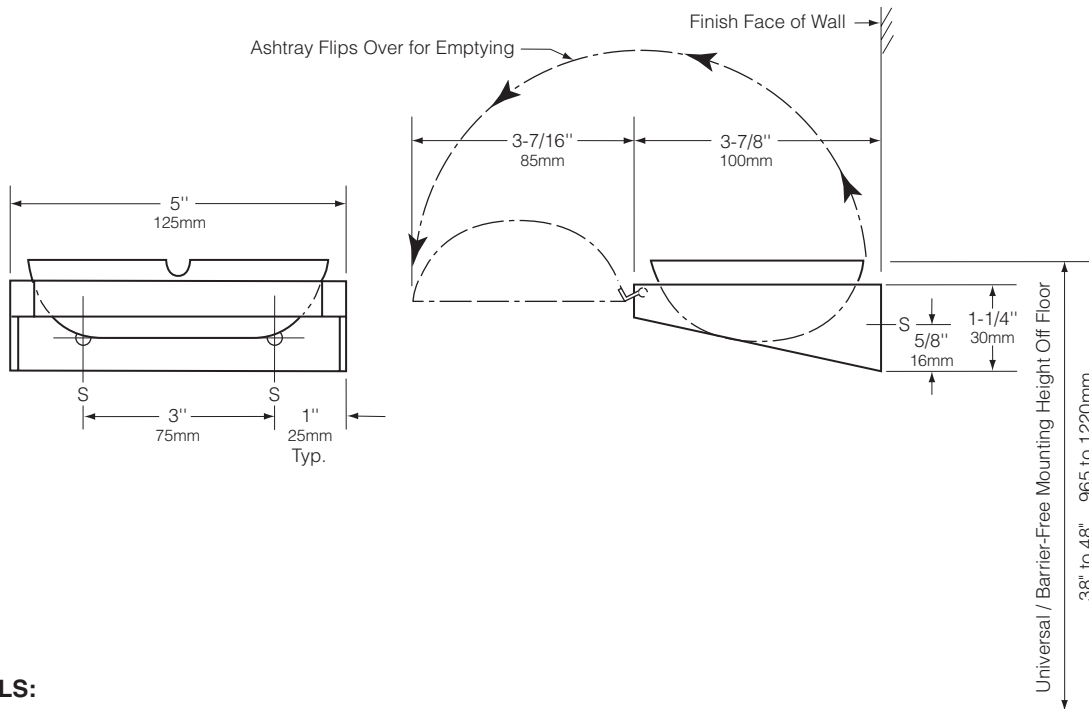




Technical Data

SURFACE-MOUNTED STAINLESS STEEL ASHTRAY

B-240



MATERIALS:

18-8 S, type-304, 18-gauge (1.2mm) stainless steel with satin finish. Integral welded hinge secures ashtray to mounting frame. Vandal-resistant.

OPERATION:

Ashtray flips over for servicing without removal from frame.

INSTALLATION:

Mount unit to wall with two #7 x 1-1/2" (3.8 x 38mm) sheet-metal screws (not furnished) at points indicated by an S. Provide a minimum clearance of 3-5/8" (92mm) from top of ashtray to underside of any horizontal projection. For plaster or dry wall construction, provide concealed backing to comply with local building codes, then secure unit with sheet-metal screws. For other wall surfaces, provide fiber plugs or expansion shields for use with sheet-metal screws, or provide 1/8" (3mm) toggle bolts or expansion bolts.

SPECIFICATION:

Surface-mounted ashtray shall be constructed of type-304, 18-gauge (1.2mm) stainless steel. All exposed surfaces shall have satin finish. Ashtray shall be secured to mounting frame with an integral welded hinge. Manufacturer's service and parts manual shall be provided to the building owner/manager upon completion of project.

Surface-Mounted Stainless Steel Ashtray shall be Model B-240 of Bobrick Washroom Equipment, Inc., Clifton Park, New York; Jackson, Tennessee; and Los Angeles, California; Bobrick Washroom Equipment Company, Scarborough, Ontario; Bobrick Washroom Equipment Pty. Ltd., Australia; and Bobrick Washroom Equipment Limited, United Kingdom.