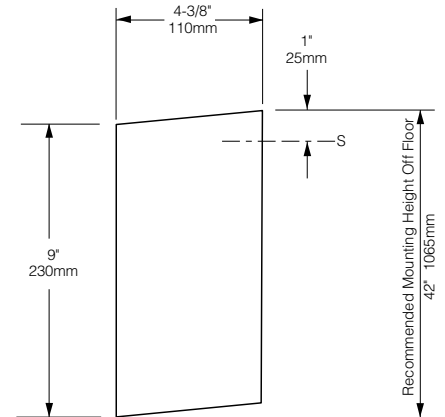
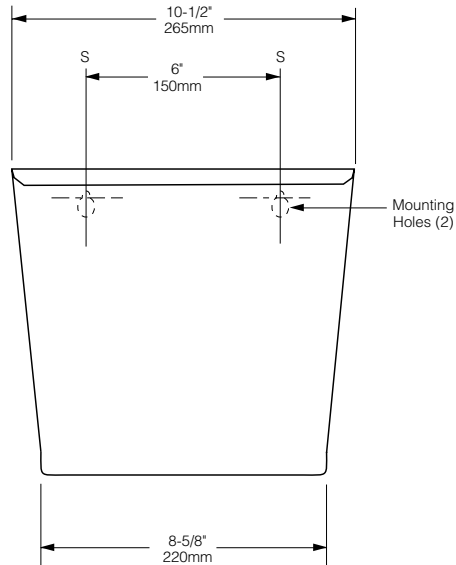




Technical Data

SURFACE-MOUNTED FACIAL TISSUE RECEPTACLE

B-261



MATERIALS:

18-8, type-304, 22-gauge (0.8mm) stainless steel with satin finish. Bottom edges are hemmed for safety. Capacity: 1-1/2-gal. (5.7-L).

INSTALLATION:

Mount unit on wall with sheet-metal screws, furnished by manufacturer, through two keyhole mounting holes indicated by an S. For plaster or dry wall construction, provide concealed backing to comply with local building codes and secure with sheet-metal screws furnished. For other wall surfaces, provide fiber plugs or expansion shields for use with sheet-metal screws furnished or provide 1/8" (3mm) toggle bolts or expansion bolts.

SPECIFICATION:

Surface-mounted facial tissue receptacle shall be type-304 stainless steel. All exposed surfaces shall have satin finish. Bottom edges shall be hemmed for safety. Capacity of receptacle shall be 1-1/2-gal. (5.7-L).

Surface-Mounted Facial Tissue Receptacle shall be Model B-261 of Bobrick Washroom Equipment, Inc., Clifton Park, New York; Jackson Tennessee; Los Angeles, California; Bobrick Washroom Equipment Company, Scarborough, Ontario; Bobrick Washroom Equipment Pty. Ltd., Australia; and Bobrick Washroom Equipment Limited, United Kingdom.