



Technical Data

SURFACE-MOUNTED NAPKIN/TAMPON VENDORS

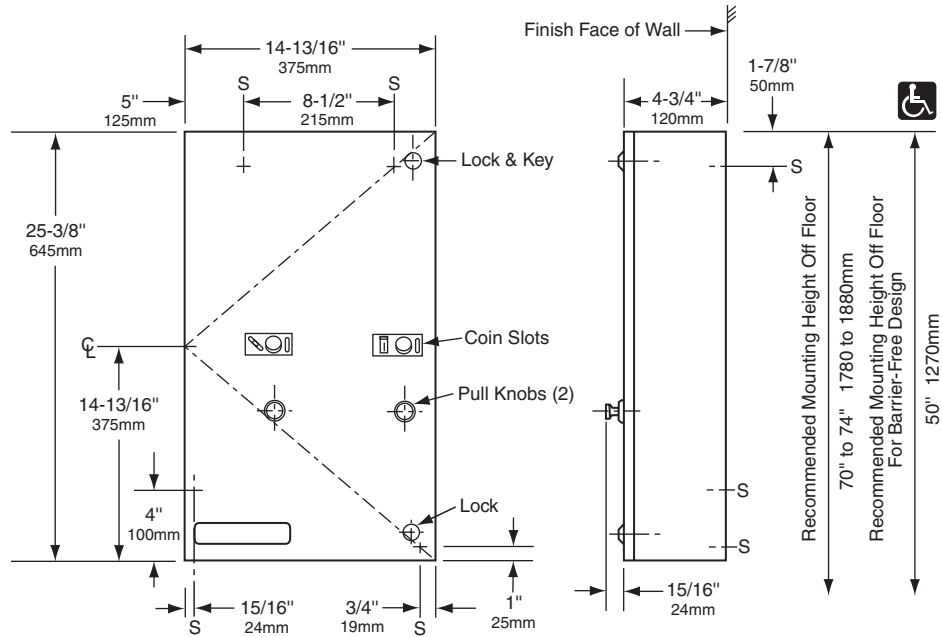
B-2800 SERIES

Specify Model Required:

- Model B-2800C Free no-coin operation
- Model B-2800 25 25¢ single-coin operation
- Model B-2800X2 50 50¢ double-coin operation



Patented



MATERIALS:

Cabinet — 18-8 S, type-304, 22-gauge (0.8mm) stainless steel with satin finish. All-welded construction.

Door — 18-8 S, type-304, 18-gauge (1.2mm) stainless steel with satin finish. 7/8" (22mm) 90° return edges for maximum rigidity. Secured to cabinet with a concealed, full-length stainless steel piano-hinge. Equipped with a stainless steel cable door-swing limiter and two tumbler locks keyed like other Bobrick washroom accessories. Door has no brand-name advertising for products dispensed. Can be replaced in the field. International graphic symbols identify product dispensed and coin denomination.

Coin Mechanisms (2) — Impact-resistant ABS with satin-finish aluminum pull knobs. Coin mechanisms can be converted in the field to any standard coin denomination without having to purchase new coin mechanisms (no-coin, single-coin, or double-coin operation). Each coin box is equipped with a tumbler lock that opens with different key than furnished for door locks. Coinage is designated by symbols on metal plate, which can be changed only from inside the door.

Designer's Note: If change of coin denomination is desired after installation, order Bobrick Coin Plate Replacement Kit for the desired coinage.

OPERATION:

After coin is inserted in dispensing mechanism of patron's choice, pulling appropriate handle dispenses boxed sanitary napkin or tampon tube. Pull knobs operate with one hand, without tight grasping, pinching, or twisting of the wrist, and with less than 5 pounds of force (22.2 N) to comply with barrier-free accessibility guidelines (including ADAAG in U.S.A.). Coin slot of each dispensing mechanism is identified by an international graphic symbol. Capacity: 31 sanitary napkins and 22 tampons. Coin slots are blocked when supply is depleted. Cable door-swing limiter prevents damage to washroom accessories and walls. Vendor dispenses sanitary napkin packages measuring 3" x 1" x 4-1/4" (76 x 25 x 108mm) and tampon packages measuring 5-1/8" long x 11/16" diameter (130 x 17mm).

continued . . .

INSTALLATION:

Mount unit on wall with four #8 x 1-1/4" (M4.2 x 32mm) sheet-metal screws (not furnished) at points indicated by an S. For plaster or dry wall construction, provide concealed backing to comply with local building codes, then secure unit with sheet-metal screws. For other wall construction, provide fiber plugs or expansion shields for use with sheet-metal screws, or provide 1/8" (3mm) toggle bolts or expansion bolts. If unit projects above top of wainscot, provide aluminum channel or other filler to eliminate gap between unit and finish face of wall.

SPECIFICATION:

Surface-mounted sanitary napkin/tampon vendor shall combine two dispensing mechanisms in one cabinet to provide sanitary napkins or tampons at user's option. Dispensing mechanisms shall be pre-set at factory for _____ (insert one: Free, 25¢, or 50¢) operation, but shall be convertible in the field to allow the change of coin denomination without purchasing new mechanisms or removing unit from wall. Door shall be furnished with metal plates indicating specified coin denomination. Unit shall be type-304 stainless steel with all-welded construction; exposed surfaces shall have satin finish. Door shall be 18 gauge (1.2mm); have 7/8" (22mm) 90° return edges; be secured to cabinet with a concealed, full-length stainless steel piano-hinge; and equipped with a stainless steel cable door-swing limiter and two tumbler locks keyed like other Bobrick washroom accessories. Pull knobs shall be operable with one hand and with less than 5 pounds of force (22.2 N) to comply with barrier-free accessibility guidelines (including ADAAG in U.S.A.). Each coin box shall be equipped with a tumbler lock that is keyed differently than door locks. Unit shall not carry brand-name advertising. Manufacturer's service and parts manual shall be provided to building owner/manager upon completion of project.

Surface-Mounted Sanitary Napkin/Tampon Vendor shall be Model _____ (insert model number) of Bobrick Washroom Equipment, Inc., Clifton Park, New York; Jackson, Tennessee; Los Angeles, California; Bobrick Washroom Equipment Company, Scarborough, Ontario; Bobrick Washroom Equipment Pty. Ltd., Australia; and Bobrick Washroom Equipment Limited, United Kingdom.