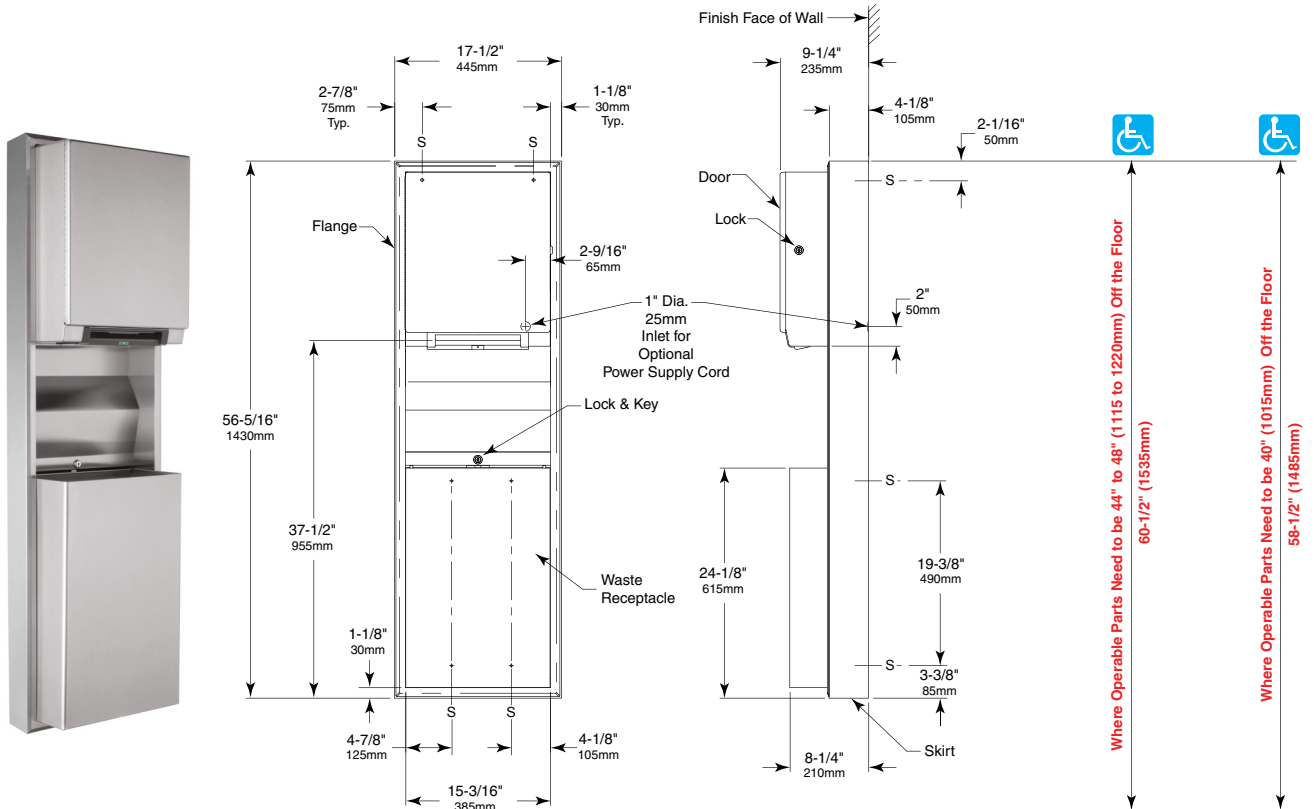




Technical Data

**ClassicSeries®
SURFACE-MOUNTED CONVERTIBLE
AUTOMATIC UNIVERSAL
ROLL PAPER TOWEL DISPENSER
AND WASTE RECEPTACLE**

B-3979



MATERIALS:

Cabinet — 18-8, Type-304, heavy-gauge stainless steel. Welded construction. Exposed surfaces have satin-finish. Equipped with a tumbler lock keyed like other Bobrick washroom accessories.

Flange — 18-8, Type-304, 22-gauge (0.8mm) stainless steel with satin-finish. Drawn and beveled, one-piece, seamless construction.

Door — 18-8, Type-304, 20-gauge (0.9mm) stainless steel with satin-finish. Drawn, one-piece, seamless construction. Secured to cabinet with full-length, stainless steel piano-hinge. Equipped with a tumbler lock keyed like other Bobrick washroom accessories.

Automatic Roll Towel Dispenser — Durable, high-impact resin materials. Accepts universal standard-core, non-perforated rolls 8" (205mm) wide, 8" (205mm) diameter. 800 ft (244 m) long. Dispenses one towel per dispense and can be set to dispense paper towels at three different lengths. Accommodates up to 3-1/2" (90mm) diameter stub roll with automatic transfer to full roll.

Waste Receptacle — 18-8, Type-304, 22-gauge (0.8mm) stainless steel with satin finish. Edges hemmed for safe handling. Secured to cabinet with a tumbler lock keyed like other Bobrick washroom accessories. Capacity: 12-gal. (45.5-L).

continued . . .

OPERATION:

Electronic sensor automatically dispenses towel when hands are placed under the towel opening. Intuitive LED light directs patrons to dispense area. Dispenses universal, 1-1/2" to 2" (38 to 51mm) diameter core, up to 8" (205mm) diameter, 8" (205mm) wide, non-perforated, non-proprietary paper towel rolls. LED light at the towel opening flashes green when dispenser is ready to dispense, flashes orange, indicating low battery, flashes red if not ready to dispense or in need of service. Towel length can be set to 9" (230mm), 12" (305mm), 15" (380mm). Optional "Paper Saver" feature allows a shorter second sheet to dispense immediately after the first sheet. The "Paper Saver" feature has two second sheet length options: 25% shorter sheet length or 12.5% shorter sheet length. The battery pack power source holds 4 "D" size alkaline batteries (not furnished). Dispenser includes a 3-1/2" (90mm) diameter stub roll feature. When the stub roll is depleted, main roll automatically starts dispensing without the need to open the dispenser.

To empty waste receptacle, unlock with key provided.

NOTE: LinerMate® sold as an optional accessory to accommodate disposable trash liners. LinerMate eliminates unsightly trash liner overhang and facilitates installation and removal of disposable trash liners in the 12-gallon waste receptacle.

Options:

- Folded Towel Dispenser Module convertible in field: order Bobrick Part No. 3944-52.
- Mechanical (Non-Automatic) Universal Touch-Free Roll Towel Dispenser Module convertible in field: order Bobrick Part No. 3961-50.
- 18-gallon (68 L) Waste Receptacle: order Bobrick Part No. 368-60.
- Reusable Vinyl Liner: order Bobrick Part No. 368-16.
- LinerMate® for 12-gal (45.5 L) waste only: order Bobrick Part No. 3944-134.

POWER REQUIREMENTS:

Dispenser is powered by 4 "D" size alkaline batteries (not furnished) or a 6 volt DC power supply. Power supply is an optional accessory: order Bobrick AC Adapter Kit Part No. 3974-57. (For non-U.S. compatible plugs, order Part No. 3974-55).

INSTALLATION:

Mount unit on wall with #8 x 1-1/4" (4.2 x 32mm) sheet-metal screws, (not furnished), at points indicated by an S. For plaster or dry wall construction, provide concealed backing to comply with local building codes, then secure unit with #8 x 1-1/4" (4.2 x 32mm) sheet-metal screws (not furnished). For other wall surfaces, provide fiber plugs or expansion shields for use with #8 x 1-1/4" (4.2 x 32mm) sheet-metal screws not furnished, or provide 1/8" (3mm) toggle bolts or expansion bolts. If unit projects above top of wainscot, provide aluminum channel or other filler to eliminate gap between shirt and finish face of wall.

Open battery cover at the front of the dispenser and install 4 "D" size alkaline batteries. Select sheet length and "Paper Saver" mode using the switches to the right of the batteries. Load paper towel using the instructions on the dispenser.

Electrical supply for use with 6 volt DC power supply must be installed per applicable building codes.

SPECIFICATION:

Recessed convertible automatic universal roll paper towel dispenser and waste receptacle shall be Type-304 stainless steel with welded construction; exposed surfaces shall have satin-finish. Flange shall be drawn and beveled, one-piece, seamless construction. Door shall be secured to cabinet with a full-length stainless steel piano-hinge and equipped with a concealed tumbler lock keyed like other Bobrick washroom accessories. No-touch dispenser, equipped with an intuitive LED light to direct patrons to the dispense area, dispenses universal, 1-1/2" to 2" (38 to 51mm) diameter core, up to 8" (205mm) diameter, 8" (205mm) wide, non-perforated, non-proprietary paper towel rolls, 800 ft (244 m) long. Dispenser automatically dispenses towel when hands are placed under the towel opening. Dispenser can be powered by 4 "D" size alkaline batteries or an optional 6 volt DC power supply. Equipped with switches that allow paper length to be set at 9" (230mm), 12" (305mm) or 15" (380mm) and "Paper Saver" feature that provides a shorter second sheet with options of 25% shorter and 12.5% shorter. LED light at the towel opening flashes green when dispenser is ready to dispense, flashes orange, indicating low battery, flashes red if not ready to dispense or in need of service. Automatic transfer shall dispense stub roll up to 3-1/2" (90mm) diameter before new main roll is automatically dispensed. Removable waste receptacle shall be secured to cabinet with a tumbler lock, edges hemmed for safe handling, and shall have a minimum capacity of 12-gal. (45.5-L).

Surface-Mounted Convertible Automatic Universal Roll Paper Towel Dispenser And Waste Receptacle shall be Model B-3979 of Bobrick Washroom Equipment, Inc., Clifton Park, New York; Jackson, Tennessee; Los Angeles, California; Bobrick Washroom Equipment Company, Scarborough, Ontario; Bobrick Washroom Equipment Pty. Ltd., Australia; and Bobrick Washroom Limited, United Kingdom.