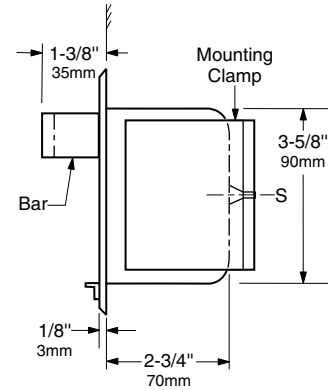
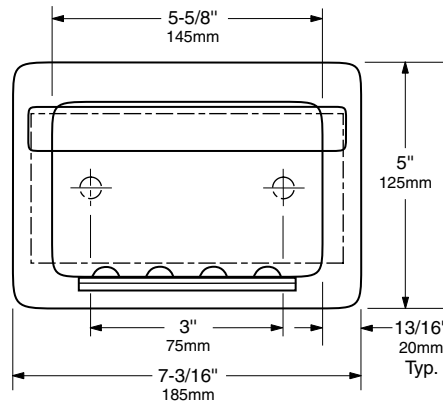




Technical Data

**RECESSED HEAVY-DUTY SOAP DISH WITH BAR
(FOR STUD WALLS)**

B-4390



Rough Wall Opening
6" (150mm) wide
4" (100mm) high
4" (100mm) minimum recessed depth

MATERIALS:

Shell and Flange — 18-8 S, type-304, 19-gauge (1.0mm) stainless steel with matte polished finish. Drawn and beveled, one-piece, seamless construction with two countersunk mounting holes.

Retaining Lip — 18-8 S, type-304, 22-gauge (0.8mm) stainless steel with matte polished finish.

Bar — 18-8 S, type-304, 3/16" (4.8mm) thick stainless steel with matte polished finish.

INSTALLATION:

Provide framed rough wall opening 6" wide x 4" high (150 x 100mm). Minimum recessed depth to finish face of wall is 4" (100mm). Insert unit into rough wall opening, then secure unit with two sheet-metal screws furnished. Backing must comply with local building codes.

SPECIFICATION:

Recessed heavy-duty soap dish with bar shall be type-304 stainless steel with matte polished finish. Shell and flange shall be 19 gauge (1.0mm) with drawn and beveled, one-piece, seamless construction. Bar shall be 3/16" (5mm) thick stainless steel and is welded to front of shell flange. Unit shall be equipped with a 22-gauge (0.8mm) retaining lip and furnished with machine screws.

Recessed Heavy-Duty Soap Dish With Bar shall be Model B-4390 of Bobrick Washroom Equipment, Inc., Clifton Park, New York; Jackson, Tennessee; Los Angeles, California; Bobrick Washroom Equipment Company, Scarborough, Ontario; Bobrick Washroom Equipment Pty. Ltd., Australia; and Bobrick Washroom Equipment Limited, United Kingdom.