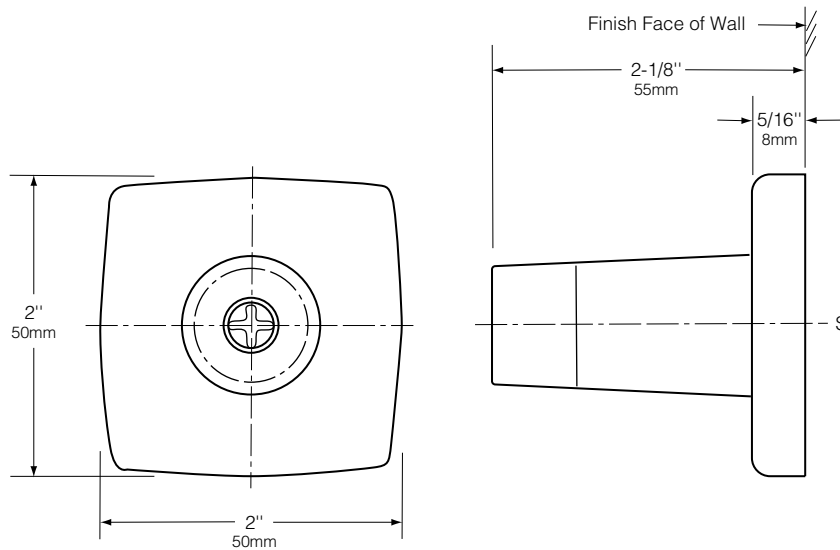




Technical Data

SURFACE-MOUNTED DOOR BUMPER

**B-687
B-6877**



MATERIALS:

Post — Black nylon.

Bumper — Black neoprene.

Base — 18-8 S, type-304, 22-gauge (0.8mm) stainless steel.

INSTALLATION:

Mount unit on wall with sheet-metal screw furnished by manufacturer at point indicated by an S.

SPECIFICATION:

Surface-mounted door bumper shall have base constructed of type-304 stainless steel with bright polished finish. Unit shall be equipped with black neoprene bumper. Manufacturer's service and parts manual shall be provided to the building owner/manager upon request.

Surface-Mounted Door Bumper shall be Model B-687 of Bobrick Washroom Equipment, Inc., Clifton Park, New York; Jackson, Tennessee; Los Angeles, California; Bobrick Washroom Equipment Company, Scarborough, Ontario; Bobrick Washroom Equipment Pty. Ltd., Australia; and Bobrick Washroom Equipment Limited, United Kingdom.