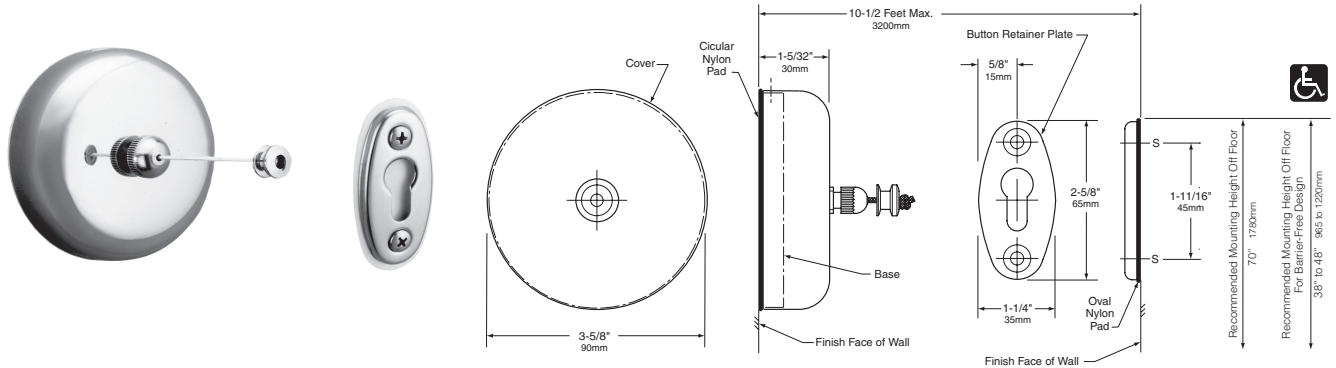




Technical Data

SURFACE-MOUNTED RETRACTABLE CLOTHESLINE

B-7636



MATERIALS:

Cover and Base — 25 Gauge (0.5mm), Type-304 Stainless Steel, with bright polished finish cover, 26 Gauge (0.4mm) Stainless Steel Base with chrome plated ABS Knob. Spring Actuated Spring Coil with 10-foot (3050mm) Nylon Cord.

Mounting Bracket — 17 Gauge (1.5mm), Type-304 Stainless Steel.

Padding — White nylon circular pad and white oval nylon pad.

Button Retainer Plate — 25 Gauge (0.5mm), Type-304 Stainless Steel.

Screws — #8 x 1" (25mm) Round Head Stainless Steel Sheet Metal (x2), #10 x 1" (25mm) Oval Head Stainless Steel Sheet Metal (x2), M3 x 5/16" (8.0mm) Flat Head Stainless Steel Machine Set Screw (x1).

OPERATION:

Pull out clothesline and hook Cord Knob into Retainer Plate on opposite wall. Turn Center Locking Knob clockwise to keep cord from sagging when in use. Nylon is retracted automatically by spring-actuated reel when center locking knob is released.

INSTALLATION:

Use white Circular Nylon Pad furnished to mark mounting screw holes for Bracket. Drill mounting screw holes in wall. Place white Circular Nylon Pad between wall and Mounting Bracket. Attach Mounting Bracket (flat section against Pad, right angle bend with set screw hole at the top, triple bend end on the bottom) to wall with #8 x 1" (25mm) long round head stainless steel sheet metal screws furnished. Mount Button Retainer Plate on wall opposite clothesline, no more than 10 feet (3050mm) apart. To level cord, position top of Button Retainer Plate at the same height from the floor as the top of the Mounting Bracket. Use white Oval Nylon Pad furnished to mark Button Retainer Plate mounting screw holes on wall. Drill mounting screw holes in wall. Place white Oval Nylon Pad between wall and Button Retainer Plate. Attach Button Retainer Plate (Narrow portion of keyhole should point down) to wall with #10 x 1" (25mm) long oval head stainless steel sheet metal screws furnished. Place Clothesline on Mounting Bracket and secure with M3 x 5/16" (8mm) long flat head stainless steel machine set screw furnished. For Plaster or dry wall construction, provide concealed backing to comply with local building codes and secure with screws furnished. For other wall surfaces, provide fiber plugs or expansion shields for use with screws furnished, or provide 1/8" (3mm) toggle bolts or expansion bolts.

SPECIFICATION:

Surface-mounted retractable clothesline shall be type-304 stainless steel with bright polished finish. Unit shall have button retainer and 10 foot (3050mm) Nylon cord. Equipped with locking device to keep cord from sagging when in use. When center locking knob is released, unit shall retract automatically by spring-actuated reel.

Surface-Mounted Retractable Clothesline shall be Model B-7636 of Bobrick Washroom Equipment, Inc., Clifton Park, New York; Jackson, Tennessee; Los Angeles, California; Bobrick Washroom Equipment Company, Scarborough, Ontario; Bobrick Washroom Equipment Pty. Ltd., Australia; and Bobrick Washroom Equipment Limited, United Kingdom.